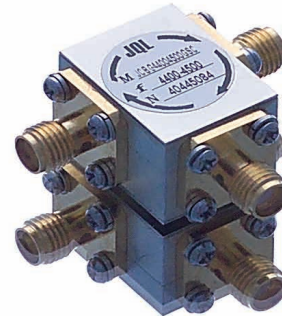


Coaxial Circulators

- Broad Selection of Frequency and Bandwidth (0.3GHz-18GHz, from 3% to Full Bandwidth)
- Military, Space and Commercial Applications
- High Power Handling
- High Typical Isolation Above 25dB Per Junction
- Low Typical Insertion Loss Below 0.3dB
- Low IMD Design
- SMA-M/F, N-M/F, Removable SMA Connectors
- Wide Operation Temperature Range
- Custom Design Available Upon Request (see select-a-frequency section)



NARROWBAND COAXIAL CIRCULATOR

FREQUENCY (GHz)		MODEL	ISOLATION	INS LOSS	VSWR	OPERATING	PWR HANDLING	CONNECTOR	SIZE L*W*H	PACKAGE
F1	F2	NUMBER	(dB) MIN	(dB) MAX	MAX	TEMP(°C)	AVG (W)	TYPE	(mm)	CODE
0.380	0.460	JCC0380T0460N20	20	0.40	1.25	-15~+60	200	SMA or N	52*58*22	CC01
0.390	0.450	JCC0390T0450N20	20	0.40	1.25	-15~+60	200	SMA or N	52*58*22	CC01
0.420	0.450	JCC0420T0450N20	25	0.30	1.20	-15~+60	150	SMA or N	44*50*21	CC02
0.800	0.960	JCC0800T0960N10	20	0.40	1.25	-30~+70	100	SMA or N	30*33*20	CC04
0.800	0.960	JCC0800T0960S10	20	0.40	1.25	-30~+70	100	SMA	30*33*15	CC08
0.850	0.950	JCC0850T0950N6	20	0.40	1.25	-30~+70	100	SMA or N	30*33*20	CC04
0.850	0.950	JCC0850T0950S10	20	0.40	1.25	-30~+70	100	SMA	30*33*15	CC08
0.869	0.894	JCC0869T0894N15	23	0.30	1.20	-30~+70	150	SMA or N	35*38*20	CC03
0.869	0.894	JCC0869T0894N10	23	0.30	1.20	-30~+70	100	SMA or N	30*33*20	CC04
0.869	0.894	JCC0869T0894S10	23	0.30	1.20	-30~+70	100	SMA	30*33*15	CC08
0.925	0.960	JCC0925T0960N15	23	0.30	1.20	-30~+70	150	SMA or N	35*38*20	CC03
0.925	0.960	JCC0925T0960N10	23	0.30	1.20	-30~+70	100	SMA or N	30*33*20	CC04
0.925	0.960	JCC0925T0960S10	23	0.30	1.20	-30~+70	100	SMA	30*33*15	CC08
0.925	1.213	JCC0962T1213N15	20	0.50	1.25	-30~+70	150	SMA or N	30*33*20	CC04
0.925	1.213	JCC0962T1213N20	20	0.50	1.25	-30~+70	200	SMA or N	47.8*48.8*18.8	CC06
0.925	1.213	JCC0962T1213S15	20	0.50	1.25	-30~+70	150	SMA	30*33*15	CC08
1.000	1.100	JCC1000T1100N6	20	0.40	1.25	-30~+70	60	SMA or N	25.4*28.5*20	CC05
1.000	1.100	JCC1000T1100S6	20	0.40	1.25	-30~+70	60	SMA	25*25*15	CC07
1.200	1.400	JCC1200T1400N6	20	0.40	1.25	-30~+70	60	SMA or N	25.4*28.5*20	CC05
1.200	1.400	JCC1200T1400S6	20	0.40	1.25	-30~+70	60	SMA	25*25*15	CC07
1.435	1.535	JCC1435T1535N6	21	0.35	1.20	-30~+70	60	SMA or N	25.4*28.5*20	CC05
1.435	1.535	JCC1435T1535S6	21	0.35	1.20	-30~+70	60	SMA	25*25*15	CC07
1.500	1.600	JCC1500T1600N6	21	0.35	1.20	-30~+70	60	SMA or N	25.4*28.5*20	CC05
1.500	1.600	JCC1500T1600S6	21	0.35	1.20	-30~+70	60	SMA	25*25*15	CC07
1.600	1.800	JCC1600T1800N6	20	0.40	1.25	-30~+70	60	SMA or N	25.4*28.5*20	CC05
1.600	1.800	JCC1600T1800S6	20	0.40	1.25	-30~+70	60	SMA	25*25*15	CC07
1.800	2.100	JCC1800T2100S2	20	0.40	1.20	-30~+70	20	SMA or N	28*30*19	CC11
1.805	1.880	JCC1805T1880N3	25	0.30	1.20	-30~+70	60	SMA or N	28*30*19	CC11
1.805	1.880	JCC1805T1880S3	25	0.30	1.20	-30~+70	60	SMA	20*25.4*15	CC12
1.805	2.400	JCC1805T2400S0	18	0.60	1.25	-30~+70	5	SMA	25*25*15	CC07
1.805	2.400	JCC1805T2400N2	18	0.60	1.25	-30~+70	20	SMA or N	25*25*16	CC07
1.920	2.170	JCC1920T2170S0	22	0.35	1.20	-30~+70	5	SMA	25*25*15	CC07
1.920	2.170	JCC1920T2170N2	22	0.35	1.20	-30~+70	20	SMA or N	28*30*19	CC11
1.930	1.990	JCC1930T1990N3	25	0.30	1.20	-30~+70	60	SMA or N	28*30*19	CC11
1.930	1.990	JCC1930T1990S6	25	0.30	1.20	-30~+70	60	SMA	20*25.4*15	CC12



JQL ELECTRONICS INC.

1-888-236-9828 (USA)

1-630-930-9917 (International)

sales@jqlelectronics.com

Coaxial Circulators

NARROWBAND COAXIAL CIRCULATOR										
FREQUENCY (GHz)		MODEL	ISOLATION	INS LOSS	VSWR	OPERATING	PWR HANDLING	CONNECTOR	SIZE L*W*H	PACKAGE
F1	F2	NUMBER	(dB) MIN	(dB) MAX	MAX	TEMP(°c)	AVG (W)	TYPE	(mm)	CODE
2.000	2.330	JCC2000T2330S3	20	0.40	1.20	-30~+70	20	SMA or N	28*30*19	CC11
2.070	2.140	JCC2070T2140N3	23	0.30	1.20	-30~+70	20	SMA or N	28*30*19	CC11
2.070	2.140	JCC2070T2140S3	23	0.30	1.20	-30~+70	30	SMA	20*25.4*15	CC12
2.100	2.500	JCC2100T2500N2	20	0.40	1.20	-30~+70	20	SMA or N	28*30*19	CC11
2.200	2.300	JCC2200T2300S2	23	0.30	1.20	-30~+70	20	SMA or N	28*30*19	CC11
2.200	2.300	JCC2200T2300S2	23	0.30	1.20	-30~+70	20	SMA	25*25*15	CC13
2.200	2.500	JCC2200T2500N2	20	0.40	1.20	-30~+70	20	SMA or N	28*30*19	CC11
2.200	2.500	JCC2200T2500S2	20	0.40	1.20	-30~+70	20	SMA	25*25*15	CC13
2.300	2.500	JCC2300T2500S6	23	0.30	1.20	-30~+70	60	SMA	25*25*15	CC13
2.500	2.700	JCC2500T2700N2	23	0.30	1.20	-30~+70	20	SMA or N	28*30*19	CC11
2.500	2.700	JCC2500T2700S2	23	0.30	1.20	-30~+70	20	SMA	25*25*15	CC13
2.700	3.100	JCC2700T3100N2	20	0.40	1.20	-30~+70	20	SMA or N	28*30*19	CC11
2.700	3.100	JCC2700T3100S2	20	0.40	1.20	-30~+70	20	SMA	25*25*15	CC13
3.000	3.500	JCC3000T3500N2	19	0.50	1.25	-30~+70	20	SMA or N	28*30*19	CC11
3.000	3.500	JCC3000T3500S2	19	0.50	1.25	-30~+70	20	SMA	25*25*15	CC13
3.400	4.200	JCC3400T4200S2	20	0.40	1.20	-40~+75	20	SMA	16*21*14	CC16
3.700	4.200	JCC3700T4200S2	20	0.40	1.20	-40~+75	20	SMA	16*21*14	CC16
3.700	4.200	JCC3700T4200N2	20	0.40	1.20	-40~+75	20	SMA or N	20*24*18	CC17
4.200	4.400	JCC4200T4400S2	23	0.30	1.20	-40~+75	20	SMA	16*21*14	CC16
4.200	4.400	JCC4200T4400N2	23	0.30	1.20	-40~+75	20	SMA or N	20*24*18	CC17
5.150	5.650	JCC5150T5650S2	20	0.40	1.20	-40~+75	20	SMA	16*21*14	CC16
5.150	5.650	JCC5150T5650N2	20	0.40	1.20	-40~+75	20	SMA or N	20*24*18	CC17
5.400	5.900	JCC5400T5900S2	20	0.40	1.20	-40~+75	20	SMA	16*21*14	CC16
5.400	5.900	JCC5400T5900N2	20	0.40	1.20	-40~+75	20	SMA or N	20*24*18	CC17
5.850	6.650	JCC5850T6650S2	20	0.40	1.20	-40~+75	20	SMA	16*21*14	CC16
5.850	6.650	JCC5850T6650S2	20	0.40	1.20	-40~+75	20	SMA or N	20*24*18	CC17
6.500	7.200	JCC6500T7200S2	20	0.40	1.20	-40~+75	10	SMA	15*19*13	CC20
6.700	7.100	JCC6700T7100S1	20	0.40	1.20	-40~+75	10	SMA	15*19*13	CC20
6.710	7.420	JCC6710T7420S1	23	0.30	1.20	-40~+75	10	SMA	15*19*13	CC20
7.000	7.000	JCC7000T8000S1	20	0.40	1.20	-30~+80	10	SMA	15*19*13	CC20
7.000	7.700	JCC7000T7700S1	20	0.40	1.20	-40~+75	10	SMA	15*19*13	CC20
7.700	8.300	JCC7700T8300S1	20	0.35	1.20	-40~+75	10	SMA	15*19*13	CC20
7.825	8.475	JCC7825T8475S1	20	0.40	1.20	-40~+75	10	SMA	15*19*13	CC20
8.500	9.600	JCC8500T9600S1	20	0.40	1.20	-40~+75	10	SMA	15*19*13	CC20
10.000	12.000	JCC10K0T12K0S1	20	0.50	1.25	-40~+75	10	SMA	15*19*13	CC20
10.500	11.300	JCC10K5T11K3S1	20	0.40	1.20	-40~+75	10	SMA	15*19*13	CC20
11.000	12.000	JCC11K0T12K0S1	20	0.40	1.20	-40~+75	10	SMA	15*19*13	CC20
11.000	12.790	JCC11K0T12K8S1	20	0.50	1.25	-40~+75	10	SMA	15*19*13	CC20
11.450	12.750	JCC11K4T12K8S1	23	0.30	1.25	-40~+75	10	SMA	15*19*13	CC20
12.000	12.800	JCC12K0T12K8S1	23	0.30	1.25	-40~+75	10	SMA	15*19*13	CC20
12.750	14.500	JCC12K7T14K5S1	20	0.40	1.25	-40~+75	10	SMA	15*19*13	CC20
13.000	15.000	JCC13K0T15K0S1	20	0.40	1.25	-40~+75	10	SMA	15*19*13	CC20
15.000	18.000	JCC15K0T18K0S1	20	0.50	1.20	-40~+75	10	SMA	15*19*13	CC20



1231 Ranch View Court, Buffalo Grove, IL 60089 USA
 Tel: 1 (888) 236-9828 or 1 (630) 930-9917 Fax: 1-630-756-0017
 Website: www.jqlelectronics.com email: sales@jqlelectronics.com

Coaxial Circulators

BROADBAND COAXIAL CIRCULATOR										
FREQUENCY (GHz)		MODEL	ISOLATION	INS LOSS	VSWR	OPERATING	PWR HANDLING	CONNECTOR	SIZE L*W*H	PACKAGE
F1	F2	NUMBER	(dB) MIN	(dB) MAX	MAX	TEMP(°c)	AVG (W)	TYPE	(mm)	CODE
1.0	2.0	JCC1000T2000N3	15	0.70	1.40	-15~+60	30	SMA or N	70*80*21	CC14
2.0	4.0	JCC2000T4000N2	16	0.60	1.40	-30~+70	20	SMA or N	32*34*18	CC15
3.0	6.0	JCC3000T6000S2	16	0.60	1.40	-30~+70	20	SMA	25.4*27.5*13	CC18
3.4	4.2	JCC3400T4200S2	18	0.50	1.30	-30~+70	20	SMA	25.4*27.5*13	CC18
4.0	5.0	JCC4000T5000S2	20	0.40	1.30	-30~+70	20	SMA	25.4*27.5*13	CC18
4.0	8.0	JCC4000T8000S2	18	0.60	1.30	-30~+70	20	SMA	25.4*25.4*12.7	CC19
6.0	12.0	JCC6000T12K0S2	16	0.60	1.40	-40~+75	20	SMA	16*21*13	CC21
6.0	18.0	JCC6000T18K0S1	12	1.50	1.80	-40~+75	10	SMA	19*20*13	CC10
6.5	18.0	JCC6500T18K0S1	12	1.50	1.80	-40~+75	10	SMA	19*20*13	CC10
8.0	12.0	JCC8000T12K0S1	18	0.60	1.35	-40~+75	10	SMA	15*19*13	CC20
8.0	18.0	JCC8000T18K0S1	16	0.80	1.50	-40~+75	10	SMA	15*21*13	CC09
10.0	15.0	JCC10K0T15T0S1	18	0.60	1.35	-40~+75	10	SMA	15*19*13	CC20
12.0	15.0	JCC12K0T15K0S1	18	0.60	1.35	-40~+75	10	SMA	15*19*13	CC20
12.0	18.0	JCC12K0T18K0S1	18	0.60	1.35	-40~+75	10	SMA	15*19*13	CC20

DUAL JUNCTION COAXIAL CIRCULATOR										
FREQUENCY (GHz)		MODEL	ISOLATION	INS LOSS	VSWR	OPERATING	PWR HANDLING	CONNECTOR	SIZE L*W*H	PACKAGE
F1	F2	NUMBER	(dB) MIN	(dB) MAX	MAX	TEMP(°c)	AVG (W)	TYPE	(mm)	CODE
0.800	0.860	JC2C0800T0860S1	40	0.50	1.20	-30~+70	10	SMA or N	60*43*20	CC22
0.800	1.000	JC2C0800T1000S1	40	0.80	1.20	-30~+70	10	SMA or N	60*43*20	CC22
0.850	0.869	JC2C0850T0869N20	60	0.50	1.20	-30~+70	10	SMA or N	60*43*20	CC22
0.860	0.885	JC2C0860T0885S1	50	0.40	1.20	-30~+70	10	SMA or N	60*43*20	CC22
0.860	0.930	JC2C0860T0930S1	40	0.50	1.20	-30~+70	10	SMA or N	60*43*20	CC22
0.898	0.923	JC2C0898T0923S1	50	0.40	1.20	-30~+70	10	SMA or N	60*43*20	CC22
0.930	1.000	JC2C0930T1000S1	40	0.80	1.20	-30~+70	10	SMA or N	60*43*20	CC22
0.935	0.960	JC2C0935T0960S1	50	0.40	1.20	-30~+70	10	SMA or N	60*43*20	CC22
5.400	5.900	JC2C5400T5900S1	50	0.60	1.25	-40~+75	10	SMA	30*21*14	CC23

SELECT-A-FREQUENCY COAXIAL CIRCULATOR							
FREQUENCY (GHz)		BANDWIDTH	ISOLATION	INS LOSS	VSWR	OPERATING	PWR HANDLING
F1~F2	UP TO	(dB) MIN	(dB) MAX	MAX	TEMP(°c)	AVG (W)	
0.300	0.600	30MHz	25	0.30	1.20	-15~+60	150
0.300	0.600	50MHz	20	0.40	1.25	-15~+60	150
0.600	1.000	30MHz	25	0.30	1.20	-30~+70	150
0.600	1.000	200MHz	20	0.40	1.25	-30~+70	150
0.800	1.200	70MHz	25	0.30	1.20	-30~+70	60
0.800	1.200	200MHz	20	0.40	1.25	-30~+70	60
1.000	2.000	70MHz	25	0.30	1.20	-30~+70	60
1.000	2.000	200MHz	20	0.40	1.25	-30~+70	60
1.400	2.400	70MHz	25	0.30	1.20	-30~+70	10
1.800	3.500	200MHz	25	0.30	1.20	-30~+70	10
1.800	3.500	400MHz	20	0.40	1.25	-30~+70	10
3.500	6.500	300MHz	25	0.30	1.20	-40~+75	10
3.500	6.500	600MHz	23	0.40	1.20	-40~+75	10
5.000	8.000	300MHz	25	0.30	1.20	-40~+75	10
5.000	8.000	600MHz	23	0.40	1.20	-40~+75	10
7.000	18.000	500MHz	25	0.30	1.20	-40~+75	10
7.000	18.000	1000MHz	23	0.40	1.20	-40~+75	10



JQL ELECTRONICS INC.

1-888-236-9828 (USA)

1-630-930-9917 (International)

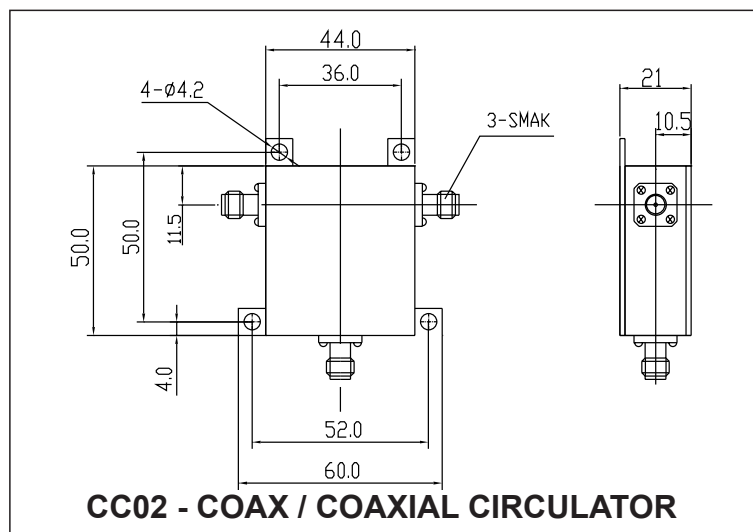
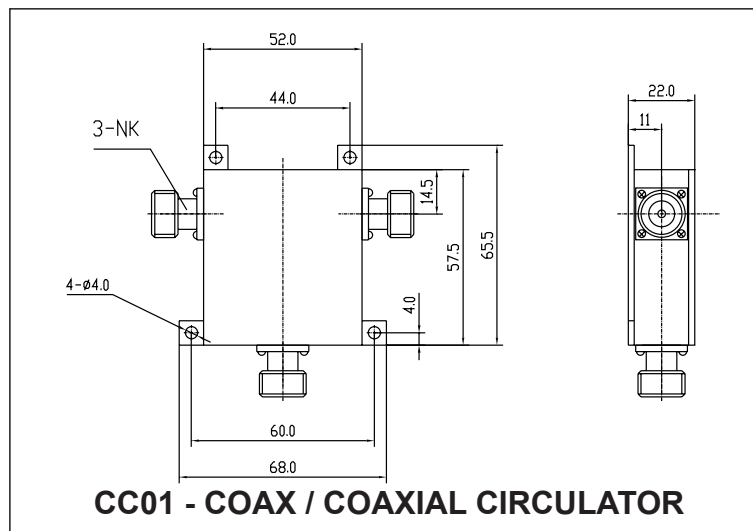
sales@jqlelectronics.com

Coaxial Circulators

SELECT-A-FREQUENCY DUAL JUNCTION COAXIAL CIRCULATOR (HIGH ISOLATION)

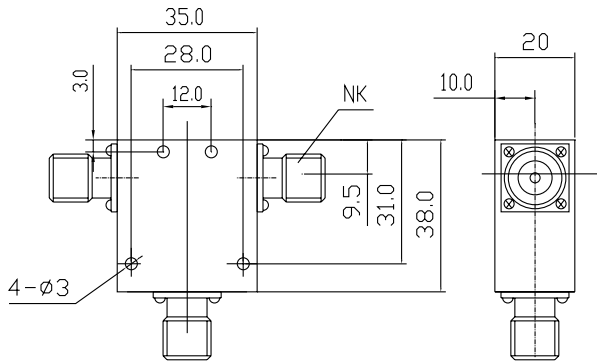
FREQUENCY (GHz)		BANDWIDTH	ISOLATION	INS LOSS	VSWR	OPERATING	PWR HANDLING
F1~F2		UP TO	(dB) MIN	(dB) MAX	MAX	TEMP(°c)	FWD/REV (w)
0.300	0.500	30MHz	50	0.50	1.20	-15~+60	150
0.800	1.200	25MHz	50	0.40	1.20	-30~+70	60
1.600	2.700	70MHz	48	0.40	1.20	-30~+70	60
2.700	5.000	50MHz	50	0.40	1.20	-30~+70	10
5.000	7.000	300MHz	50	0.60	1.20	-40~+75	10
7.000	18.000	1000MHz	50	0.50	1.20	-40~+75	10

JQL offers customized products for specific application and frequency, Please call JQL sales engineers for details.

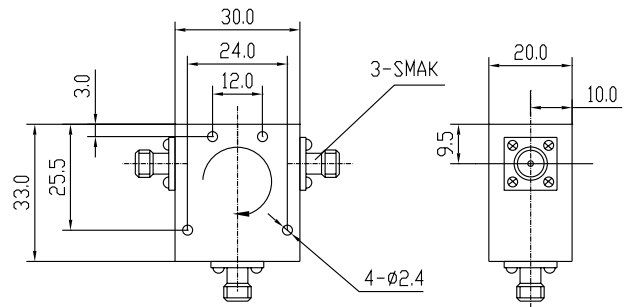


1231 Ranch View Court, Buffalo Grove, IL 60089 USA
 Tel: 1 (888) 236-9828 or 1 (630) 930-9917 Fax: 1-630-756-0017
 Website: www.jqlelectronics.com email: sales@jqlelectronics.com

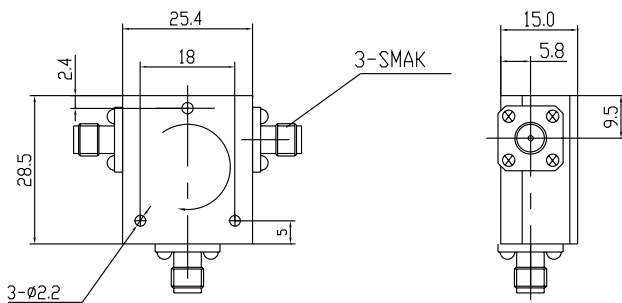
Coaxial Circulators



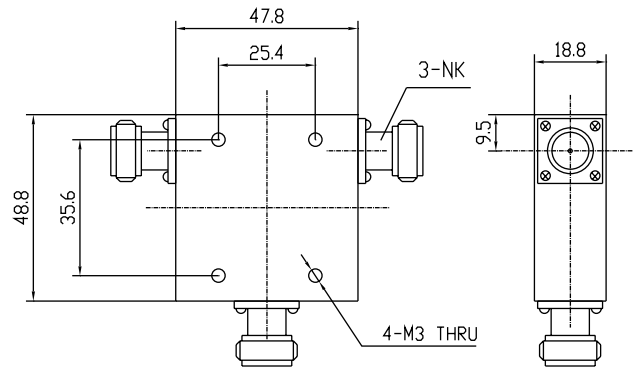
CC03- COAX / COAXIAL CIRCULATOR



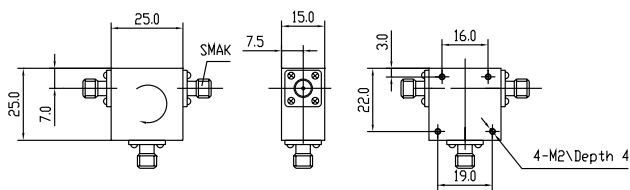
CC04- COAX / COAXIAL CIRCULATOR



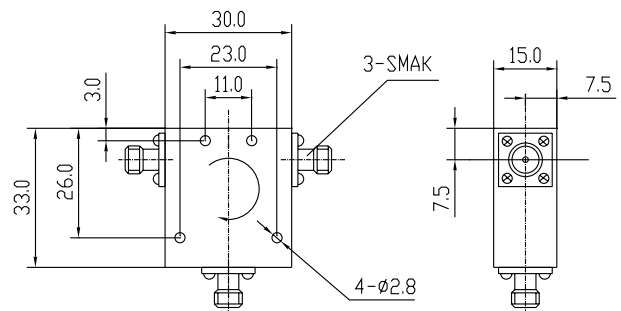
CC05- COAX / COAXIAL CIRCULATOR



CC06- COAX / COAXIAL CIRCULATOR



CC07- COAX / COAXIAL CIRCULATOR



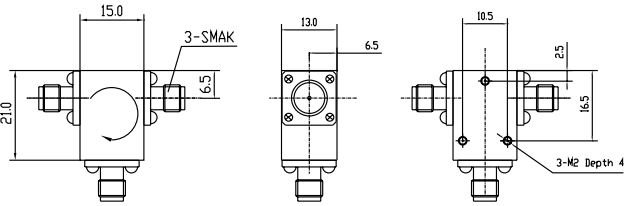
CC08- COAX / COAXIAL CIRCULATOR



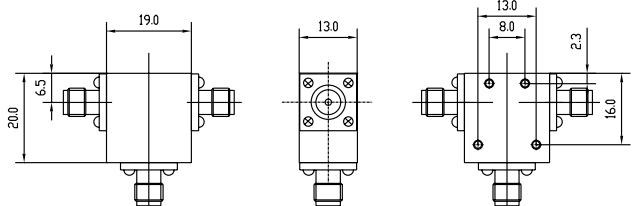
JQL ELECTRONICS INC.

1-888-236-9828 (USA) 1-630-930-9917 (International) sales@jqlelectronics.com

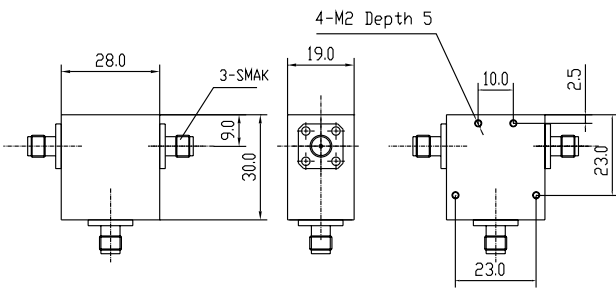
Coaxial Circulators



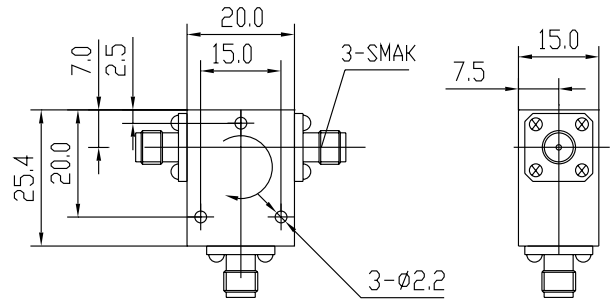
CC09- COAX / COAXIAL CIRCULATOR



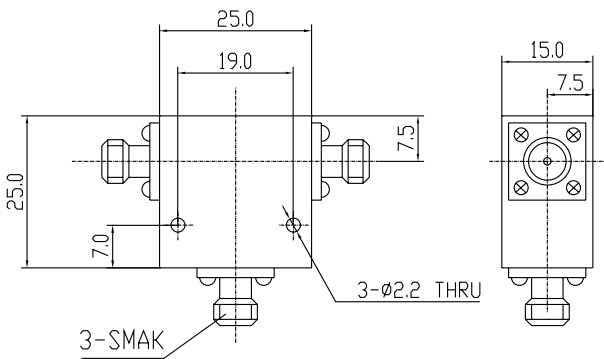
CC10- COAX / COAXIAL CIRCULATOR



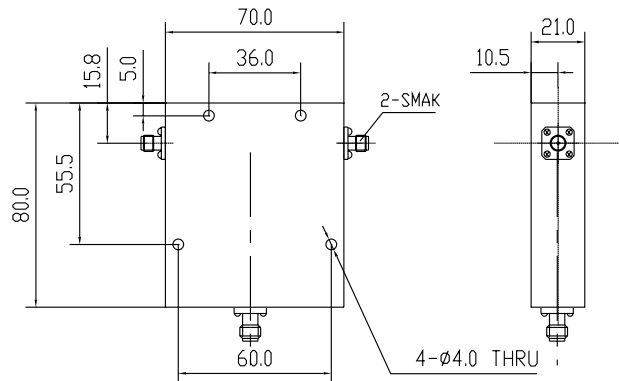
CC11- COAX / COAXIAL CIRCULATOR



CC12- COAX / COAXIAL CIRCULATOR



CC13- COAX / COAXIAL CIRCULATOR

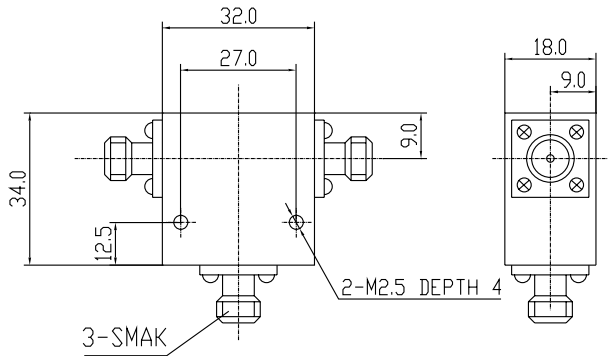


CC14- COAX / COAXIAL CIRCULATOR

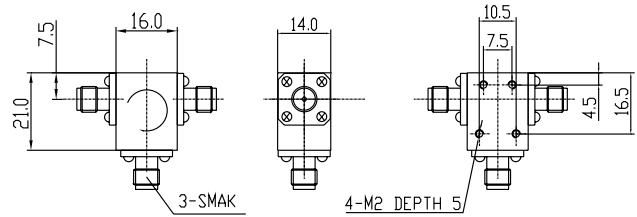


1231 Ranch View Court, Buffalo Grove, IL 60089 USA
 Tel: 1 (888) 236-9828 or 1 (630) 930-9917 Fax: 1-630-756-0017
 Website: www.jqlelectronics.com email: sales@jqlelectronics.com

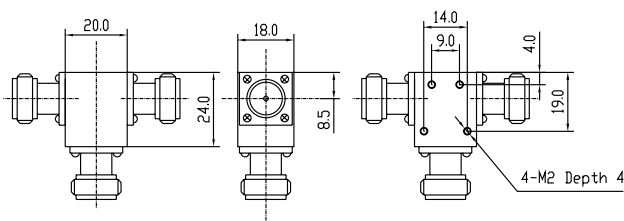
Coaxial Circulators



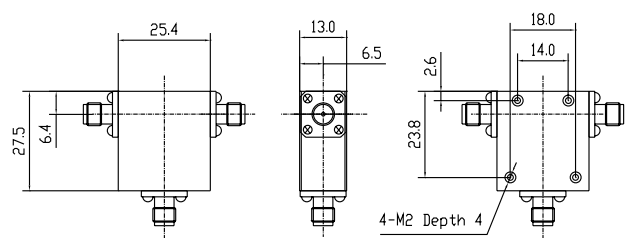
CC15- COAX / COAXIAL CIRCULATOR



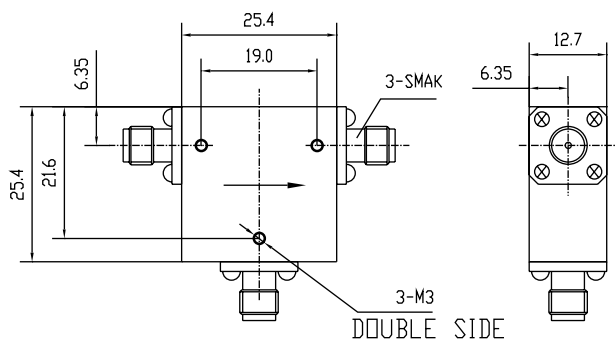
CC16- COAX / COAXIAL CIRCULATOR



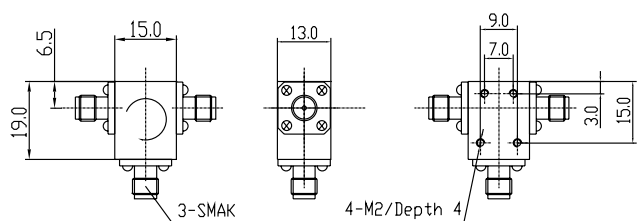
CC17- COAX / COAXIAL CIRCULATOR



CC18- COAX / COAXIAL CIRCULATOR



CC19- COAX / COAXIAL CIRCULATOR



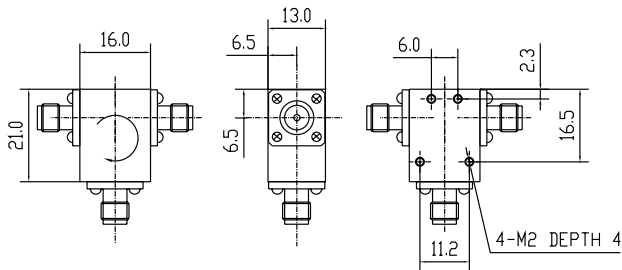
CC20- COAX / COAXIAL CIRCULATOR



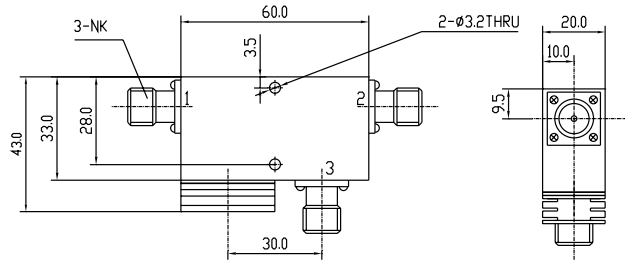
JQL ELECTRONICS INC.

1-888-236-9828 (USA) 1-630-930-9917 (International) sales@jqlelectronics.com

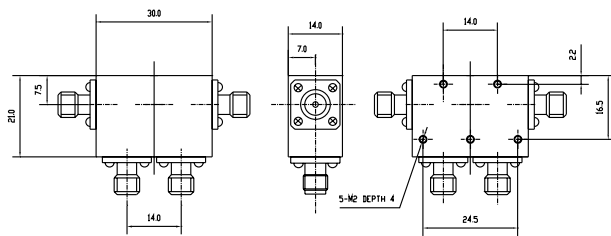
Coaxial Circulators



CC21- COAX / COAXIAL CIRCULATOR



CC22- COAX / COAXIAL CIRCULATOR



CC23- COAX / COAXIAL CIRCULATOR



1231 Ranch View Court, Buffalo Grove, IL 60089 USA
 Tel: 1 (888) 236-9828 or 1 (630) 930-9917 Fax: 1-630-756-0017
 Website: www.jqlelectronics.com email: sales@jqlelectronics.com