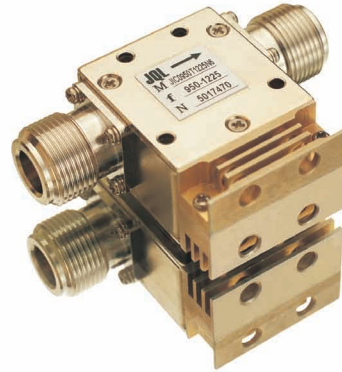


Coaxial Isolators

- Broad Selection of Frequency and Bandwidth (0.3GHz-18GHz, from 3% to Full Bandwidth)
- Military, Space and Commercial Applications
- High Power Handling
- High Typical Isolation Above 25dB Per Junction
- Low Insertion Loss Below 0.3dB
- SMA M/F, N-M/F, Removable SMA Connectors
- Attenuator Option Available
- Wide Operation Temperature Range
- Custom Design Available Upon Request (see select-a-frequency section)



NARROWBAND COAXIAL ISOLATOR

FREQUENCY (GHz)		MODEL	ISOLATION	INS LOSS	VSWR	OPERATING	PWR	CONNECTOR	SIZE L*W*H	PACKAGE
F1	F2	NUMBER	(dB) MIN	(dB) MAX	MAX	TEMP(°c)	FWD/REV (W)	TYPE	(mm)	CODE
0.380	0.460	JIC0380T0460N15	20	0.40	1.25	-15~+60	200/150	SMA or N	52*85*22	IC02
0.390	0.450	JIC0390T0450S2	20	0.40	1.25	-15~+60	100/25	SMA or N	52*58*22	IC01
0.390	0.450	JIC0390T0450N15	20	0.40	1.25	-15~+60	200/150	SMA or N	52*85*22	IC02
0.420	0.450	JIC0420T0450S2	25	0.30	1.20	-15~+60	100/25	SMA or N	52*58*22	IC01
0.420	0.450	JIC0420T0450N15	25	0.30	1.20	-15~+60	200/150	SMA or N	52*85*22	IC02
0.800	0.960	JIC0800T0960S1	20	0.40	1.25	-30~+70	100/10	SMA or N	35*38*20	IC03
0.800	0.960	JIC0800T0960S15	20	0.40	1.25	-30~+70	200/150	SMA or N	35*60*20	IC04
0.850	0.950	JIC085T0950S1	20	0.40	1.25	-30~+70	100/10	SMA or N	35*38*20	IC03
0.850	0.950	JIC085T0950S15	20	0.40	1.25	-30~+70	200/150	SMA or N	35*60*20	IC04
0.869	0.894	JIC0869T0894S6	25	0.30	1.15	-30~+70	100/60	SMA or N	25.4*38.5*20	IC06
0.869	0.894	JIC0869T0894S1	25	0.30	1.15	-30~+70	100/10	SMA	25*25*15	IC08
0.925	0.960	JIC0869T0960S6	25	0.30	1.15	-30~+70	100/60	SMA or N	25.4*38.5*20	IC06
0.925	0.960	JIC0869T0960S1	25	0.30	1.15	-30~+70	100/10	SMA	25*25*15	IC08
0.950	1.225	JIC0950T1225N1	20	0.40	1.25	-30~+70	100/10	N	30*33*20	IC05
0.950	1.225	JIC0950T1225N6	19	0.50	1.25	-30~+70	100/60	N	30*43*20	IC07
0.950	1.225	JIC0950T1225S1	20	0.40	1.25	-30~+70	100/10	SMA	30*33*15	IC09
0.980	1.140	JIC0980T1140S1	20	0.50	1.25	-30~+70	100/10	SMA	25*25*15	IC08
1.000	1.100	JIC1000T1100S6	22	0.35	1.22	-30~+70	100/60	SMA or N	25.4*38.5*20	IC06
1.000	1.100	JIC1000T1100S1	22	0.35	1.22	-30~+70	100/10	SMA	25*25*15	IC08
1.200	1.400	JIC1200T1400S6	20	0.40	1.25	-30~+70	100/60	SMA or N	25.4*38.5*20	IC06
1.200	1.400	JIC1200T1400S1	20	0.40	1.25	-30~+70	100/10	SMA	25*25*15	IC08
1.435	1.535	JIC1435T1535S6	22	0.35	1.22	-30~+70	100/60	SMA or N	25.4*38.5*20	IC06
1.435	1.535	JIC1435T1535S1	22	0.35	1.22	-30~+70	100/10	SMA	20*25.4*15	IC13
1.500	1.600	JIC1500T1600S6	22	0.35	1.22	-30~+70	100/60	SMA or N	25.4*38.5*20	IC06
1.500	1.600	JIC1500T1600S1	22	0.35	1.22	-30~+70	100/10	SMA	20*25.4*15	IC13
1.600	1.800	JIC1600T1800S6	20	0.40	1.25	-30~+70	100/60	SMA or N	25.4*38.5*20	IC06
1.600	1.800	JIC1600T1800S1	20	0.40	1.25	-30~+70	100/10	SMA	25*25*15	IC08
1.800	2.100	JIC1800T2100S0	20	0.40	1.20	-30~+70	60/5	SMA or N	28*30*19	IC12
1.800	2.100	JIC1800T2100S1	20	0.40	1.20	-30~+70	100/10	SMA	25*25*15	IC15
1.805	1.880	JIC1805T1880S6	25	0.30	1.20	-30~+70	100/60	SMA or N	25.4*38.5*20	IC06
1.805	1.880	JIC1805T1880S1	25	0.30	1.20	-30~+70	100/10	SMA	20*25.4*15	IC13
1.920	1.980	JIC1920T1980S1	25	0.30	1.20	-30~+70	100/10	SMA	25*25*15	IC15
1.920	2.170	JIC1920T2170S1	20	0.35	1.20	-30~+70	100/25	SMA	25*25*15	IC15
1.930	1.990	JIC1930T1990S6	25	0.30	1.20	-30~+70	100/60	SMA or N	25.4*38.5*20	IC06



JQL ELECTRONICS INC.

1-888-236-9828 (USA)

1-630-930-9917 (International)

sales@jqlelectronics.com

Coaxial Isolators

NARROWBAND COAXIAL ISOLATOR											
FREQUENCY (GHz)		MODEL	ISOLATION	INS LOSS	VSWR	OPERATING	PWR	CONNECTOR	SIZE L*W*H	PACKAGE	
F1	F2	NUMBER	(dB) MIN	(dB) MAX	MAX	TEMP(°C)	FWD/REV (W)	TYPE	(mm)	CODE	
1.930	1.990	JIC1930T1990S1	25	0.30	1.20	-30~+70	100/10	SMA	20*25.4*15	IC13	
2.000	2.330	JIC2000T2330S0	20	0.40	1.20	-30~+70	60/5	SMA or N	28*30*19	IC12	
2.000	2.330	JIC2000T2330S1	20	0.40	1.20	-30~+70	100/10	SMA	25*25*15	IC15	
2.000	2.400	JIC2000T2400S1	20	0.40	1.20	-30~+70	100/10	SMA	25*25*15	IC15	
2.000	2.500	JIC2000T2500S1	20	0.40	1.20	-30~+70	100/10	SMA	25*25*15	IC15	
2.070	2.140	JIC2070T2140S0	25	0.30	1.20	-30~+70	60/5	SMA or N	28*30*19	IC12	
2.070	2.140	JIC2070T2140S1	25	0.30	1.20	-30~+70	100/10	SMA	20*25*14	IC14	
2.100	2.300	JIC2100T2300S0	25	0.30	1.20	-30~+70	60/5	SMA or N	28*30*19	IC12	
2.100	2.300	JIC2100T2300S1	23	0.30	1.20	-30~+70	100/10	SMA	20*25*14	IC14	
2.110	2.170	JIC2110T2170S2	25	0.30	1.20	-30~+70	100/10	SMA	25*25*15	IC15	
2.200	2.300	JIC2200T2300N0	25	0.30	1.20	-30~+70	100/10	SMA or N	28*30*19	IC12	
2.200	2.300	JIC2200T2300S1	23	0.30	1.20	-30~+70	100/10	SMA	20*25*14	IC14	
2.200	2.300	JIC2200T2300S2	25	0.30	1.20	-30~+70	100/20	SMA	25*25*15	IC15	
2.200	2.500	JIC2200T2500S0	20	0.40	1.20	-30~+70	60/5	SMA or N	28*30*19	IC12	
2.200	2.500	JIC2200T2500S1	20	0.40	1.20	-30~+70	100/10	SMA	25*25*15	IC15	
2.300	2.500	JIC2300T2500S1	23	0.30	1.20	-30~+70	100/10	SMA	25*25*15	IC15	
2.300	2.700	JIC2300T2700S2	20	0.40	1.20	-30~+70	100/25	SMA	25*25*15	IC15	
2.500	2.700	JIC2500T2700S0	25	0.30	1.20	-30~+70	60/5	SMA or N	28*30*19	IC12	
2.500	2.700	JIC2500T2700S1	23	0.30	1.20	-30~+70	100/10	SMA	20*25*14	IC14	
2.500	2.700	JIC2500T2700S2	25	0.30	1.20	-30~+70	100/25	SMA	25*25*15	IC15	
2.700	2.900	JIC2700T2900S1	25	0.30	1.20	-30~+70	100/10	SMA	25*25*15	IC15	
2.700	3.100	JIC2700T3100S0	20	0.40	1.20	-30~+70	60/5	SMA or N	28*30*19	IC12	
2.700	3.100	JIC2700T3100S1	20	0.40	1.20	-30~+70	100/10	SMA	25*25*15	IC15	
3.000	3.500	JIC3000T3500S1	18	0.50	1.25	-30~+70	25/10	SMA	25*25*15	IC15	
3.300	4.900	JIC3300T4900S1	20	0.50	1.25	-30~+70	25/10	SMA	25*25*15	IC15	
3.700	4.200	JIC3700T4200N1	23	0.40	1.20	-40~+75	25/10	N	16*26*19	IC18	
3.700	4.200	JIC3700T4200S1	23	0.40	1.20	-40~+75	25/10	SMA	16*26*13	IC22	
4.000	4.200	JIC4000T4200S1	25	0.30	1.20	-30~+75	25/10	SMA	16*26*13	IC22	
4.200	4.400	JIC3700T4200N1	25	0.30	1.20	-40~+75	25/10	N	16*26*19	IC18	
4.200	4.400	JIC3700T4200S1	25	0.30	1.20	-40~+75	25/10	SMA	16*26*13	IC22	
4.400	5.000	JIC4400T5000G1-C	23	0.40	1.20	-40~+75	25/10	SMA	16*26*13	IC22	
4.415	5.015	JIC4415T5015G1-C	23	0.40	1.20	-40~+75	25/10	SMA	16*26*13	IC22	
5.000	7.000	JIC5000T7000S1	20	0.50	1.25	-35~+75	25/10	SMA	16*26*13	IC22	
5.150	5.650	JIC5150T5650N1	23	0.40	1.20	-40~+75	25/10	N	16*26*19	IC18	
5.150	5.650	JIC5150T5650S1	25	0.30	1.20	-40~+75	25/10	SMA	16*24*14	IC20	
5.400	5.900	JIC5400T5900N1	23	0.40	1.20	-40~+75	25/10	N	16*26*19	IC18	
5.400	5.900	JIC5400T5900S1	23	0.40	1.20	-40~+75	25/10	SMA	16*24*14	IC20	
5.700	7.100	JIC5700T7100S1	20	0.50	1.22	-35~+80	25/10	SMA	16*26*13	IC22	
5.800	6.500	JIC5800T6500S1	20	0.40	1.25	-40~+75	25/10	SMA	16*24*14	IC20	
5.850	6.425	JIC5850T6425S1	23	0.40	1.20	-40~+75	25/10	SMA	16*24*14	IC20	
5.850	6.650	JIC5850T6650S1	18	0.50	1.25	-40~+75	25/10	SMA	16*24*14	IC20	
6.375	6.975	JIC6375T6975G1-C	23	0.40	1.20	-40~+75	25/10	SMA	16*26*13	IC22	
6.400	7.100	JIC6400T7100S2	21	0.40	1.20	-40~+75	25/15	SMA	16*24*14	IC20	
6.500	7.200	JIC6500T7200S1	20	0.40	1.20	-40~+75	15/10	SMA	16*24*14	IC20	
6.700	7.100	JIC6700T7100S1	25	0.30	1.20	-40~+75	15/10	SMA	16*24*14	IC20	
6.710	7.420	JIC6710T7420S1	20	0.40	1.25	-35~+80	15/10	SMA	16*24*14	IC20	
7.000	7.700	JIC7000T7700S1	23	0.40	1.20	-40~+75	15/10	SMA	12*20*13	IC25	
7.200	8.400	JIC7200T8400S1	20	0.50	1.20	-40~+75	15/10	SMA	12*20*13	IC25	
7.825	8.475	JIC7825T8475S1	23	0.40	1.20	-40~+75	15/10	SMA	12*20*13	IC25	
8.500	9.600	JIC8500T9600S1	23	0.40	1.20	-40~+75	15/10	SMA	12*20*13	IC25	
9.500	15.500	JIC9500T15K5S1	18	0.60	1.30	-40~+75	15/10	SMA	12*20*13	IC25	
10.000	12.000	JIC10K0T12K0S1	20	0.40	1.20	-40~+75	15/10	SMA	12*20*13	IC25	
10.000	15.000	JIC10K0T15K0S1	20	0.50	1.25	-40~+75	15/10	SMA	12*20*13	IC25	



1231 Ranch View Court, Buffalo Grove, IL 60089 USA
 Tel: 1 (888) 236-9828 or 1 (630) 930-9917 Fax: 1-630-756-0017
 Website: www.jqlelectronics.com email: sales@jqlelectronics.com

Coaxial Isolators

NARROWBAND COAXIAL ISOLATOR

FREQUENCY (GHz)		MODEL	ISOLATION	INS LOSS	VSWR	OPERATING	PWR	CONNECTOR	SIZE L*W*H	PACKAGE
F1	F2	NUMBER	(dB) MIN	(dB) MAX	MAX	TEMP(°c)	FWD/REV (W)	TYPE	(mm)	CODE
10.500	11.300	JIC10K5T11K3S1	23	0.40	1.20	-40~+75	15/10	SMA	12*20*13	IC25
10.500	11.800	JIC10K5T11K8G1	21	0.40	1.20	-40~+75	15/10	SMA	12*20*13	IC25
11.000	12.000	JIC11K0T12K0S1	23	0.40	1.20	-40~+75	15/10	SMA	12*20*13	IC25
11.000	12.790	JIC11K0T12K8S1	20	0.50	1.25	-40~+75	15/10	SMA	12*20*13	IC25
11.000	14.000	JIC11K0T14K0S1	20	0.50	1.25	-40~+75	15/10	SMA	12*20*13	IC25
11.450	12.750	JIC11K4T12K8S1	20	0.40	1.20	-40~+75	15/10	SMA	12*20*13	IC25
12.000	12.800	JIC12K0T12K8S1	25	0.30	1.20	-40~+75	15/10	SMA	12*20*13	IC25
12.075	12.925	JIC12K0T13K0G1-KU	21	0.40	1.20	-40~+75	15/10	SMA	12*20*13	IC25
12.500	13.350	JIC12K5T13K4G1-KU	21	0.40	1.20	-40~+75	15/10	SMA	12*20*13	IC25
12.750	14.500	JIC12K7T14K5S1	20	0.40	1.20	-40~+75	15/10	SMA	12*20*13	IC25
13.000	15.000	JIC13K0T15K0S1	20	0.40	1.20	-40~+75	15/10	SMA	12*20*13	IC25
14.400	14.800	JIC14K4T14K8S0	25	0.30	1.20	-40~+75	15/10	SMA	12*20*13	IC25
14.400	14.800	JIC14K4T14k8S2	22	0.35	1.20	-40~+75	25/10	SMA	12*20*13	IC25
14.500	15.350	JIC14K5T15K4G1-KU	21	0.40	1.20	-40~+75	15/10	SMA	12*20*13	IC25
14.900	15.200	JIC14K9T15K2G0	25	0.30	1.20	-40~+75	15/10	SMA	12*20*13	IC25
15.000	18.000	JIC15K0T18K0S1	18	0.50	1.25	-40~+75	15/10	SMA	12*20*13	IC25
16.000	18.000	JIC16K0T18K0S1	20	0.50	1.25	-40~+75	15/10	SMA	12*20*13	IC25

BROADBAND COAXIAL ISOLATOR

FREQUENCY (GHz)		MODEL	ISOLATION	INS LOSS	VSWR	OPERATING	PWR HANDLING	CONNECTOR	SIZE L*W*H	PACKAGE
F1~F2 GHz		NUMBER	(dB) MIN	(dB) MAX	MAX	TEMP(°c)	FWD/REV (W)	TYPE	(mm)	CODE
0.950	1.225	JIC0950T1225N1	20	0.40	1.25	-30~+70	60/10	N	30*33*20	IC05
0.950	1.225	JIC0950T1225N6	19	0.50	1.25	-30~+70	100/60	N	30*43*20	IC07
0.950	1.225	JIC0950T1225S1	20	0.40	1.25	-30~+70	60/10	SMA	30*33*15	IC09
1.000	2.000	JIC1000T2000S6	16	0.70	1.4	-15~+60	30/10	SMA or N	70*80*21	IC16
2.000	4.000	JIC2000T4000S1	18	0.60	1.4	-30~+70	30/10	SMA or N	32*34*18	IC17
2.000	8.000	JIC2000T8000S1	12	1.50	1.8	-30~+70	30/10	SMA	60*42*19	IC19
2.200	2.800	JIC2200T2800S1	18	0.50	1.25	-30~+70	30/5	SMA or N	28*30*19	IC12
3.000	6.000	JIC3000T6000S1	17	0.60	1.4	-30~+70	30/10	SMA	25.4*34.5*13	IC21
3.400	4.200	JIC3400T4200S1	18	0.50	1.3	-30~+70	30/10	SMA	25.4*34.5*13	IC21
4.000	5.000	JIC4000T5000S1	20	0.40	1.25	-30~+70	15/10	SMA	25.4*31.4*12.7	IC23
4.000	8.000	JIC4000T8000S1	18	0.60	1.3	-30~+70	15/10	SMA	25.4*31.4*12.7	IC23
6.000	12.000	JIC6000T12K0S1	18	0.60	1.4	-40~+75	15/10	SMA	16*26*13	IC27
6.000	18.000	JIC6000T18K0S1	12	1.50	1.8	-40~+75	15/10	SMA	19*27*13	IC11
6.500	18.000	JIC6500T18K0S1	12	1.50	1.8	-40~+75	15/10	SMA	19*27*13	IC11
7.000	9.000	JIC7000T9000S1	18	0.60	1.4	-40~+75	15/10	SMA	16*26*13	IC27
7.000	10.000	JIC7000T10K0S1	18	0.60	1.4	-40~+75	15/10	SMA	16*26*13	IC27
7.000	18.000	JIC7000T18K0S1	12	1.50	1.8	-40~+75	15/10	SMA	19*27*13	IC10
8.000	10.000	JIC8000T10K0S1	20	0.50	1.25	-30~+70	15/10	SMA	12*20*13	IC24
8.000	12.400	JIC8000T12K4S1	20	0.50	1.25	-30~+70	15/10	SMA	12*20*13	IC24
8.000	16.000	JIC8000T16K0S1	17	0.80	1.4	-40~+75	15/10	SMA	15*23*13	IC10
8.000	18.000	JIC8000T18K0S1	17	0.80	1.4	-30~+70	15/10	SMA	15*23*13	IC10
10.000	15.000	JIC10K0T15K0S1	20	0.50	1.25	-30~+70	15/10	SMA	12*20*13	IC25
10.000	15.000	JIC10K0T15K0N1	20	0.50	1.25	-30~+70	15/10	N	12*23*19	IC26
12.000	15.000	JIC12K0T15K0S1	20	0.50	1.25	-30~+70	15/10	SMA	12*20*13	IC25
12.000	18.000	JIC12K0T18T0S1	20	0.60	1.3	-30~+70	15/10	SMA	12*20*13	IC24



JQL ELECTRONICS INC.

1-888-236-9828 (USA)

1-630-930-9917 (International)

sales@jqlelectronics.com

Coaxial Isolators

DUAL JUNCTION COAXIAL ISOLATOR										
FREQUENCY (GHz)		MODEL	ISOLATION	INS LOSS	VSWR	OPERATING	PWR HANDLING	CONNECTOR	SIZE L*W*H	PACKAGE
F1	F2	NUMBER	(dB) MIN	(dB) MAX	MAX	TEMP(°c)	FWD/REV (W)	TYPE	(mm)	CODE
0.390	0.400	JI2C0390T0400N10	50	0.50	1.25	-15~+60	200/100	SMA or N	104*57.5*22	IC28
0.390	0.450	JI2C0390T0450N1	50	0.60	1.22	-15~+60	100/10	SMA or N	104*57.5*22	IC28
0.400	0.455	JI2C0400T0455N6	50	0.60	1.22	-15~+60	100/10	SMA or N	104*57.5*22	IC28
0.420	0.450	JI2C0420T0450S0	50	0.50	1.25	-15~+60	200/150	SMA or N	104*57.5*22	IC28
0.450	0.480	JI2C0450T0480N6	50	0.50	1.25	-15~+60	200/100	SMA or N	104*57.5*22	IC28
0.800	0.860	JI2C0800T0860N1	40	0.50	1.20	-30~+70	100/10	SMA or N	60*33*20	IC29
0.860	0.930	JI2C0860T0930N1	40	0.50	1.20	-30~+70	100/10	SMA or N	60*33*20	IC29
0.869	0.894	JI2C0869T0894S6	50	0.40	1.20	-30~+70	100/60	SMA or N	60*33*20	IC29
0.925	0.960	JI2C0925T0960S6	50	0.40	1.20	-30~+70	100/60	SMA or N	60*33*20	IC29
1.930	1.990	JI2C1930T1990S6	48	0.50	1.20	-30~+70	100/60	SMA or N	46*32*20	IC30
1.930	1.990	JI2C1930T1990S1	48	0.40	1.20	-30~+70	100/10	SMA	40*27*18	IC31
2.070	2.140	JI2C2070T2140S6	48	0.40	1.20	-30~+70	100/60	SMA or N	46*32*20	IC30
2.070	2.140	JI2C2070T2140S1	48	0.40	1.20	-30~+70	100/10	SMA	40*27*18	IC31
5.850	6.650	JI2C5850T6650S1	50	0.60	1.20	-40~+75	15/10	SMA	30*21*14	IC32
7.000	7.700	JI2C7000T7700S1	50	0.50	1.20	-40~+75	15/10	SMA	24*20*13	IC33
7.825	8.475	JI2C7825T8475S1	50	0.50	1.20	-40~+75	15/10	SMA	24*20*13	IC33
8.500	9.600	JI2C8500T9600S1	50	0.50	1.20	-40~+75	15/10	SMA	24*20*13	IC33
10.000	12.000	JI2C10K0T12K0S1	50	0.50	1.20	-40~+75	15/10	SMA	24*20*13	IC33
10.500	11.300	JI2C10K5T11K3S1	50	0.50	1.20	-40~+75	15/10	SMA	24*20*13	IC33

SELECT-A-FREQUENCY COAXIAL ISOLATOR							
FREQUENCY (GHz)		BANDWIDTH	ISOLATION	INS LOSS	VSWR	OPERATING	PWR HANDLING
F1~F2		MHz	(dB) MIN	(dB) MAX	MAX	TEMP(°c)	FWD/REV (w)
0.300	0.600	30MHz	25	0.30	1.20	-15~+60	200/150
0.300	0.600	50MHz	20	0.40	1.25	-15~+60	200/150
0.600	1.000	30MHz	25	0.30	1.20	-30~+70	200/150
0.600	1.000	200MHz	20	0.40	1.25	-30~+70	200/150
0.800	1.200	70MHz	25	0.30	1.20	-30~+70	100/60
0.800	1.200	200MHz	20	0.40	1.25	-30~+70	100/60
1.000	2.000	70MHz	25	0.30	1.20	-30~+70	100/60
1.000	2.000	200MHz	20	0.40	1.25	-30~+70	100/60
1.400	2.400	70MHz	25	0.30	1.20	-30~+70	100/60
1.800	3.500	200MHz	25	0.30	1.20	-30~+70	100/60
1.800	3.500	400MHz	20	0.40	1.25	-30~+70	100/60
3.500	6.500	300MHz	25	0.30	1.20	-40~+75	20/10
3.500	6.500	600MHz	23	0.40	1.20	-40~+75	20/10
5.000	8.000	300MHz	25	0.30	1.20	-40~+75	15/10
5.000	8.000	600MHz	23	0.40	1.20	-40~+75	15/10
7.000	18.000	500MHz	25	0.30	1.20	-40~+75	15/10
7.000	18.000	1000MHz	23	0.40	1.20	-40~+75	15/10

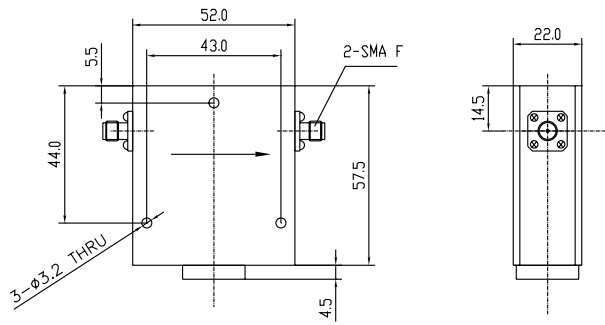
SELECT-A-FREQUENCY DUAL JUNCTION COAXIAL ISOLATOR (HIGH ISOLATION)							
FREQUENCY (GHz)		BANDWIDTH	ISOLATION	INS LOSS	VSWR	OPERATING	PWR HANDLING
F1~F2		MHz	(dB) MIN	(dB) MAX	MAX	TEMP(°c)	FWD/REV (w)
0.300	0.500	30MHz	50	0.50	1.20	-15~+60	200/150
0.800	1.200	25MHz	50	0.40	1.20	-30~+70	100/60
1.600	2.700	70MHz	48	0.40	1.20	-30~+70	100/60
2.700	5.000	50MHz	50	0.40	1.20	-30~+70	15/10
5.000	7.000	300MHz	50	0.60	1.20	-40~+75	15/10
7.000	18.000	1000MHz	50	0.50	1.20	-40~+75	15/10

JQL offers customized products for specific application and frequency, Please call JQL sales engineers for details.

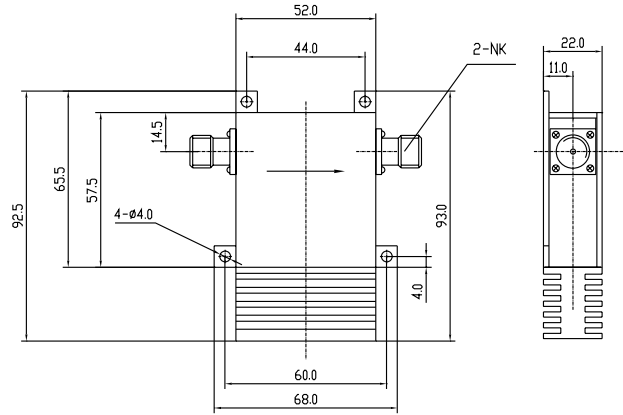


1231 Ranch View Court, Buffalo Grove, IL 60089 USA
 Tel: 1 (888) 236-9828 or 1 (630) 930-9917 Fax: 1-630-756-0017
 Website: www.jqlelectronics.com email: sales@jqlelectronics.com

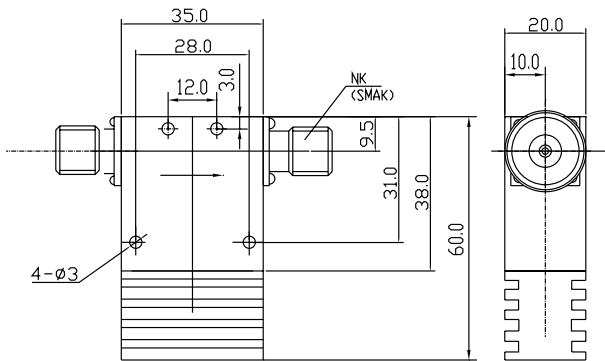
Coaxial Isolators



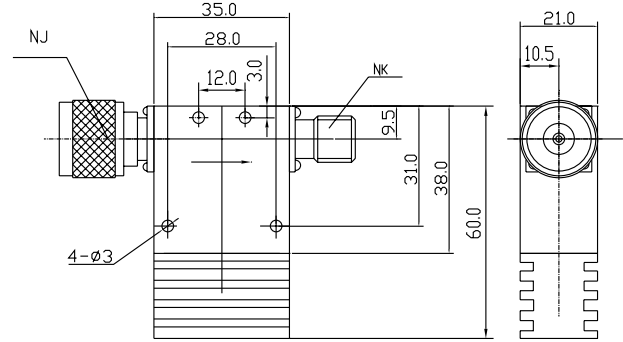
IC01- COAX / COAXIAL ISOLATOR



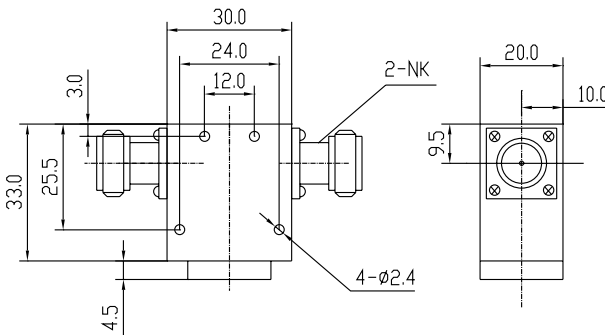
IC02- COAX / COAXIAL ISOLATOR



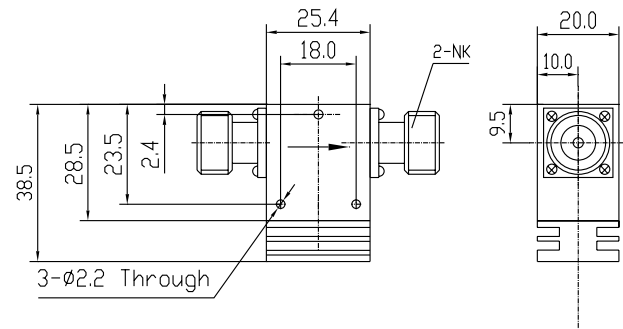
IC03- COAX / COAXIAL ISOLATOR



IC04- COAX / COAXIAL ISOLATOR



IC05- COAX / COAXIAL ISOLATOR



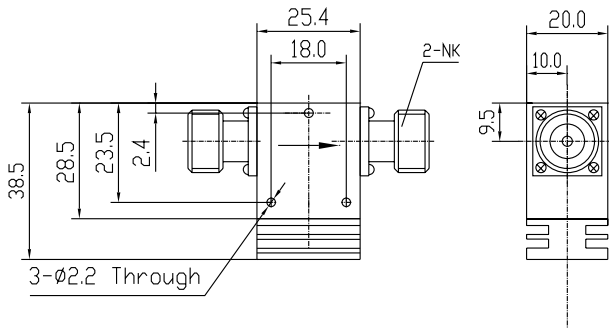
IC06- COAX / COAXIAL ISOLATOR



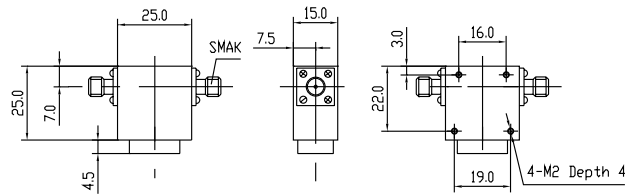
JQL ELECTRONICS INC.

1-888-236-9828 (USA) 1-630-930-9917 (International) sales@jqlelectronics.com

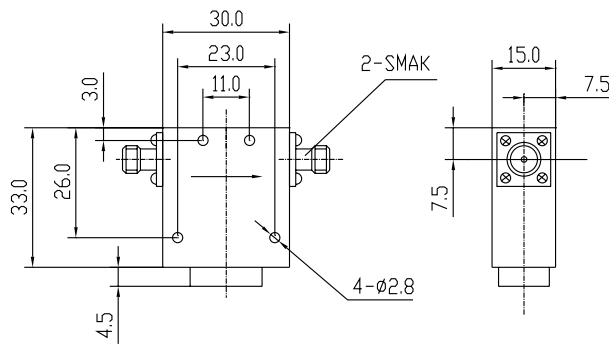
Coaxial Isolators



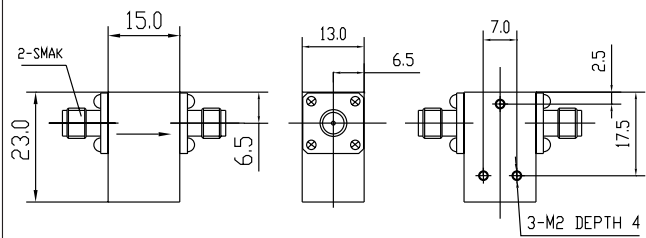
IC07- COAX / COAXIAL ISOLATOR



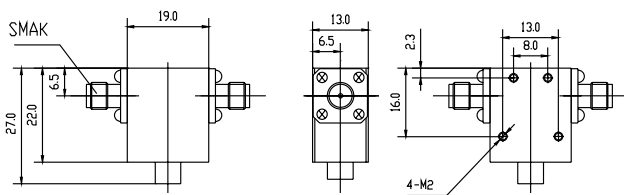
IC08- COAX / COAXIAL ISOLATOR



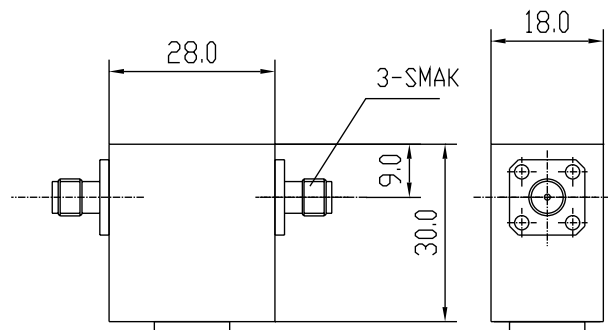
IC09- COAX / COAXIAL ISOLATOR



IC10- COAX / COAXIAL ISOLATOR



IC11- COAX / COAXIAL ISOLATOR

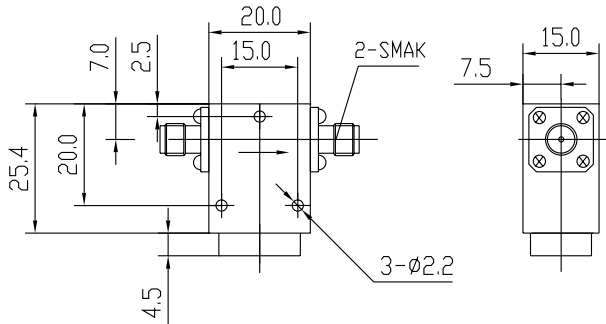


IC12- COAX / COAXIAL ISOLATOR

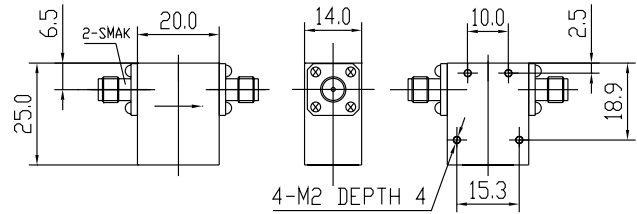


1231 Ranch View Court, Buffalo Grove, IL 60089 USA
 Tel: 1 (888) 236-9828 or 1 (630) 930-9917 Fax: 1-630-756-0017
 Website: www.jqlelectronics.com email: sales@jqlelectronics.com

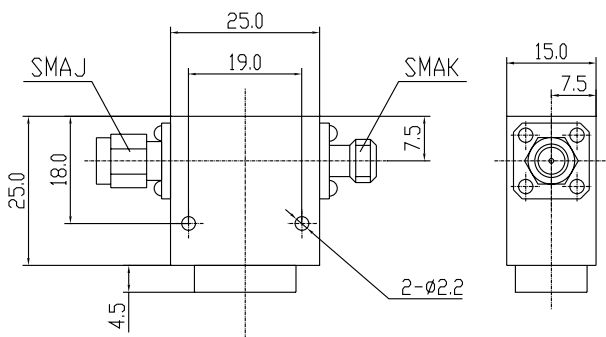
Coaxial Isolators



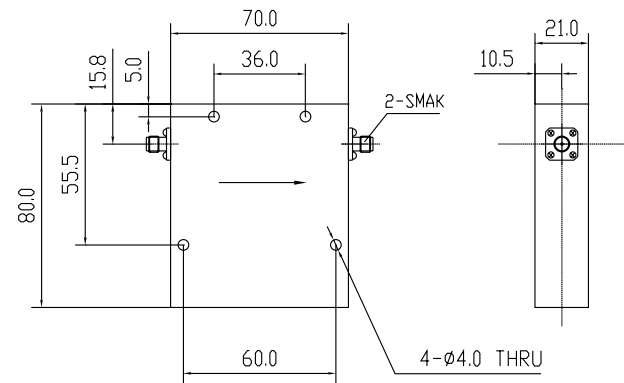
IC13- COAX / COAXIAL ISOLATOR



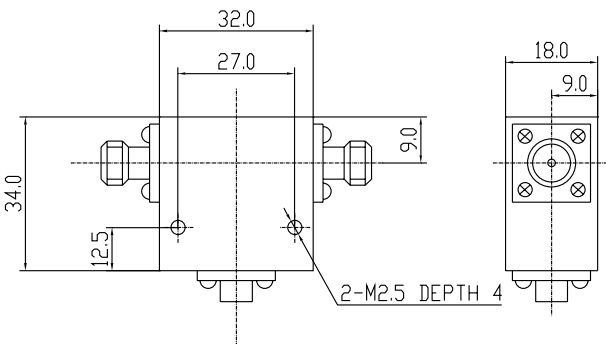
IC14- COAX / COAXIAL ISOLATOR



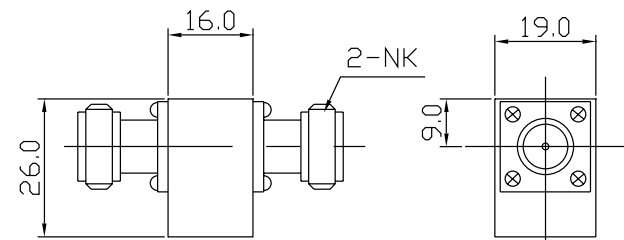
IC15- COAX / COAXIAL ISOLATOR



IC16- COAX / COAXIAL ISOLATOR



IC17- COAX / COAXIAL ISOLATOR



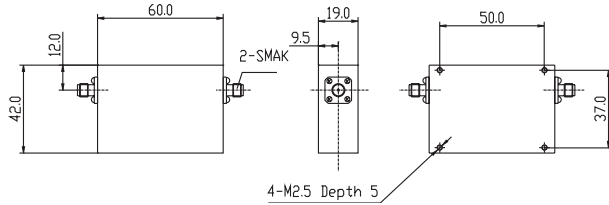
IC18- COAX / COAXIAL ISOLATOR



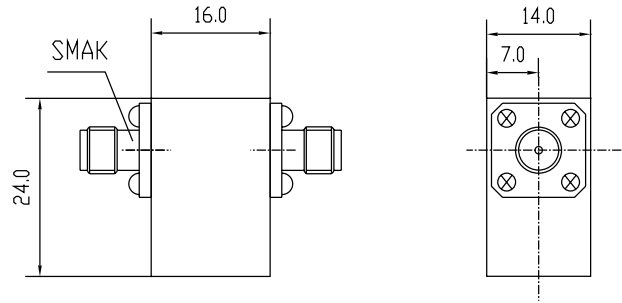
JQL ELECTRONICS INC.

1-888-236-9828 (USA) 1-630-930-9917 (International) sales@jqlelectronics.com

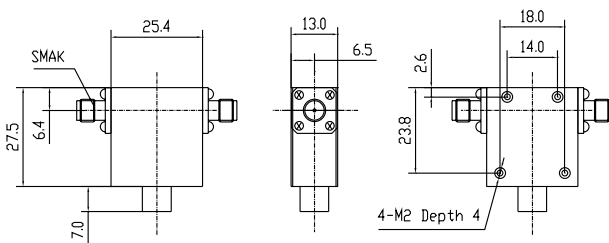
Coaxial Isolators



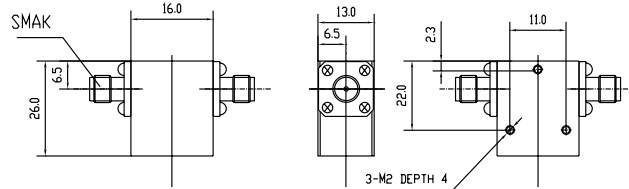
IC19- COAX / COAXIAL ISOLATOR



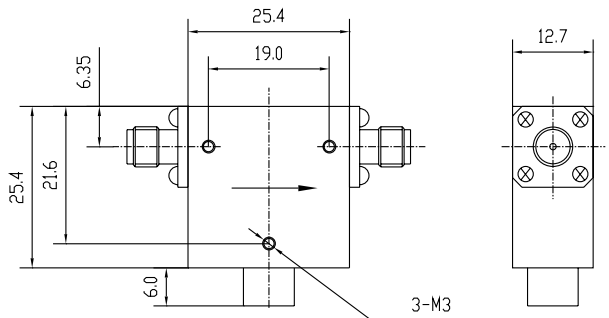
IC20- COAX / COAXIAL ISOLATOR



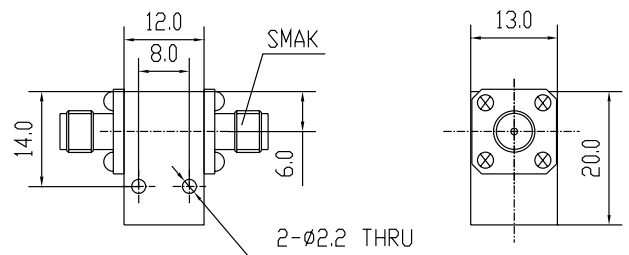
IC21- COAX / COAXIAL ISOLATOR



IC22- COAX / COAXIAL ISOLATOR



IC23- COAX / COAXIAL ISOLATOR

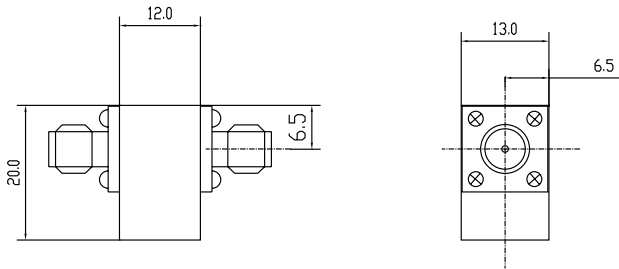


IC24- COAX / COAXIAL ISOLATOR

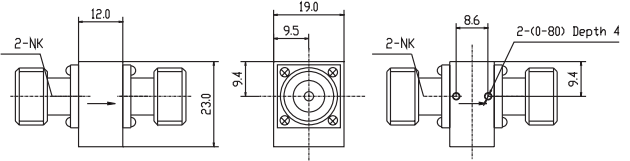


1231 Ranch View Court, Buffalo Grove, IL 60089 USA
 Tel: 1 (888) 236-9828 or 1 (630) 930-9917 Fax: 1-630-756-0017
 Website: www.jqlelectronics.com email: sales@jqlelectronics.com

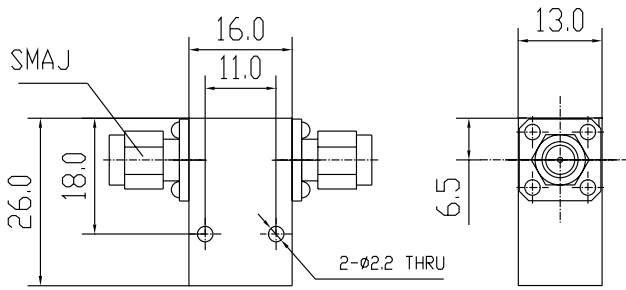
Coaxial Isolators



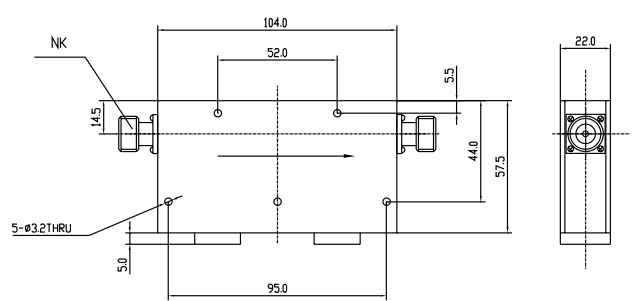
IC25- COAX / COAXIAL ISOLATOR



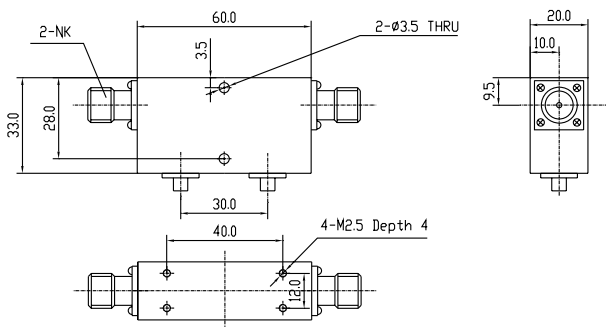
IC26- COAX / COAXIAL ISOLATOR



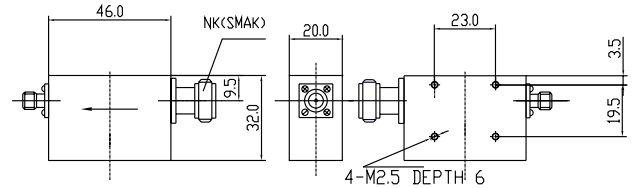
IC27- COAX / COAXIAL ISOLATOR



IC28- COAX / COAXIAL ISOLATOR



IC29- COAX / COAXIAL ISOLATOR

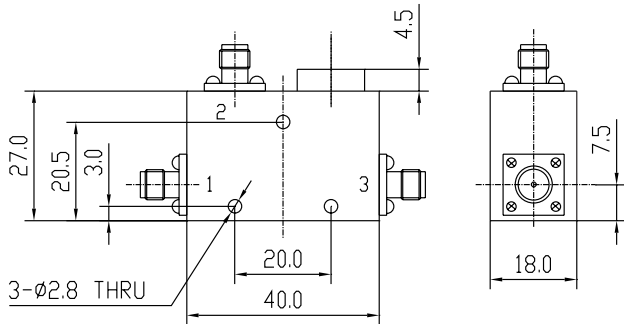


IC30- COAX / COAXIAL ISOLATOR

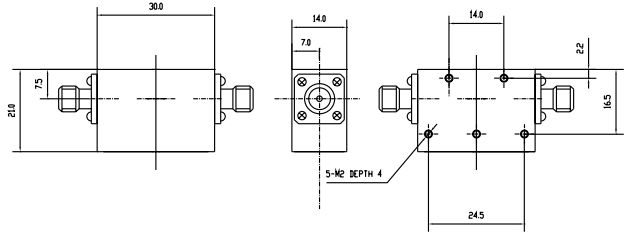


JQL ELECTRONICS INC.

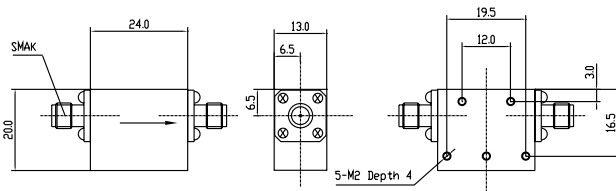
1-888-236-9828 (USA) 1-630-930-9917 (International) sales@jqlelectronics.com



IC31- COAX / COAXIAL ISOLATOR



IC32- COAX / COAXIAL ISOLATOR



IC33- COAX / COAXIAL ISOLATOR