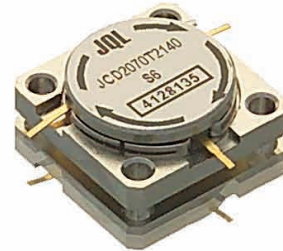


Drop-in Circulators

- Broad Selection of Frequency and Bandwidth (0.3GHz-18GHz, from 3% to Full Bandwidth)
- Wide Variety of Packages
- Military, Space and Commercial Applications
- High Power Handling
- High Typical Isolation Above 25dB
- Low Insertion Loss Below 0.3dB
- Wide Operation Temperature Range
- Custom Design Available Upon Request (see select-a-frequency section)



DROP-IN CIRCULATOR

| FREQUENCY (GHz) | | MODEL | ISOLATION | INS LOSS | VSWR | OPERATING | PWR HANDLING | SIZE L*W*H | PACKAGE |
|-----------------|-------|------------------|-----------|----------|------|------------|--------------|---------------|---------|
| F1 | F2 | NUMBER | (dB) MIN | (dB) MAX | MAX | TEMP(°c) | AVG (W) | (mm) | CODE |
| 0.300 | 0.400 | JCD0300T0400G6 | 15 | 0.70 | 1.25 | -40~+85 | 60 | 44*50*16 | CD02 |
| 0.380 | 0.450 | JCD0380T0450G15 | 18 | 0.50 | 1.25 | -10~+60 | 150 | 52*58*16 | CD01 |
| 0.400 | 0.500 | JCD0400T0500G6 | 18 | 0.60 | 1.25 | -40~+85 | 60 | 44*50*16 | CD02 |
| 0.420 | 0.450 | JCD0420T0450G15 | 23 | 0.30 | 1.20 | -10~+60 | 150 | 44*50*16 | CD02 |
| 0.850 | 0.875 | JCD0850T0875S10 | 20 | 0.40 | 1.20 | -30~+70 | 100 | 25.4*25.4*6.8 | CD08 |
| 0.858 | 0.878 | JCD0858T0878S10 | 20 | 0.40 | 1.20 | -30~+70 | 100 | 25.4*25.4*6.8 | CD08 |
| 0.869 | 0.894 | JCD0869T0894G3 | 23 | 0.35 | 1.20 | -30~+70 | 30 | 20*20*8.6 | CD03 |
| 0.869 | 0.894 | JCD0869T0894G10 | 23 | 0.30 | 1.20 | -30~+70 | 100 | 25.4*25.4*6.8 | CD08 |
| 0.869 | 0.894 | JCD0869T0894G6 | 25 | 0.30 | 1.20 | -30~+70 | 60 | 25.4*25.4*12 | CD09 |
| 0.890 | 0.960 | JCD0890T0960S10 | 20 | 0.40 | 1.20 | -20~+55 | 100 | 25.4*25.4*6.8 | CD08 |
| 0.902 | 0.928 | JCD0902T0928S10 | 23 | 0.30 | 1.20 | -30~+70 | 100 | 25.4*25.4*6.8 | CD08 |
| 0.925 | 0.960 | JCD0925T0960G3 | 23 | 0.35 | 1.20 | -30~+70 | 30 | 20*20*8.6 | CD03 |
| 0.925 | 0.960 | JCD0925T0960G10 | 23 | 0.30 | 1.20 | -30~+70 | 100 | 25.4*25.4*6.8 | CD08 |
| 0.925 | 0.960 | JCD0925T0960G6 | 25 | 0.30 | 1.20 | -30~+70 | 60 | 25.4*25.4*12 | CD09 |
| 0.962 | 1.213 | JCD0962T1213G10 | 20 | 0.50 | 1.25 | -30~+70 | 100 | 30*33*12 | CD06 |
| 0.980 | 1.080 | JCD0980T1080G6 | 20 | 0.40 | 1.25 | -30~+70 | 60 | 25.4*28.5*12 | CD07 |
| 0.980 | 1.080 | JCD0980T1080G6-B | 20 | 0.40 | 1.20 | -30~+70 | 60 | 25.4*25.4*12 | CD09 |
| 1.030 | 1.090 | JCD1030T1090G10 | 23 | 0.30 | 1.20 | -30~+70 | 100 | 30*33*12 | CD06 |
| 1.030 | 1.090 | JCD1030T1090G6 | 20 | 0.40 | 1.20 | -30~+70 | 60 | 25.4*25.4*12 | CD09 |
| 1.080 | 1.195 | JCD1080T1195G6 | 20 | 0.40 | 1.20 | -30~+70 | 60 | 25.4*25.4*12 | CD09 |
| 1.200 | 1.400 | JCD1200T1400G6 | 20 | 0.40 | 1.20 | -30~+70 | 60 | 25.4*25.4*12 | CD09 |
| 1.300 | 1.400 | JCD1300T1400G6 | 20 | 0.40 | 1.20 | -40~+85 | 60 | 25.4*25.4*12 | CD09 |
| 1.435 | 1.535 | JCD1435T1535G6 | 20 | 0.40 | 1.20 | -30~+70 | 60 | 25.4*25.4*12 | CD10 |
| 1.525 | 1.559 | JCD1525T1559G6 | 23 | 0.30 | 1.20 | -30~+70 | 60 | 20*25.4*12 | CD11 |
| 1.805 | 1.880 | JCD1805T1880G6 | 25 | 0.30 | 1.20 | -30~+70 | 60 | 19*19*8.2 | CD12 |
| 1.805 | 1.880 | JCD1805T1880S6 | 23 | 0.30 | 1.20 | -30~+70 | 60 | 19*19*5.6 | CD13 |
| 1.900 | 2.030 | JCD1900T2030G6 | 25 | 0.30 | 1.20 | -30~+70 | 60 | 19*19*8.2 | CD12 |
| 1.900 | 2.030 | JCD1900T2030S6 | 23 | 0.30 | 1.20 | -30~+70 | 60 | 19*19*5.6 | CD13 |
| 1.930 | 1.990 | JCD1930T1990G6 | 25 | 0.30 | 1.20 | -30~+70 | 60 | 19*19*8.2 | CD12 |
| 1.930 | 1.990 | JCD1930T1990S6 | 23 | 0.30 | 1.20 | -30~+70 | 60 | 19*19*5.6 | CD13 |
| 1.960 | 2.170 | JCD1960T2170G6 | 20 | 0.40 | 1.20 | -30~+70 | 60 | 25.4*25.4*12 | CD10 |



JQL ELECTRONICS INC.

1-888-236-9828 (USA)

1-630-930-9917 (International)

sales@jqlelectronics.com

Drop-in Circulators

| DROP-IN CIRCULATOR | | | | | | | | | |
|--------------------|-------|------------------|-----------|----------|------|------------|--------------|--------------|---------|
| FREQUENCY (GHz) | | MODEL | ISOLATION | INS LOSS | VSWR | OPERATING | PWR HANDLING | SIZE L*W*H | PACKAGE |
| F1 | F2 | NUMBER | (dB) MIN | (dB) MAX | MAX | TEMP(°c) | AVG (W) | (mm) | CODE |
| 2.070 | 2.140 | JCD2070T2140G6 | 25 | 0.30 | 1.20 | -30~+70 | 60 | 19*19*8.2 | CD12 |
| 2.070 | 2.140 | JCD2070T2140S6 | 23 | 0.30 | 1.20 | -30~+70 | 60 | 19*19*5.6 | CD13 |
| 2.095 | 2.185 | JCD2095T2185G6 | 25 | 0.30 | 1.20 | -30~+70 | 60 | 19*19*8.2 | CD12 |
| 2.095 | 2.185 | JCD2095T2185S6 | 23 | 0.30 | 1.20 | -30~+70 | 60 | 19*19*5.6 | CD13 |
| 2.100 | 2.300 | JCD2100T2300G6 | 20 | 0.40 | 1.20 | -30~+70 | 60 | 25.4*25.4*12 | CD10 |
| 2.100 | 2.300 | JCD2100T2300G2 | 23 | 0.30 | 1.20 | -30~+70 | 20 | 20*25*11.5 | CD15 |
| 2.200 | 2.300 | JCD2200T2300G6 | 20 | 0.40 | 1.25 | -30~+70 | 60 | 19*19*8.2 | CD12 |
| 2.200 | 2.300 | JCD2200T2300S6 | 20 | 0.40 | 1.25 | -30~+70 | 60 | 19*19*5.6 | CD13 |
| 2.400 | 2.500 | JCD2400T2500S6 | 23 | 0.35 | 1.20 | -30~+70 | 60 | 19*19*5.6 | CD13 |
| 2.500 | 2.700 | JCD2500T2700G2 | 23 | 0.30 | 1.20 | -30~+70 | 20 | 20*25*11.5 | CD15 |
| 2.500 | 2.800 | JCD2500T2800S1 | 20 | 0.50 | 1.25 | -40~+80 | 10 | 19*19*5.6 | CD13 |
| 2.700 | 2.900 | JCD2700T2900G2 | 23 | 0.30 | 1.20 | -30~+70 | 20 | 20*25*11.5 | CD15 |
| 2.800 | 3.300 | JCD2800T3300G2 | 18 | 0.60 | 1.25 | -30~+70 | 20 | 25*26*11.5 | CD14 |
| 2.850 | 3.550 | JCD2850T3550G2 | 22 | 0.40 | 1.20 | -15~+50 | 20 | 25*26*11.5 | CD14 |
| 2.900 | 3.100 | JCD2900T3100G2 | 20 | 0.40 | 1.25 | -30~+70 | 20 | 25*26*11.5 | CD14 |
| 3.000 | 3.400 | JCD3000T3400G2 | 20 | 0.40 | 1.25 | -30~+70 | 20 | 25*26*11.5 | CD14 |
| 3.300 | 3.700 | JCD3300T3700S2 | 22 | 0.45 | 1.22 | -40~+85 | 25 | 19*19*7.7 | CD16 |
| 3.300 | 3.800 | JCD3300T3800S2 | 20 | 0.30 | 1.20 | -30~+70 | 20 | 19*19*7.7 | CD16 |
| 3.300 | 3.800 | JCD3300T3800G2 | 20 | 0.30 | 1.20 | -40~+75 | 20 | 16*22*10.5 | CD17 |
| 3.400 | 3.700 | JCD3400T3700G2 | 23 | 0.30 | 1.20 | -30~+70 | 20 | 19*19*7.7 | CD16 |
| 3.600 | 4.200 | JCD3600T4200G2 | 20 | 0.40 | 1.20 | -40~+75 | 20 | 16*22*10.5 | CD17 |
| 3.700 | 4.200 | JCD3700T4200G2 | 20 | 0.40 | 1.20 | -40~+75 | 20 | 16*22*10.5 | CD17 |
| 3.700 | 4.300 | JCD3700T4300G2 | 20 | 0.40 | 1.20 | -40~+75 | 20 | 16*22*10.5 | CD17 |
| 4.200 | 4.400 | JCD4200T4400G2-B | 23 | 0.30 | 1.20 | -30~+70 | 20 | 19*19*7.7 | CD16 |
| 4.200 | 4.400 | JCD4200T4400G2 | 23 | 0.30 | 1.20 | -40~+75 | 20 | 16*22*10.5 | CD17 |
| 4.350 | 4.550 | JCD4350T4550G2 | 23 | 0.30 | 1.20 | -40~+75 | 20 | 16*22*10.5 | CD17 |
| 4.400 | 5.000 | JCD4400T5000G2 | 20 | 0.40 | 1.20 | -40~+75 | 20 | 16*22*10.5 | CD17 |
| 4.400 | 5.000 | JCD4400T5000G1 | 20 | 0.50 | 1.25 | -40~+75 | 10 | 12.7*12.7*6 | CD18 |
| 4.400 | 5.200 | JCD4400T5200S2 | 20 | 0.50 | 1.25 | -40~+85 | 25 | 19*19*7.7 | CD16 |
| 4.500 | 4.700 | JCD4500T4700G2 | 23 | 0.30 | 1.20 | -40~+75 | 20 | 16*22*10.5 | CD17 |
| 4.500 | 4.700 | JCD4500T4700G1 | 23 | 0.40 | 1.20 | -40~+75 | 10 | 12.7*12.7*6 | CD18 |
| 4.750 | 5.250 | JCD4750T5250G2 | 20 | 0.40 | 1.20 | -40~+75 | 20 | 16*22*10.5 | CD17 |
| 4.750 | 5.250 | JCD4750T5250G1 | 20 | 0.50 | 1.25 | -40~+75 | 10 | 12.7*12.7*6 | CD18 |
| 5.150 | 5.650 | JCD5150T5650G2 | 20 | 0.40 | 1.20 | -40~+75 | 20 | 16*22*10.5 | CD17 |
| 5.150 | 5.650 | JCD5150T5650G1 | 20 | 0.50 | 1.25 | -40~+75 | 10 | 12.7*12.7*6 | CD18 |
| 5.400 | 5.900 | JCD5400T5900G2 | 20 | 0.40 | 1.20 | -40~+75 | 20 | 16*22*10.5 | CD17 |
| 5.400 | 5.900 | JCD5400T5900G1 | 20 | 0.50 | 1.25 | -40~+75 | 10 | 12.7*12.7*6 | CD18 |
| 5.845 | 6.425 | JCD5845T6425G2 | 20 | 0.40 | 1.20 | -40~+75 | 20 | 16*22*10.5 | CD17 |
| 5.845 | 6.425 | JCD5845T6425G1 | 20 | 0.50 | 1.25 | -40~+75 | 10 | 12.7*12.7*6 | CD18 |
| 5.900 | 6.400 | JCD5900T6400G2 | 20 | 0.40 | 1.20 | -40~+75 | 20 | 16*22*10.5 | CD17 |
| 5.900 | 6.400 | JCD5900T6400G1 | 20 | 0.50 | 1.25 | -40~+75 | 10 | 12.7*12.7*6 | CD18 |
| 6.600 | 7.300 | JCD6600T7300G1 | 19 | 0.50 | 1.25 | -40~+75 | 10 | 12.7*12.7*6 | CD18 |
| 6.900 | 7.600 | JCD6900T7600G1 | 19 | 0.50 | 1.25 | -40~+75 | 10 | 12.7*12.7*6 | CD18 |
| 7.000 | 7.500 | JCD7000T7500G1 | 20 | 0.40 | 1.20 | -40~+75 | 10 | 12.7*17*8 | CD19 |
| 7.000 | 7.700 | JCD7000T7700G1 | 20 | 0.40 | 1.20 | -40~+75 | 10 | 12.7*17*8 | CD19 |
| 7.100 | 7.700 | JCD7100T7700G1 | 20 | 0.40 | 1.20 | -40~+75 | 10 | 12.7*17*8 | CD19 |
| 7.125 | 7.875 | JCD7125T7875G1 | 20 | 0.40 | 1.20 | -40~+75 | 10 | 12.7*17*8 | CD19 |
| 7.500 | 8.400 | JCD7500T8400G1 | 20 | 0.40 | 1.20 | -40~+75 | 10 | 12.7*17*8 | CD19 |
| 7.800 | 8.600 | JCD7800T8600G1 | 20 | 0.40 | 1.20 | -40~+75 | 10 | 12.7*17*8 | CD19 |



1231 Ranch View Court, Buffalo Grove, IL 60089 USA
 Tel: 1 (888) 236-9828 or 1 (630) 930-9917 Fax: 1-630-756-0017
 Website: www.jqlelectronics.com email: sales@jqlelectronics.com

Drop-in Circulators

| DROP-IN CIRCULATOR | | | | | | | | | |
|--------------------|--------|------------------|-----------|----------|------|------------|--------------|--------------|---------|
| FREQUENCY (GHz) | | MODEL | ISOLATION | INS LOSS | VSWR | OPERATING | PWR HANDLING | SIZE L*W*H | PACKAGE |
| F1 | F2 | NUMBER | (dB) MIN | (dB) MAX | MAX | TEMP(°c) | AVG (W) | (mm) | CODE |
| 8.000 | 8.500 | JCD8000T8500G1 | 20 | 0.40 | 1.25 | -40~+75 | 10 | 8.9*12.5*7.8 | CD04 |
| 8.000 | 8.500 | JCD8000T8500G1-B | 20 | 0.50 | 1.25 | -40~+75 | 10 | 8.9*12.5*5.6 | CD05 |
| 8.600 | 9.600 | JCD8600T9600G1 | 20 | 0.40 | 1.25 | -40~+75 | 10 | 8.9*12.5*7.8 | CD04 |
| 8.600 | 9.600 | JCD8600T9600G1-B | 20 | 0.50 | 1.25 | -40~+75 | 10 | 8.9*12.5*5.6 | CD05 |
| 9.000 | 10.500 | JCD9000T10K5G1 | 18 | 0.50 | 1.25 | -40~+75 | 10 | 8.9*12.5*7.8 | CD04 |
| 9.200 | 9.900 | JCD9200T9900G1 | 20 | 0.40 | 1.25 | -40~+75 | 10 | 8.9*12.5*7.8 | CD04 |
| 9.200 | 9.900 | JCD9200T9900G1-B | 20 | 0.50 | 1.25 | -40~+75 | 10 | 8.9*12.5*5.6 | CD05 |
| 9.500 | 10.500 | JCD9500T10K5G1 | 20 | 0.40 | 1.25 | -40~+75 | 10 | 8.9*12.5*7.8 | CD04 |
| 9.500 | 10.500 | JCD9500T10K5G1-B | 20 | 0.50 | 1.25 | -40~+75 | 10 | 8.9*12.5*5.6 | CD05 |
| 10.400 | 11.300 | JCD10K4T11K3G1 | 20 | 0.40 | 1.25 | -40~+75 | 10 | 8.9*12.5*7.8 | CD04 |
| 10.400 | 11.300 | JCD10K4T11K3G1-B | 20 | 0.50 | 1.25 | -40~+75 | 10 | 8.9*12.5*5.6 | CD05 |
| 10.700 | 11.950 | JCD10K7T12K0G1 | 20 | 0.40 | 1.25 | -40~+75 | 10 | 8.9*12.5*7.8 | CD04 |
| 10.700 | 11.950 | JCD10K7T12K0G1-B | 20 | 0.50 | 1.25 | -40~+75 | 10 | 8.9*12.5*5.6 | CD05 |
| 11.500 | 12.950 | JCD11K5T13K0G1 | 20 | 0.40 | 1.25 | -40~+75 | 10 | 8.9*12.5*7.8 | CD04 |
| 11.500 | 12.950 | JCD11K5T13K0G1-B | 20 | 0.50 | 1.25 | -40~+75 | 10 | 8.9*12.5*5.6 | CD05 |
| 12.100 | 12.800 | JCD12K1T12K8G1 | 20 | 0.40 | 1.25 | -40~+75 | 10 | 8.9*12.5*7.8 | CD04 |
| 12.100 | 12.800 | JCD12K1T12K8G1-B | 20 | 0.50 | 1.25 | -40~+75 | 10 | 8.9*12.5*5.6 | CD05 |
| 12.700 | 13.500 | JCD12K7T13K5G1 | 20 | 0.40 | 1.25 | -40~+75 | 10 | 8.9*12.5*7.8 | CD04 |
| 12.700 | 13.500 | JCD12K7T13K5G1-B | 20 | 0.50 | 1.25 | -40~+75 | 10 | 8.9*12.5*5.6 | CD05 |
| 12.750 | 14.500 | JCD12K7T14K5G1 | 20 | 0.40 | 1.25 | -40~+75 | 10 | 8.9*12.5*7.8 | CD04 |
| 12.750 | 14.500 | JCD12K7T14K5G1-B | 20 | 0.50 | 1.25 | -40~+75 | 10 | 8.9*12.5*5.6 | CD05 |
| 13.400 | 15.000 | JCD13K4T15K0G2 | 20 | 0.50 | 1.22 | -45~+85 | 20 | 8.9*12.5*5.6 | CD05 |
| 17.200 | 17.900 | JCD17K2T17K9G1 | 20 | 0.40 | 1.25 | -40~+75 | 10 | 8.9*12.5*7.8 | CD04 |
| 17.200 | 17.900 | JCD17K2T17K9G1-B | 20 | 0.50 | 1.25 | -40~+75 | 10 | 8.9*12.5*5.6 | CD05 |
| 17.300 | 18.100 | JCD17K3T18K1G1 | 20 | 0.40 | 1.25 | -40~+75 | 10 | 8.9*12.5*7.8 | CD04 |
| 17.300 | 18.100 | JCD17K3T18K1G1-B | 20 | 0.50 | 1.25 | -40~+75 | 10 | 8.9*12.5*5.6 | CD05 |

SELECT-A-FREQUENCY DROP-IN CIRCULATOR

| FREQUENCY (GHz) | | BANDWIDTH | ISOLATION | INS LOSS | VSWR | OPERATING | PWR HANDLING |
|-----------------|--------|-----------|-----------|----------|------|------------|--------------|
| F1 | F2 | UP TO | (dB) MIN | (dB) MAX | MAX | TEMP(°c) | (W) |
| 0.300 | 0.800 | 30MHz | 23 | 0.30 | 1.20 | -15~+60 | 150 |
| 0.800 | 1.000 | 70MHz | 23 | 0.30 | 1.20 | -15~+60 | 100 |
| 1.000 | 2.400 | 25MHz | 25 | 0.30 | 1.20 | -30~+70 | 60 |
| 1.000 | 2.400 | 70MHz | 23 | 0.30 | 1.20 | -30~+70 | 60 |
| 1.000 | 2.400 | 200MHz | 20 | 0.40 | 1.20 | -30~+70 | 60 |
| 2.000 | 3.500 | 200MHz | 23 | 0.30 | 1.20 | -30~+70 | 60 |
| 2.000 | 3.500 | 400MHz | 20 | 0.40 | 1.20 | -30~+70 | 60 |
| 3.000 | 8.000 | 300MHz | 23 | 0.30 | 1.20 | -40~+75 | 15 |
| 3.000 | 8.000 | 600MHz | 20 | 0.40 | 1.20 | -40~+75 | 15 |
| 7.000 | 18.000 | 300MHz | 23 | 0.30 | 1.20 | -40~+75 | 10 |
| 7.000 | 18.000 | 1000MHz | 20 | 0.40 | 1.20 | -40~+75 | 10 |

JQL offers customized products for specific application and frequency. Please call JQL sales engineers for details.



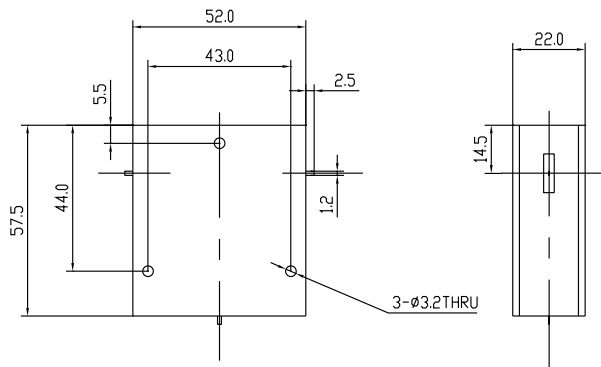
JQL ELECTRONICS INC.

1-888-236-9828 (USA)

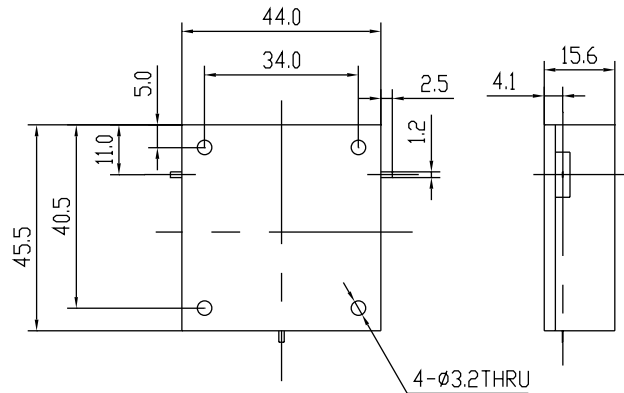
1-630-930-9917 (International)

sales@jqlelectronics.com

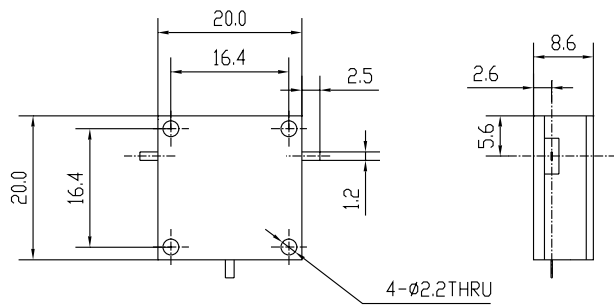
Drop-in Circulators



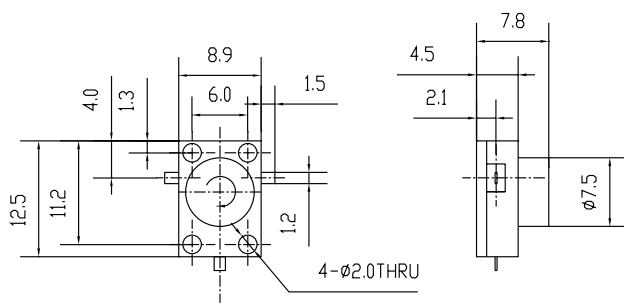
CD01- DROP-IN CIRCULATOR



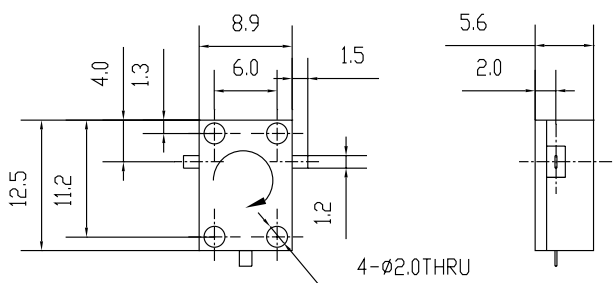
CD02- DROP-IN CIRCULATOR



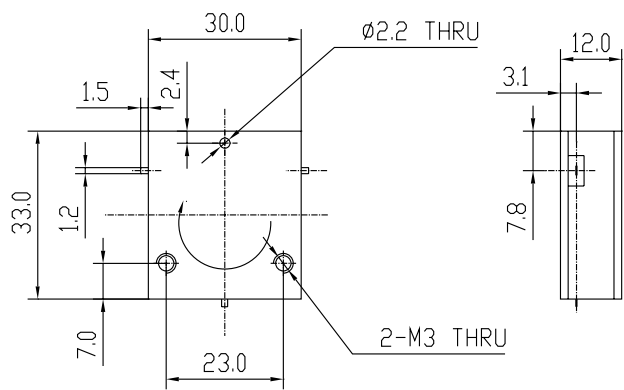
CD03- DROP-IN CIRCULATOR



CD04- DROP-IN CIRCULATOR



CD05- DROP-IN CIRCULATOR

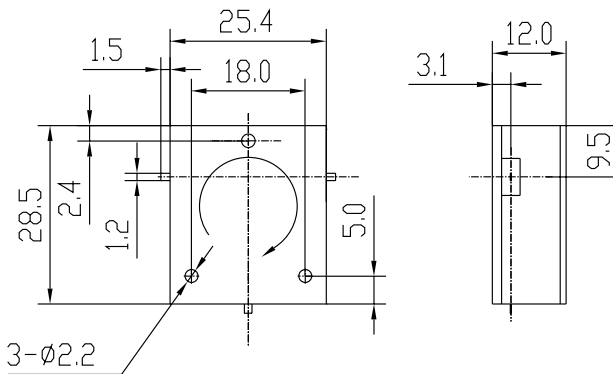


CD06- DROP-IN CIRCULATOR

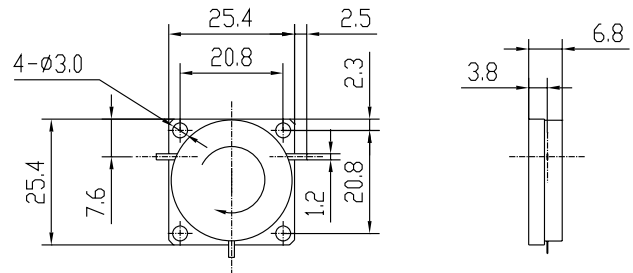


1231 Ranch View Court, Buffalo Grove, IL 60089 USA
 Tel: 1 (888) 236-9828 or 1 (630) 930-9917 Fax: 1-630-756-0017
 Website: www.jqlelectronics.com email: sales@jqlelectronics.com

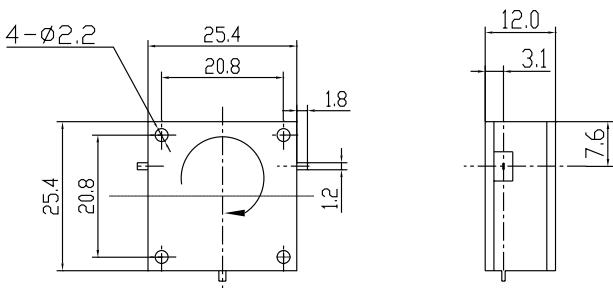
Drop-in Circulators



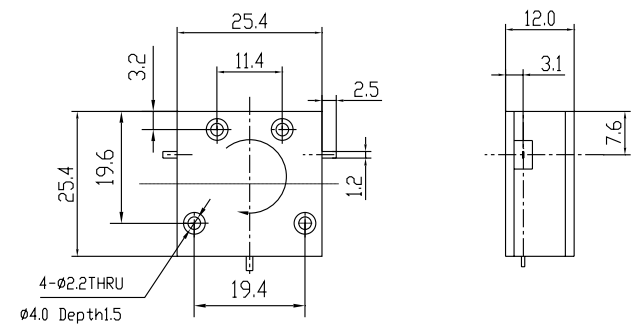
CD07- DROP-IN CIRCULATOR



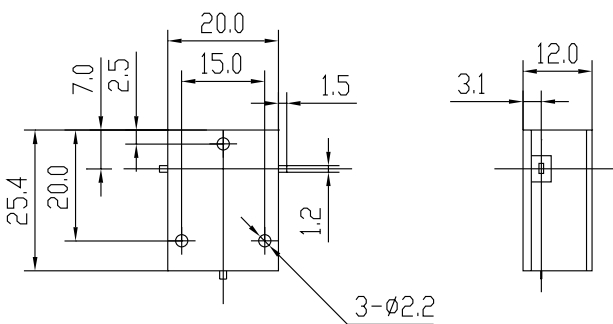
CD08- DROP-IN CIRCULATOR



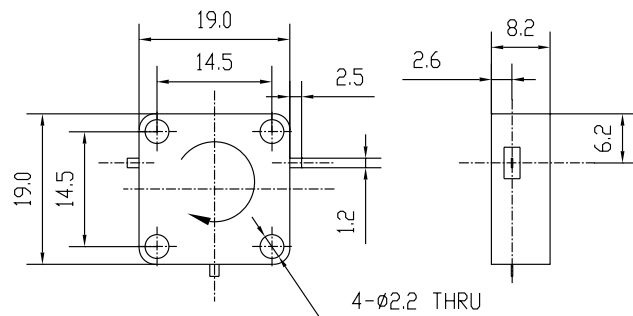
CD09- DROP-IN CIRCULATOR



CD10- DROP-IN CIRCULATOR



CD11- DROP-IN CIRCULATOR



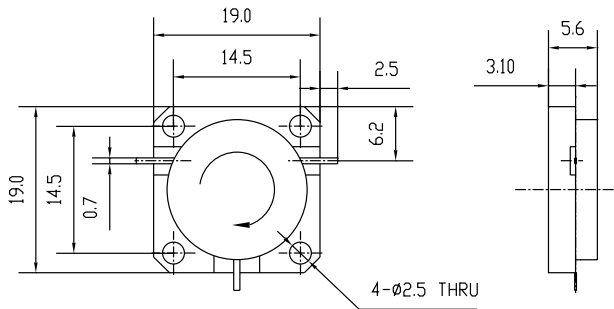
CD12- DROP-IN CIRCULATOR



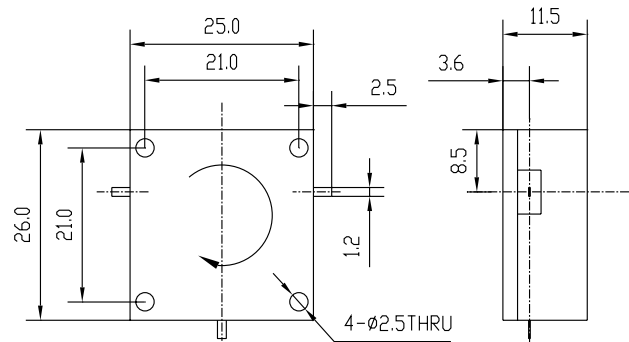
JQL ELECTRONICS INC.

1-888-236-9828 (USA) 1-630-930-9917 (International) sales@jqlelectronics.com

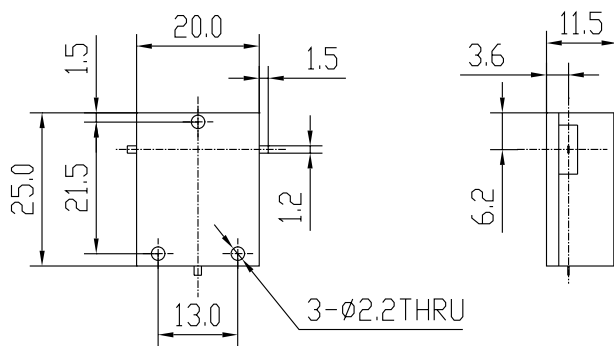
Drop-in Circulators



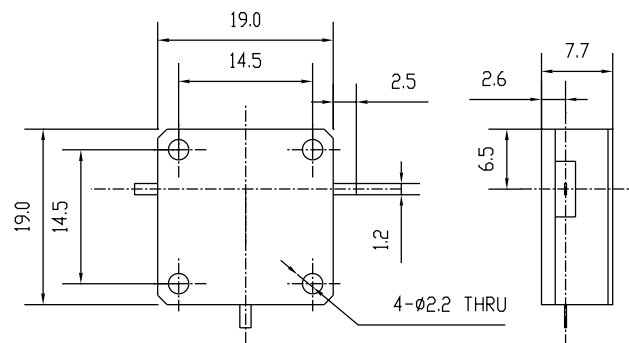
CD13- DROP-IN CIRCULATOR



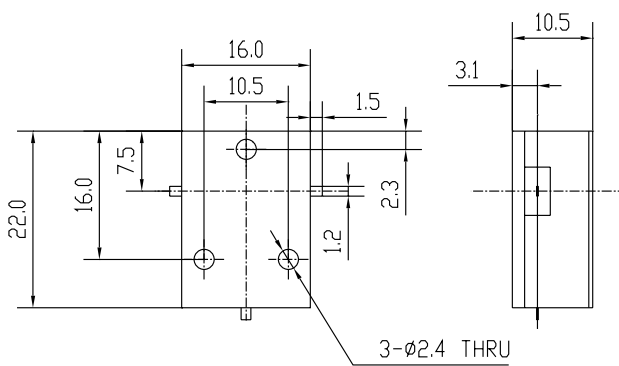
CD14- DROP-IN CIRCULATOR



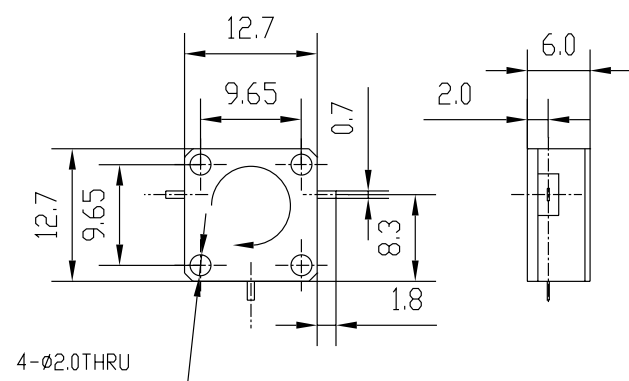
CD15- DROP-IN CIRCULATOR



CD16- DROP-IN CIRCULATOR



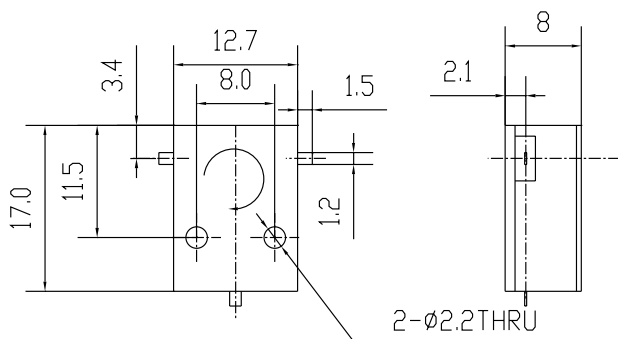
CD17- DROP-IN CIRCULATOR



CD18- DROP-IN CIRCULATOR



1231 Ranch View Court, Buffalo Grove, IL 60089 USA
 Tel: 1 (888) 236-9828 or 1 (630) 930-9917 Fax: 1-630-756-0017
 Website: www.jqlelectronics.com email: sales@jqlelectronics.com



CD19- DROP-IN CIRCULATOR



JQL ELECTRONICS INC.

1-888-236-9828 (USA) 1-630-930-9917 (International) sales@jqlelectronics.com