

Surface Mount (SMT) Circulators / Isolators

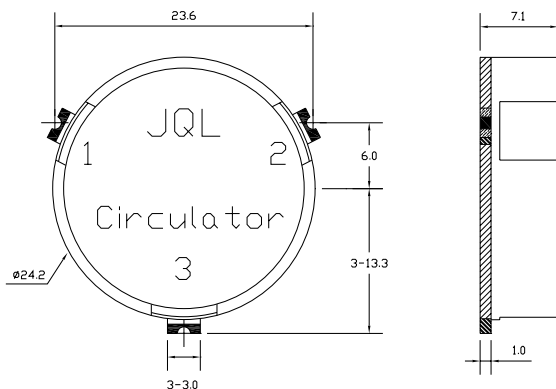
- PCS, DCS, CDMA, UMTS Band, RFID Design
- Compact Package Design for PC Board Applications
- High Isolation, Low Insertion Loss
- High Power Handling
- PCB Soldering Re-flow
- Wide Operation Temperature Range
- Custom Design Available Upon Request



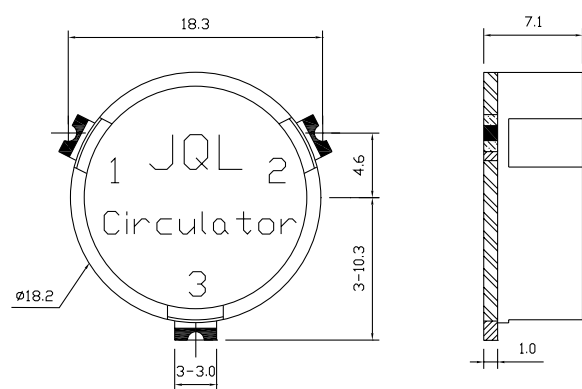
SURFACE MOUNT CIRCULATOR

FREQUENCY (GHz)		MODEL	ISOLATION	INS LOSS	VSWR	OPERATING	PWR HANDLING	CONNECTOR	ROUND SIZE	PACKAGE
F1~F2 GHz		NUMBER	(dB) MIN	(dB) MAX	MAX	TEMP(°c)	FWD/REV (W)	TYPE	dia (mm)	CODE
0.800	0.900	JCM0800T0900S1	20	0.50	1.25	-30~+75	100	SMT	Φ24.2	CM01
0.811	0.821	JCM0811T0821S1	21	0.35	1.20	-30~+75	100	SMT	Φ24.2	CM01
0.856	0.866	JCM0925T0960S1	20	0.35	1.20	-30~+75	100	SMT	Φ24.2	CM01
0.858	0.878	JCM0858T0878S1	20	0.35	1.20	-30~+75	100	SMT	Φ24.2	CM01
0.860	0.872	JCM0860T0872S1	21	0.35	1.20	-30~+75	100	SMT	Φ24.2	CM01
0.860	0.960	JCM0860T0960S1	18	0.50	1.25	-30~+75	100	SMT	Φ24.2	CM01
0.860	0.894	JCM0860T0894S1	21	0.35	1.20	-30~+75	100	SMT	Φ24.2	CM01
0.869	0.894	JCM0869T0894S1	23	0.35	1.20	-30~+75	100	SMT	Φ24.2	CM01
0.890	0.915	JCM0890T0915S1	21	0.35	1.20	-30~+75	100	SMT	Φ24.2	CM01
0.902	0.928	JCM0902T0928S1	20	0.35	1.20	-30~+75	100	SMT	Φ24.2	CM01
0.920	0.960	JCM0920T0960S1	23	0.35	1.20	-30~+75	100	SMT	Φ24.2	CM01
0.925	0.960	JCM0925T0960S1	23	0.35	1.20	-30~+75	100	SMT	Φ24.2	CM01
0.935	0.960	JCM0935T0960S1	21	0.35	1.20	-30~+75	100	SMT	Φ24.2	CM01
0.950	0.956	JCM0950T0956S1	23	0.35	1.20	-30~+75	100	SMT	Φ24.2	CM01
1.710	1.730	JCM1710T1730S1	21	0.35	1.20	-30~+75	100	SMT	Φ18.2	CM02
1.805	1.825	JCM1805T1825S1	20	0.35	1.20	-30~+75	100	SMT	Φ18.2	CM02
1.805	1.880	JCM1805T1990S1	23	0.35	1.20	-30~+75	100	SMT	Φ18.2	CM02
1.930	1.990	JCM1930T1990S1	23	0.35	1.20	-30~+75	100	SMT	Φ18.2	CM02
2.110	2.170	JCM2110T2170S1	23	0.35	1.20	-30~+75	100	SMT	Φ18.2	CM02
2.400	2.500	JCM2400T2500S1	20	0.35	1.20	-30~+75	30	SMT	Φ18.2	CM02
3.400	3.600	JCM3400T3600S1	20	0.50	1.20	-30~+75	30	SMT	Φ18.2	CM02

Surface Mount Circulator Package Outline Drawings



CM01- SURFACE MOUNT CIRCULATOR



CM02- SURFACE MOUNT CIRCULATOR



JQL ELECTRONICS INC.

1-888-236-9828 (USA)

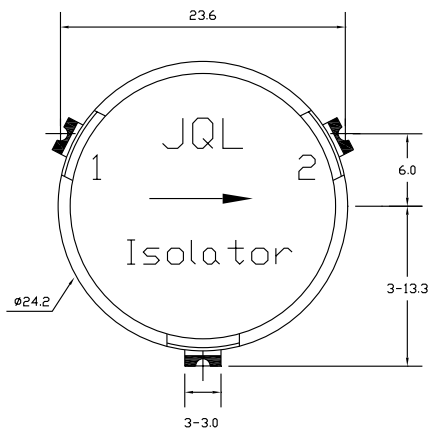
1-630-930-9917 (International)

sales@jqlelectronics.com

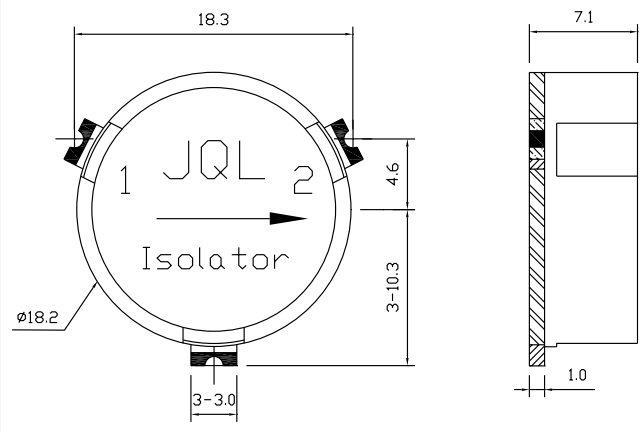
Surface Mount (SMT) Circulators / Isolators

SURFACE MOUNT ISOLATOR										
FREQUENCY (GHz)		MODEL	ISOLATION	INS LOSS	VSWR	OPERATING	PWR HANDLING	CONNECTOR	ROUND SIZE	PACKAGE
F1~F2 GHz	NUMBER	(dB) MIN	(dB) MAX	MAX	TEMP(°c)	FWD/REV (W)	TYPE	dia (mm)	CODE	
0.800	0.900	JIM0800T0900S1	20	0.50	1.25	-30~+75	100/10	SMT	Φ24.2	IM01
0.811	0.821	JIM0811T0821S1	21	0.35	1.20	-30~+75	100/10	SMT	Φ24.2	IM01
0.856	0.866	JIM0925T0960S1	20	0.35	1.20	-30~+75	100/10	SMT	Φ24.2	IM01
0.858	0.878	JIM0858T0878S1	20	0.35	1.20	-30~+75	100/10	SMT	Φ24.2	IM01
0.860	0.872	JIM0860T0872S1	21	0.35	1.20	-30~+75	100/10	SMT	Φ24.2	IM01
0.860	0.960	JIM0860T0960S1	18	0.50	1.25	-30~+75	100/10	SMT	Φ24.2	IM01
0.860	0.894	JIM0860T0894S1	21	0.35	1.20	-30~+75	100/10	SMT	Φ24.2	IM01
0.869	0.894	JIM0869T0894S1	23	0.35	1.20	-30~+75	100/10	SMT	Φ24.2	IM01
0.890	0.915	JIM0890T0915S1	21	0.35	1.20	-30~+75	100/10	SMT	Φ24.2	IM01
0.902	0.928	JIM0902T0928S1	20	0.35	1.20	-30~+75	100/10	SMT	Φ24.2	IM01
0.920	0.960	JIM0920T0960S1	23	0.35	1.20	-30~+75	100/10	SMT	Φ24.2	IM01
0.925	0.960	JIM0925T0960S1	23	0.35	1.20	-30~+75	100/10	SMT	Φ24.2	IM01
0.935	0.960	JIM0935T0960S1	21	0.35	1.20	-30~+75	100/10	SMT	Φ24.2	IM01
0.950	0.956	JIM0950T0956S1	23	0.35	1.20	-30~+75	100/10	SMT	Φ24.2	IM01
1.710	1.730	JIM1710T1730S1	21	0.35	1.20	-30~+75	100/10	SMT	Φ18.2	IM02
1.805	1.825	JIM1805T1825S1	20	0.35	1.20	-30~+75	100/10	SMT	Φ18.2	IM02
1.805	1.880	JIM1805T1990S1	23	0.35	1.20	-30~+75	100/10	SMT	Φ18.2	IM02
1.930	1.990	JIM1930T1990S1	23	0.35	1.20	-30~+75	100/10	SMT	Φ18.2	IM02
2.110	2.170	JIM2110T2170S1	23	0.35	1.20	-30~+75	100/10	SMT	Φ18.2	IM02
2.400	2.500	JIM2400T2500S1	20	0.35	1.20	-30~+75	30/10	SMT	Φ18.2	IM02
3.400	3.600	JIM3400T3600S1	20	0.50	1.20	-30~+75	30/10	SMT	Φ18.2	IM02

Surface Mount Isolator Package Outline Drawings



IM01- SURFACE MOUNT ISOLATOR



IM02- SURFACE MOUNT ISOLATOR

JQL offers customized products for specific application and frequency. Please call JQL sales engineers for details.



1231 Ranch View Court, Buffalo Grove, IL 60089 USA
Tel: 1 (888) 236-9828 or 1 (630) 930-9917 Fax: 1-630-756-0017
Website: www.jqlelectronics.com email: sales@jqlelectronics.com