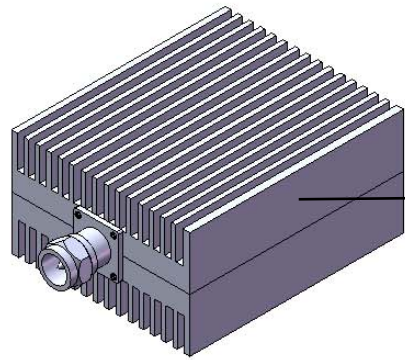


1	2	3	4	5	6			
Document No.	QR4-700-T-003			REV.	DESCRIPTION	REVISOR	DATE	APPROVE
REV.	A/0			0		MH	06.06.12	CH



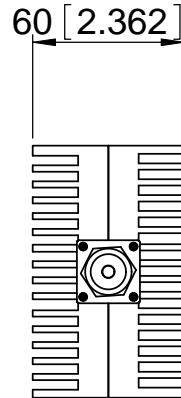
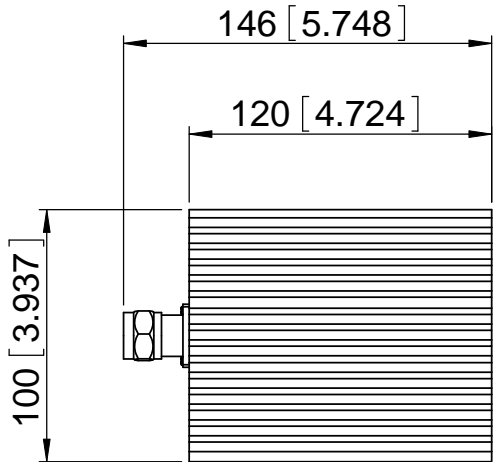
JQL
P/N: J-N-50JR-100W
S/N: YYWWXXXX

Label

SPECIFICATIONS

P/N: J-N-50JR-100W
FREQ: 0~3GHz

IMPEDANCE: 50 Ohm
VSWR: 1.16:1 MAX
PWR: 100W
CONNECTOR: N-M



This document is the property of JQL Electronic Inc.
It cannot be copied, duplicated, used for manufacturing purposes
or communicated to third party as a whole or partly,
without the written consent of JQL Electronic Inc.

JQL JQL Electronic Inc		500 Lake Cook Road, Suite 350 Deerfield, IL 60015, USA		Tel : 1(888)236-9828 Fax: 1(630)823-2902	
MATERIAL:	ALUM	DWG NO. J-N-50JR-100W			
SURFACE TREATMENT:	PAINT			NAME	DATE
DESCRIPTION:	COAX TERMINATION	DWG BY:	MH	06.06.12	SCALE: 1:3
		CHK'D BY:			
		APPV'D BY:			
Unit: mm[inch]	TOLERANCE: Liner: ±0.1mm Angular: ±0.5°	Type Of Projection 			