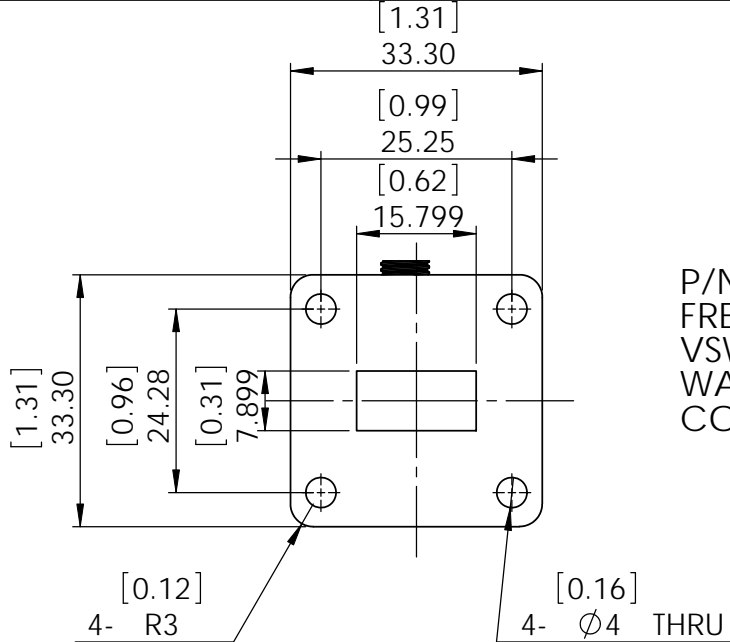
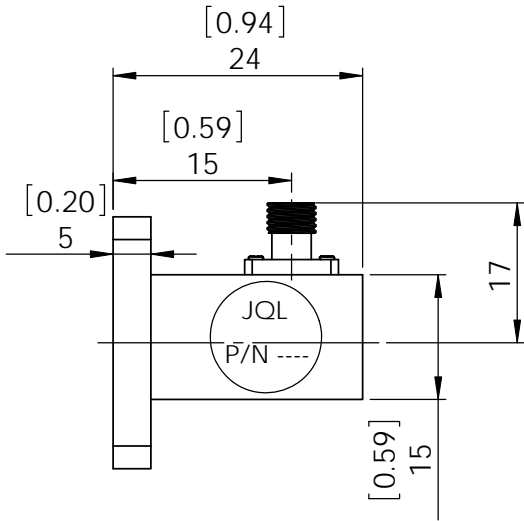
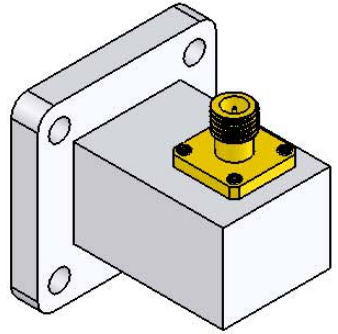
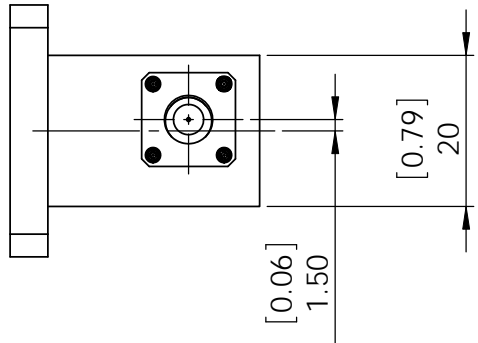


5		6		
REV.	DESCRIPTION	REVISOR	DATE	APPROVE



**SPEICIFICATIONS**

P/N: JACWR62SF  
 FREQ: 12.00~18.00GHz  
 VSWR: 1.20:1 MAX  
 WAVEGUIDE: WR62  
 CONNECTOR: SMA-F



This document is the property of JQL Electronic Inc. It cannot be copied, duplicated, used for manufacturing purposes or communicated to third party as a whole or partly, without the written consent of JQL Electronic Inc.

**JQL JQL Electronic Inc** 500 Lake Cook Road, Suite 350 Deerfield, IL 60015, USA Tel : 1(888)236-9828 Fax: 1(630)823-2902

MATERIAL:  
**ALUMINUM**

DWG NO.  
**JACWR62SF**

SURFACE TREATMENT:

	NAME	DATE	SIGNATURE	REV:
DWG BY:	SY	10.31.08		0
CHK'D BY:	GC	10.31.08		
APPV'D BY:	JZ	10.31.08		

DESCRIPTION:  
**WAVEGUIDE COAX ADAPTOR**

TOLERANCE  
 Liner: ±0.1mm  
 Angular: ±0.5°  
 Q.A  
**A4**