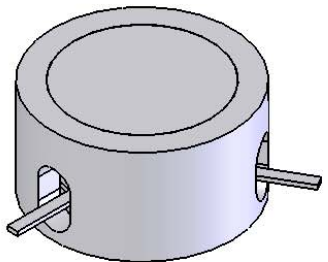
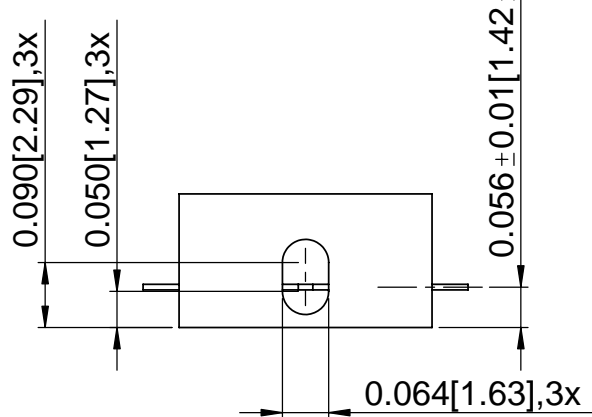


1 2 3 4 5 6

Stock Number

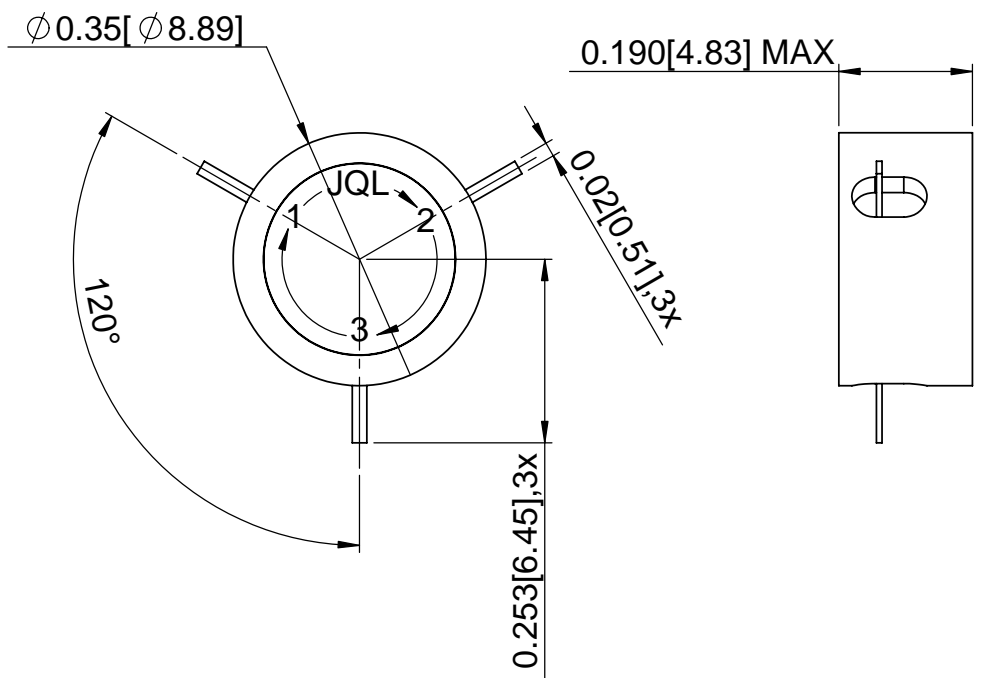
REV.	DESCRIPTION	REVISOR	DATE	APPROVE
0		CG	10.27.10	CH



SPECIFICATION

Part's Number: JCM12K7T13K5ZM1
 Frequency: 12.7~13.5GHz
 Direction: CW
 Insertion Loss: 0.5dB
 Isolation: 19dB
 VSWR: 1.25:1
 Power: 10W
 Temperature: -40 °C~+85 °C

*** P/N will not be placed at unit, due to the limited area. P/N will be only showed at the packaging



This document is the property of JQL Electronic Inc. It cannot be copied, duplicated, used for manufacturing purposes or communicated to third party as a whole or partly, without the written consent of JQL Electronic Inc.

JQL JQL Electronic Inc		500 Lake Cook Road, Suite 350 Deerfield, IL 60015, USA		Tel : 1(888)236-9828 Fax: 1(630)823-2902	
MATERIAL: Steel		DWG NO. JCM12K7T13K5ZM1			
SURFACE TREATMENT: Silver Plating		NAME CG		DATE 10.27.10	
DESCRIPTION: DROP-IN CIRCULATOR		CHK'D BY: FW		SCALE: 1:1	
		APPVD BY: CH		Type Of Projection 	
		Unit: inch			

1 2 3 4 5 6 WEIGHT: SHEET 1 OF 1