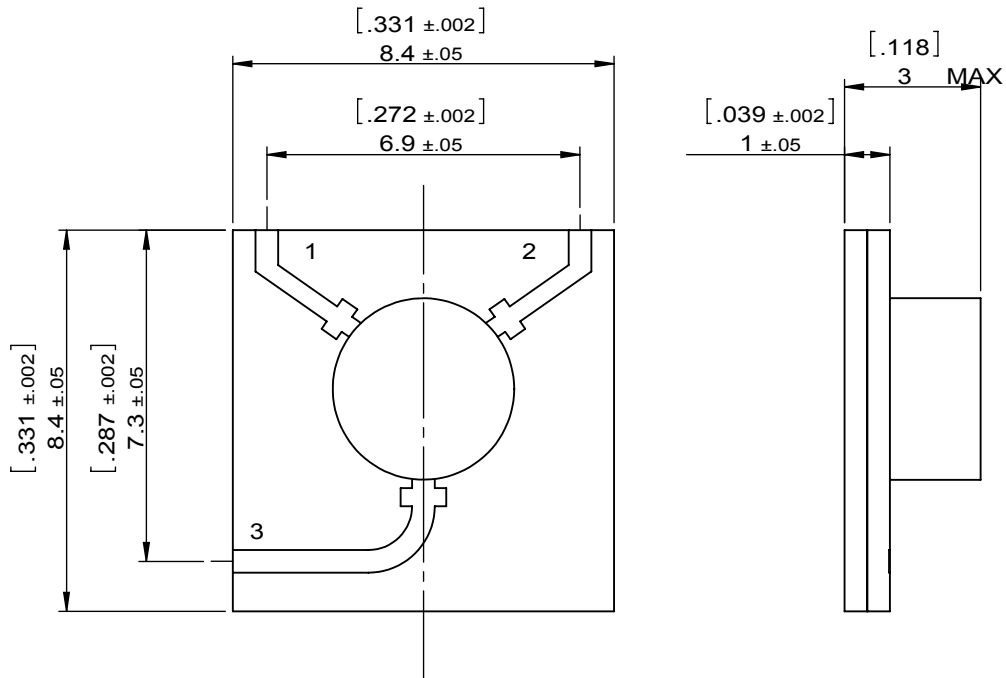
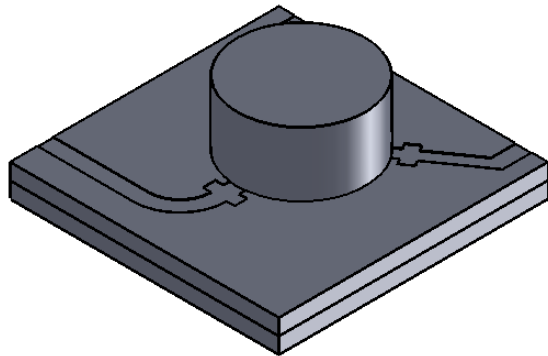


1		2		3		4		5		6	
Document No. QR4-700-T-003								REV.		DESCRIPTION	
REV. A/0								0		ZC.Wu	
								12.25.2014		APPROVED David	



SPECIFICATIONS	
Part's Number	JCS9000T9200G0
Frequency(GHz)	9.000~9.200
Direction	CW
Insertion Loss(dB)MAX	0.50
Isolation(dB)MIN	19.0
Return Loss(dB)MIN	18.0
3rd IMD(dBc)MAX	-
Power FWD/REV/PK(Watt)	15/15/-
Operating Temperature(°C)	-
Storage Temperature(°C)	-
2nd/3rd Harmonic(dBc)	-
Termination/Attenuator(Watt/dB)	-
Tab(W×LG×THK)(mm[Inch])	-
Additional Notes	-

JQL JQL Electronic Inc				
MATERIAL: -		DWG NO: JCS9000T9200G0		
SURFACE TREATMENT: -		DWG BY:	ZC.Wu	12.25.2014
DESCRIPTION: MICRSTRIP CIRCULATOR		CHK'D BY:		SCALE
		APPV'D BY:		6:1
Unit:	Tolerance:	The First:		A4
mm[inch]	Liner: ±0.25 Anguar: ±0.5°			



This document is the property of JQL Electronic Inc. It cannot be copied, duplicated, used for manufacturing purposes or communicated to third party as a whole or partly, without the written consent of JQL Electronic Inc.