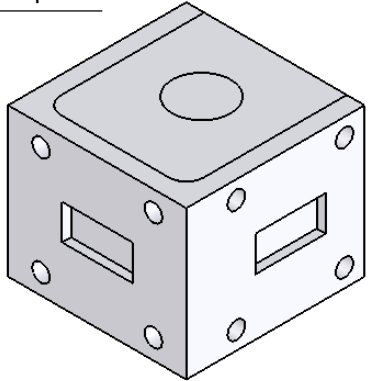
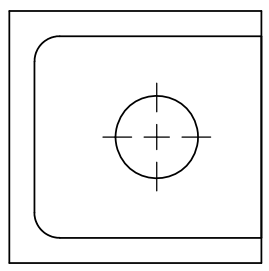
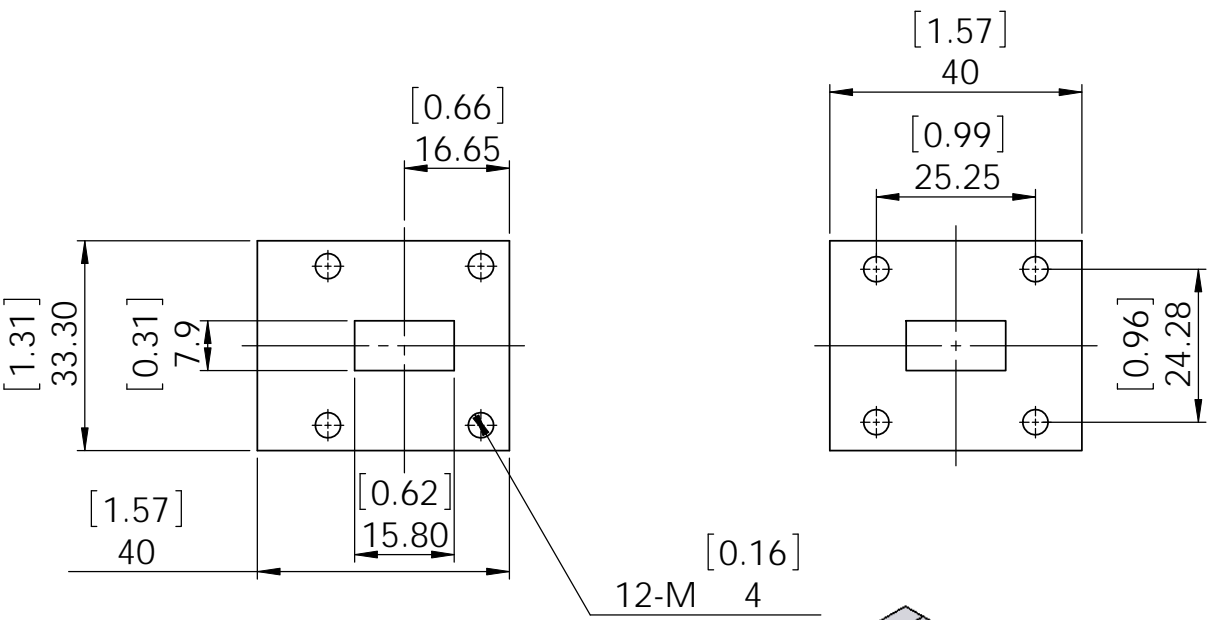


5		6		
REV.	DESCRIPTION	REVISOR	DATE	APPROVE

SPECIFICATIONS

P/N: JCWR62-40-14K0T15K3
 FREQ: 14.0~15.3GHz

ISOLATION: 25dB MIN
 INS LOSS: 0.25dB MAX
 VSWR: 1.12:1 MAX
 PWR: 10W
 TEMP: -40C~+85C
 WAVEGUIDE: WR62



This document is the property of JQL Electronic Inc.
 It cannot be copied, duplicated, used for manufacturing purposes
 or communicated to third party as a whole or partly,
 without the written consent of JQL Electronic Inc.

JQL JQL Electronic Inc 500 Lake Cook Road, Suite 350 Tel: 1(888)236-9828
 Deerfield, IL 60015, USA Fax: 1(630)823-2902

MATERIAL:	DWG NO.			
SURFACE TREATMENT:	JCWR62-40-14K0T15K3			
DESCRIPTION:	NAME	DATE	SIGNATURE	REV:
	DWG BY: SY			0
	CHK'D BY: GC			
WAVEGUIDE CIRCULATOR	APPV'D BY: JZ			
	TOLERANCE		Q.A	A4
	Liner: ±0.1mm			
	Angular: ±0.5°			