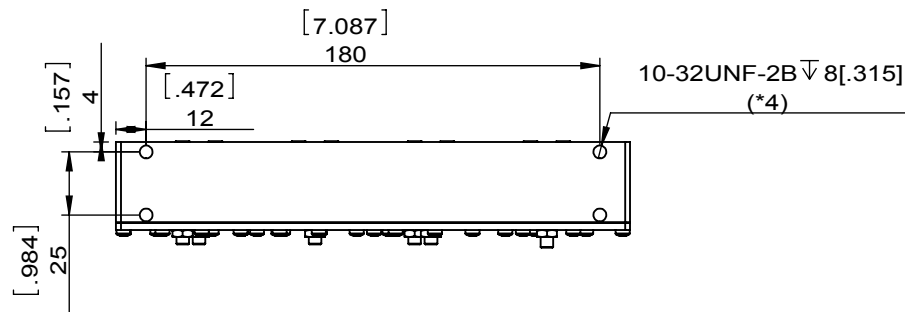
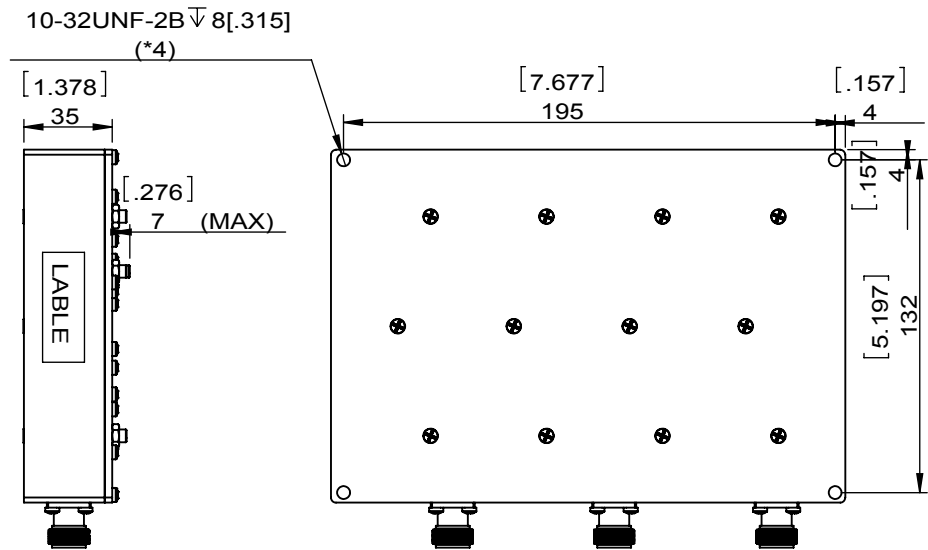
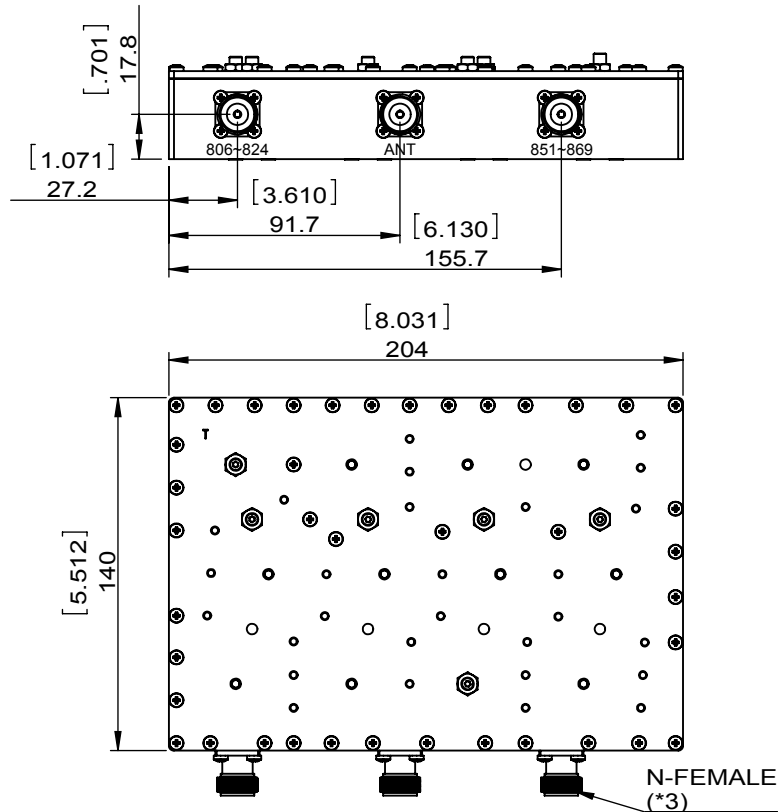


1		2		3		4		5		6	
Document No.	QR4-700-T-003	REV.	A/0	REV.	DESCRIPTION	REVISOR	DATE	APPROVED			
		0				ZQ.Hou	09.30.2014	David			




This document is the property of JQL Electronic Inc. It cannot be copied, duplicated, used for manufacturing purposes or communicated to third party as a whole or partly, without the written consent of JQL Electronic Inc.

JQL JQL Electronic Inc				
MATERIAL:		DWG NO:		
		JFCD0806T0869N		
SURFACE TREATMENT:		DWG BY:	ZQ.Hou	09.30.2014
PAINTED BLACK		CHK'D BY:		SCALE
DESCRIPTION:		APPV'D BY:		1:3
DUPLEXER		Unit:	Tolerance:	The First:
		mm[inch]	Liner: ±0.25	
			Anguar: ±0.5°	A4

1		2		3		4		5		6	
Document No.	QR4-700-T-003					REV.	DESCRIPTION	REVISOR	DATE	APPROVED	
REV.	A/0					0		ZQ.Hou	09.30.2014	David	

ITEM	SPECIFICATIIONS	
Frequency(MHz)	806~824	851~869
Insetion Loss(dB)	1.5 Max	
Ripple(dB)	0.8 Max	
Rejection(dB)	80 Min Between T/R	
Return Loss(dB)	20 Min	
Impedance(Ω)	50	
Power(W)	100	
	-20~+70	
Connector	N-Female	
Notes		

JQL JQL Electronic Inc				
MATERIAL:		DWG NO:		
		JFCD0806T0869N		
SURFACE TREATMENT:		DWG BY:	ZQ.Hou	09.30.2014
PAINTED BLACK		CHK'D BY:		SCALE
DESCRIPTION:		APPV'D BY:		1:3
DUPLEXER		Unit:	Tolerance:	The First:
		mm[inch]	Liner: ± 0.25	
			Anguar: $\pm 0.5^\circ$	A4



This document is the property of JQL Electronic Inc.
It cannot be copied, duplicated, used for manufacturing purposes
or communicated to third party as a whole or partly,
without the written consent of JQL Electronic Inc.