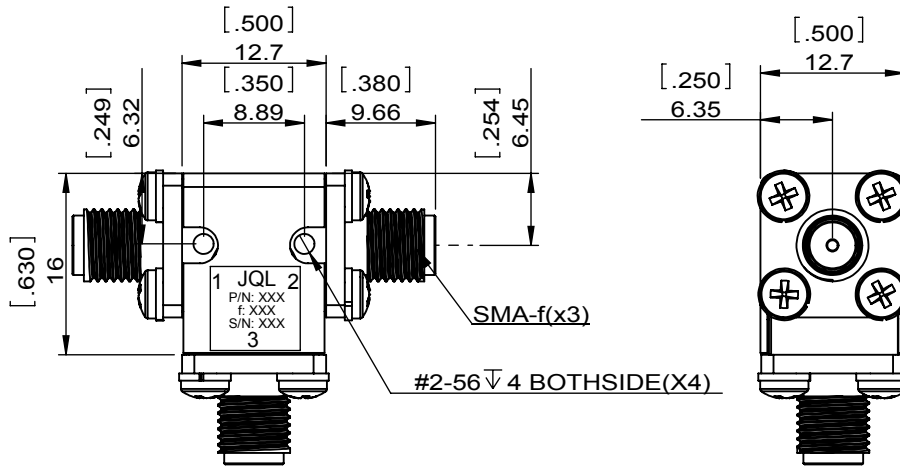
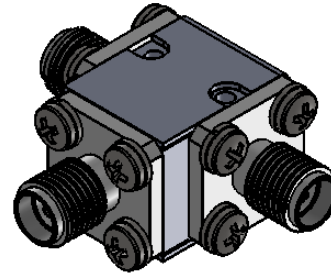
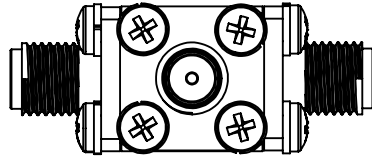


1		2		3		4		5		6	
Document No.	QR4-700-T-003					REV.	DESCRIPTION	REVISOR	DATE	APPROVED	
REV.	A/0					0		ZC.Wu	06.16.2015	David	



SPECIFICATIONS	
Part's Number	JCC12K0T18K0S1R
Frequency(GHz)	12.000~18.000
Direction	CW
Insertion Loss(dB)MAX	0.6
Isolation(dB)MIN	20.0
Return Loss(dB)MIN	17.7
3rd IMD(dBc)MAX	-
Power FWD/REV/PK(Watt)	10/10/-
Operating Temperature(°C)	-30~+70
Storage Temperature(°C)	-
2nd/3rd Harmonic(dBc)	-
Termination/Attenuator(Watt/dB)	-
Tab(W×LG×THK)(mm[Inch])	-
Additional Notes	Connector: SMA-f-



This document is the property of JQL Electronic Inc. It cannot be copied, duplicated, used for manufacturing purposes or communicated to third party as a whole or partly, without the written consent of JQL Electronic Inc.

JQL JQL Electronic Inc	
MATERIAL: STEEL	DWG NO: JCC12K0T18K0S1R
SURFACE TREATMENT: NICKEL PLATING	DWG BY: ZC.Wu 06.16.2015 SCALE
DESCRIPTION: COAXIAL ISOLATOR	CHK'D BY: APPV'D BY: Unit: mm[inch] Tolerance: Liner: ±0.25 Anguar: ±0.5° The First:
	3:2 A4