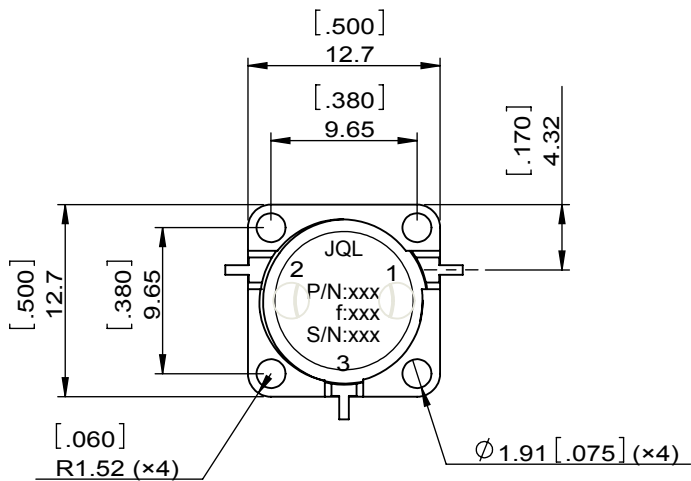
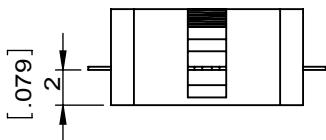
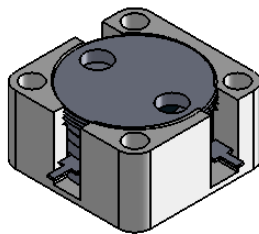


1		2		3		4		5		6		
Document No.		QR4-700-T-003		REV.		A/0		REV.	DESCRIPTION	REVISOR	DATE	APPROVED
								0		ZC.Wu	05.28.2014	CH



SPECIFICATIONS	
Part's Number	JCD10K5T10K9VM4C
Frequency(GHz)	10.50~10.90
Direction	CCW
Insertion Loss(dB)MAX	0.4dB/0.35dB typical
Isolation(dB)MIN	20.0
Return Loss(dB)MIN	20.0
3rd IMD(dBc)MAX	-
Power FWD/REV/PK(Watt)	-See Notes
Operating Temperature(°C)	-40~85
Storage Temperature(°C)	-
2nd/3rd Harmonic(dBc)	-
Termination/Attenuator(Watt/dB)	-
Tab(W×LG×THK)(mm[Inch])	0.635[0.03]×1.5[0.06]×0.2[0.01]
Additional Notes	PWR: Peak: 400w, 30usec.

JQL JQL Electronic Inc				
MATERIAL: STEEL		DWG NO: JCD10K5T10K9VM4C		
SURFACE TREATMENT: NICKEL PLATING		DWG BY:	ZC.Wu	2014/5/28
DESCRIPTION: DROP-IN CIRCULATOR		CHK'D BY:		SACLE
		APPV'D BY:		1:1
		Unit: mm[inch]	Tolerance: Liner: ±0.25 Anguar: ±0.5°	The First:
				A4



This document is the property of JQL Electronic Inc. It cannot be copied, duplicated, used for manufacturing purposes or communicated to third party as a whole or partly, without the written consent of JQL Electronic Inc.