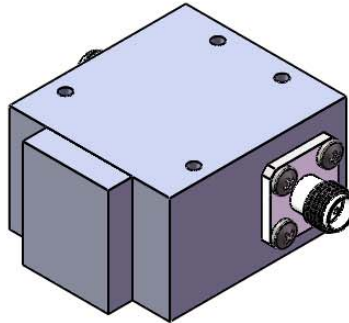
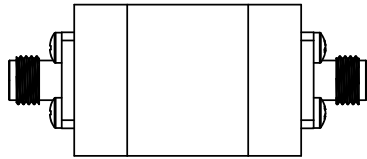


Document No. QR4-700-T-003

REV. A/0

REV.	DESCRIPTION	REVISOR	DATE	APPROVE
0		MH	12.27.12	CH

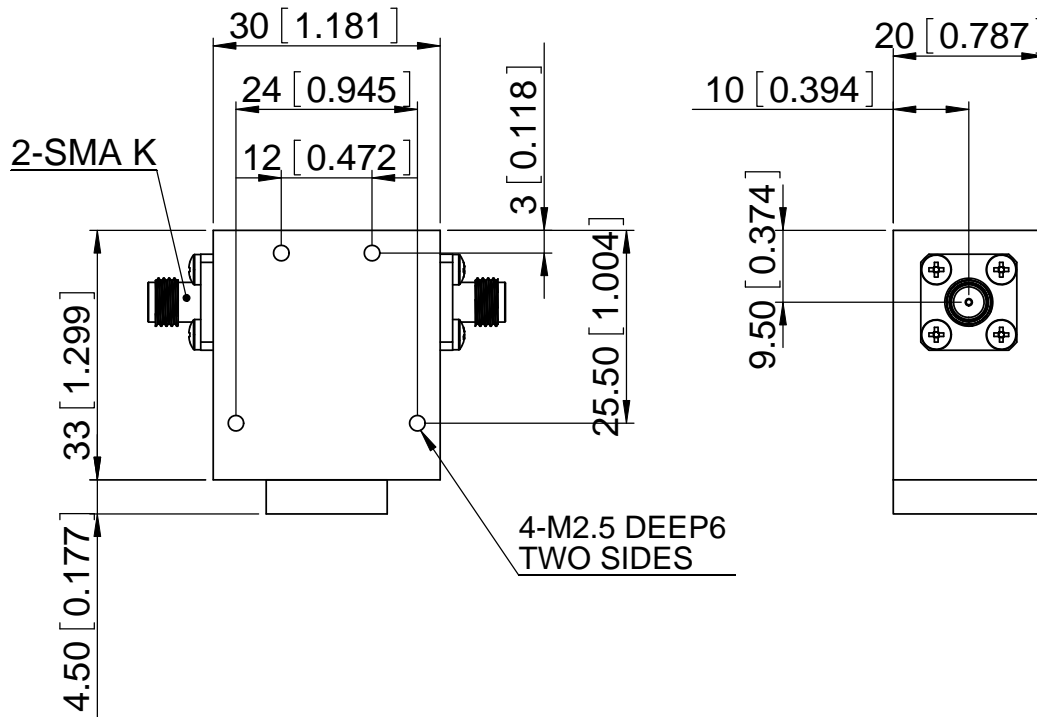


SPECIFICATIONS

P/N: JIC1100T1600S1R
 FREQ: 1.1~1.6GHz

ISOLATION: 17dB MIN
 INSERTION LOSS: 0.5dB MAX
 RETURN LOSS: 17dB MIN
 PWR FWD/REV: 60W/10W
 CONNECTOR: SMA-F
 CIRCULATION: CLOCKWISE
 TEMPERATURE OPERATING: -30C~+70C
 STORAGE: -55C~+125C

NOTE: SEALED & PAINTED



4-M2.5 DEEP6
TWO SIDES



This document is the property of JQL Electronic Inc. It cannot be copied, duplicated, used for manufacturing purposes or communicated to third party as a whole or partly, without the written consent of JQL Electronic Inc.

JQL Electronic Inc

MATERIAL: STEEL	DWG NO. JIC1100T1600S1R		
SURFACE TREATMENT: NICKEL PLATING	NAME	DATE	SCALE:
	DWG BY: MH	12.27.12	1:1
DESCRIPTION: COAX ISOLATOR	CHK'D BY:		Type Of Projection
	APPV'D BY:		
Unit: mm[inch]	TOLERANCE: Liner: ±0.1mm Angular: ±0.5°		A4

WEIGHT: