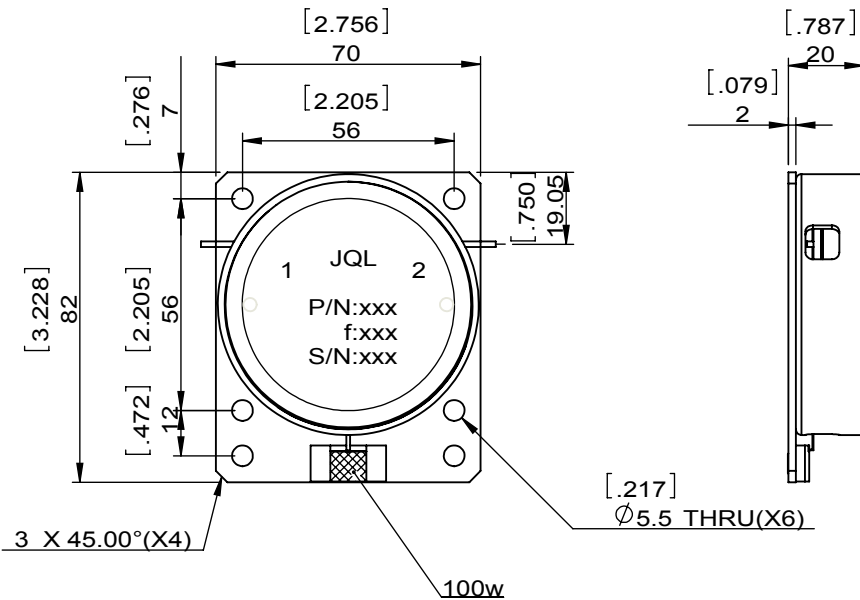
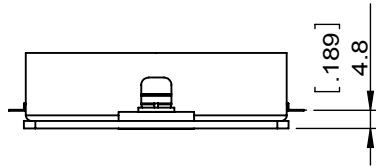
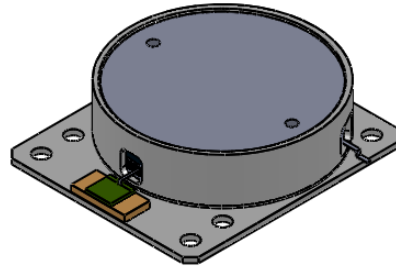


1	2
Document No.	QR4-700-T-003
REV.	A/0

4	5	6		
REV.	DESCRIPTION	REVISOR	DATE	APPROVED
0		ZC.Wu	10.17.2014	David



SPECIFICATIONS	
Part's Number	JID0136T0150EM15
Frequency(GHz)	0.136~0.150
Direction	CW
Insertion Loss(dB)MAX	0.5
Isolation(dB)MIN	18
Return Loss(dB)MIN	18
3rd IMD(dBc)MAX	
Power FWD/REV/PK(Watt)	150/100/-
Operating Temperature(°C)	-20~+75
Storage Temperature(°C)	
2nd/3rd Harmonic(dBc)	-
Termination/Attenuator(Watt/dB)	100W
Tab(W×LG×THK)(mm[Inch])	1.5[0.060]X4.0[0.157]X0.25[0.010]
Additional Notes	-

<b>JQL</b> JQL Electronic Inc				
<b>MATERIAL:</b> STEEL		<b>DWG NO:</b> JID0136T0150EM15		
<b>SURFACE TREATMENT:</b> NICKEL PLATING		DWG BY:	ZC.Wu	10.17.2014
<b>DESCRIPTION:</b> DROP IN ISOLATOR		CHK'D BY:		SCALE
		APPV'D BY:		1:2
		Unit: mm[inch]	Tolerance: Liner: ±0.25 Anguar: ±0.5°	The First: 
				A4



This document is the property of JQL Electronic Inc. It cannot be copied, duplicated, used for manufacturing purposes or communicated to third party as a whole or partly, without the written consent of JQL Electronic Inc.