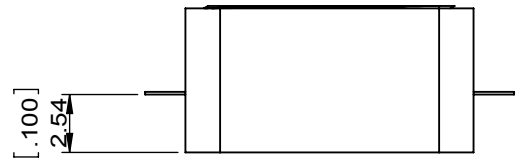
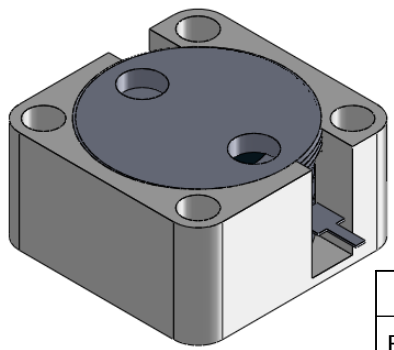
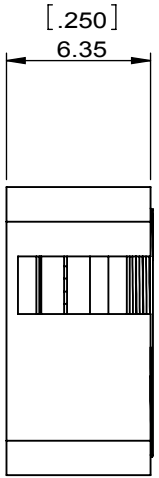
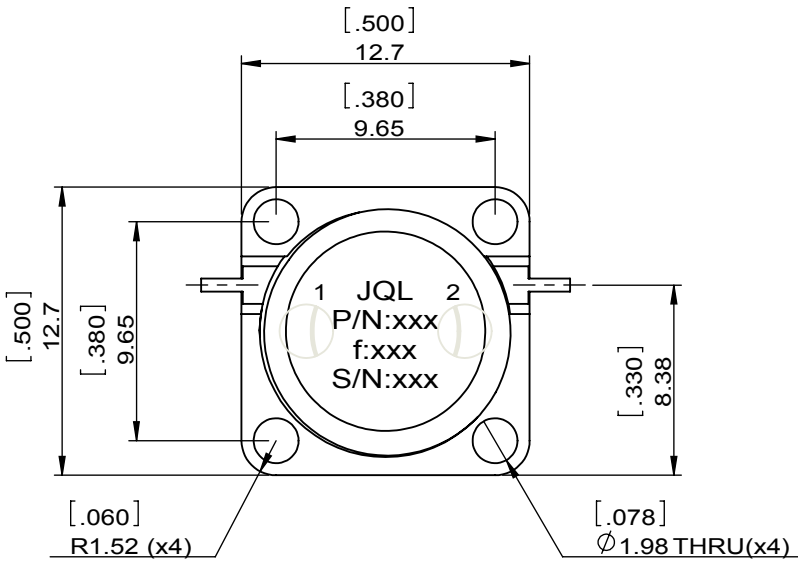


1		2		3		4		5		6	
Document No.	QR4-700-T-003					REV.	DESCRIPTION	REVISOR	DATE	APPROVED	
REV.	A/0					0		ZC.Wu	11.18.2014	David	



SPECIFICATIONS	
Part's Number	JID10K7T11K7VM0
Frequency(GHz)	10.70~11.7
Direction	CW
Insertion Loss(dB)MAX	0.50
Isolation(dB)MIN	20.0
Return Loss(dB)MIN	20.0
3rd IMD(dBc)MAX	-
Power FWD/REV/PK(Watt)	5/1/-
Operating Temperature(°C)	-40~+85
Storage Temperature(°C)	-
2nd/3rd Harmonic(dBc)	-
Termination/Attenuator(Watt/dB)	-
Tab(W×LG×THK)(mm[Inch])	0.64[0.025]x1.78[0.07]x0.13[0.005]
Additional Notes	-



JQL JQL Electronic Inc				
MATERIAL: STEEL		DWG NO: JID10K7T11K7VM0		
SURFACE TREATMENT: NICKEL PLATING		DWG BY:	ZC.Wu	11.18.2014
DESCRIPTION: DROP-IN ISOLATOR		CHK'D BY:		SACLE
		APPV'D BY:		3:1
		Unit: mm[inch]	Tolerance: Liner: ±0.25 Anguar: ±0.5°	The First:
				A4

RoHS COMPLIANCE
This document is the property of JQL Electronic Inc. It cannot be copied, duplicated, used for manufacturing purposes or communicated to third party as a whole or partly, without the written consent of JQL Electronic Inc.