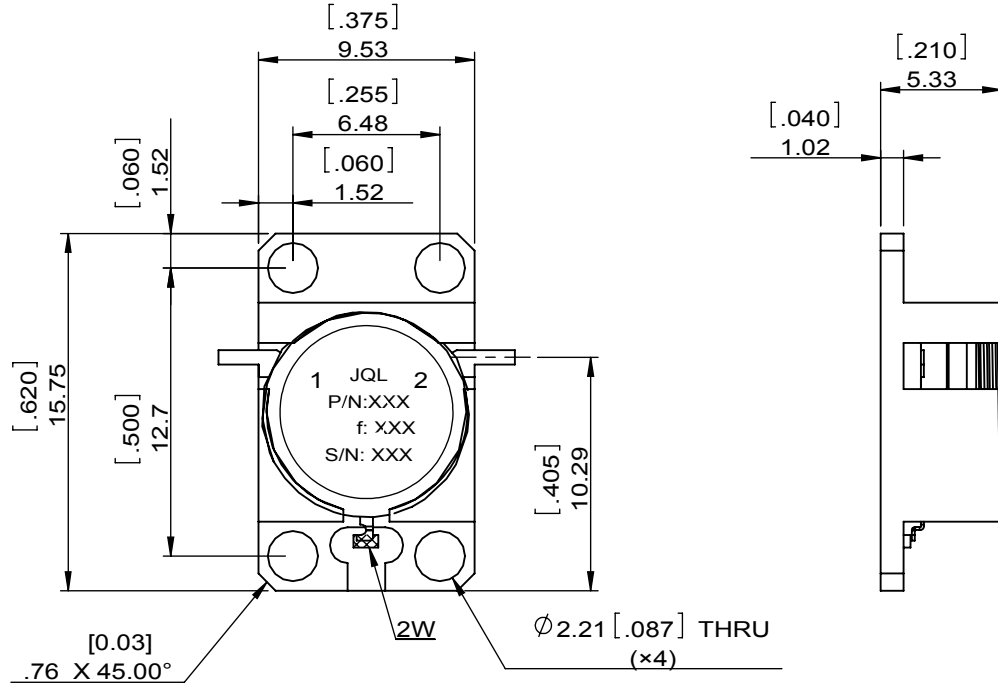
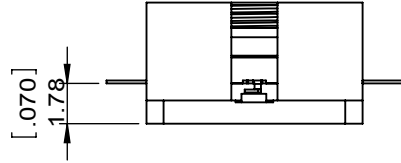
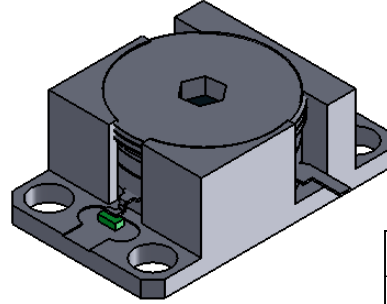


1		2		3		4		5		6	
Document No.	QR4-700-T-003	REV.	A/0	REV.	DESCRIPTION	REVISOR	DATE	APPROVED			
				0		ZC.Wu	03.18.2015	David			



SPECIFICATIONS	
Part's Number	JID27K0T30K0JM0
Frequency(GHz)	27.00~30.00
Direction	CW
Insertion Loss(dB)MAX	1.0
Isolation(dB)MIN	18.0
Return Loss(dB)MIN	18.0
3rd IMD(dBc)MAX	-
Power FWD/REV/PK(Watt)	1/1/-
Operating Temperature($^\circ$ C)	-30~+80
Storage Temperature($^\circ$ C)	-
2nd/3rd Harmonic(dBc)	-
Termination/Attenuator(Watt/dB)	2
Tab(W \times LG \times THK)(mm[Inch])	0.64[0.025] \times 1.78[0.07] \pm 0.51[0.02] \times 0.13[0.005] \pm 0.03[0.001]
Additional Notes	-

JQL JQL Electronic Inc				
MATERIAL: STEEL		DWG NO: JID27K0T30K0JM0		
SURFACE TREATMENT: NICKEL PLATING		DWG BY:	ZC.Wu	03.18.2015
DESCRIPTION: DROP-IN ISOLATOR		CHK'D BY:		SCALE
		APPV'D BY:		3:1
		Unit: mm[inch]	Tolerance: Liner: ± 0.25 Anguar: $\pm 0.5^\circ$	The First:
				A4



This document is the property of JQL Electronic Inc. It cannot be copied, duplicated, used for manufacturing purposes or communicated to third party as a whole or partly, without the written consent of JQL Electronic Inc.