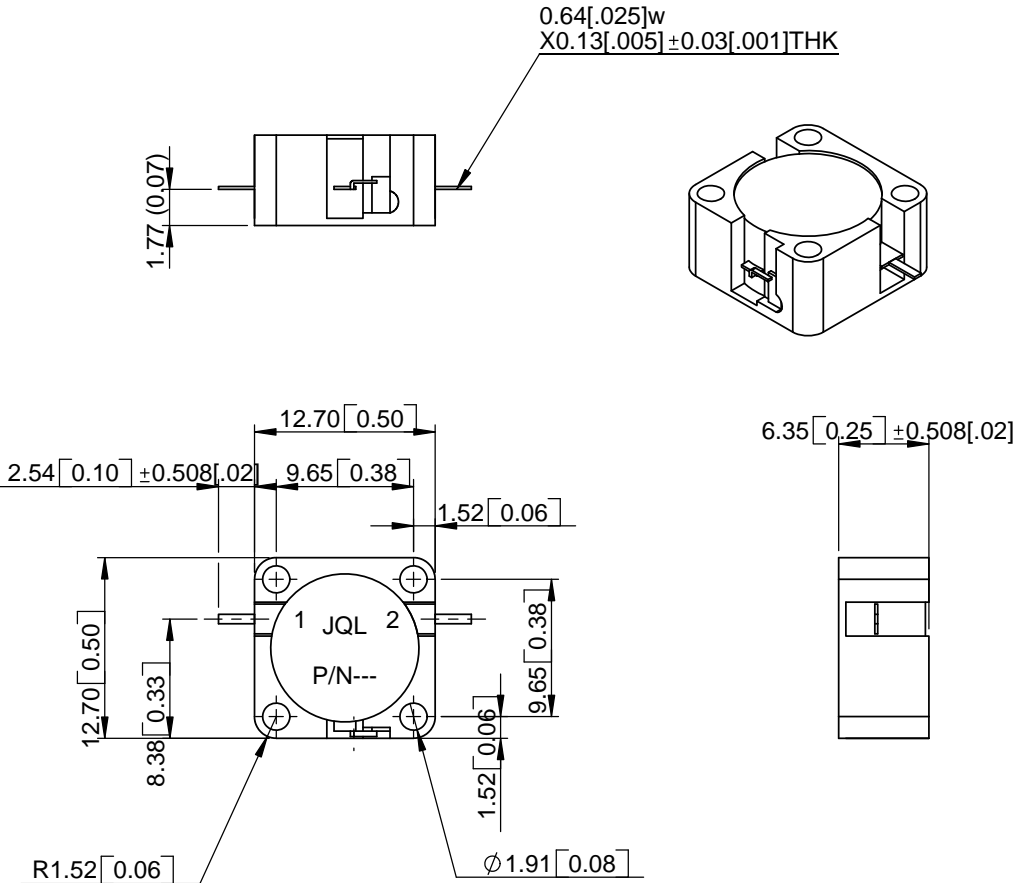


Stock Number

REV.	DESCRIPTION	REVISOR	DATE	APPROVE
0		XG	01.01.10	CH

SPECIFICATION

Part's Number: JID5700T6500VM5
 Frequency: 5.700~6.500GHz
 Insertion Loss: 0.5dB MAX
 Isolation: 20.0dB MIN
 RL: 18.0 dB MIN
 PWR FWD PK/AVG: 30W/15W
 REV PK/AVG: 30W/5W
 Circulation: Clockwise
 Temperature: -35°C~ 85°C



This document is the property of JQL Electronic Inc.
 It cannot be copied, duplicated, used for manufacturing purposes
 or communicated to third party as a whole or partly,
 without the written consent of JQL Electronic Inc.

JQL JQL Electronic Inc

500 Lake Cook Road, Suite 350 Tel : 1(888)236-9828
 Deerfield, IL 60015, USA Fax: 1(630)823-2902

MATERIAL:	DWG NO.		
	JID5700T6500VM5		
SURFACE TREATMENT:	NAME	DATE	SCALE:
NICKEL PER	LS	08.25.11	1:1
	MH	08.25.11	
	CH	08.25.11	
DESCRIPTION:	APPVD BY:	Type Of Projection	A4
DROP-IN ISOLATOR	Unit: mm	2 PLACE DECIMALS: ± 0.254 3 Dimension between hole: ± 0.127 Angular: ± 0.5°	

WEIGHT:

SHEET 1 OF 1