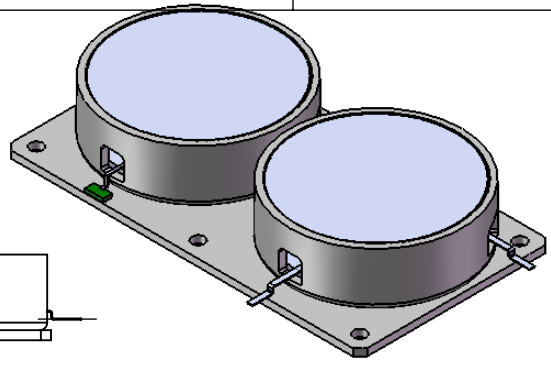


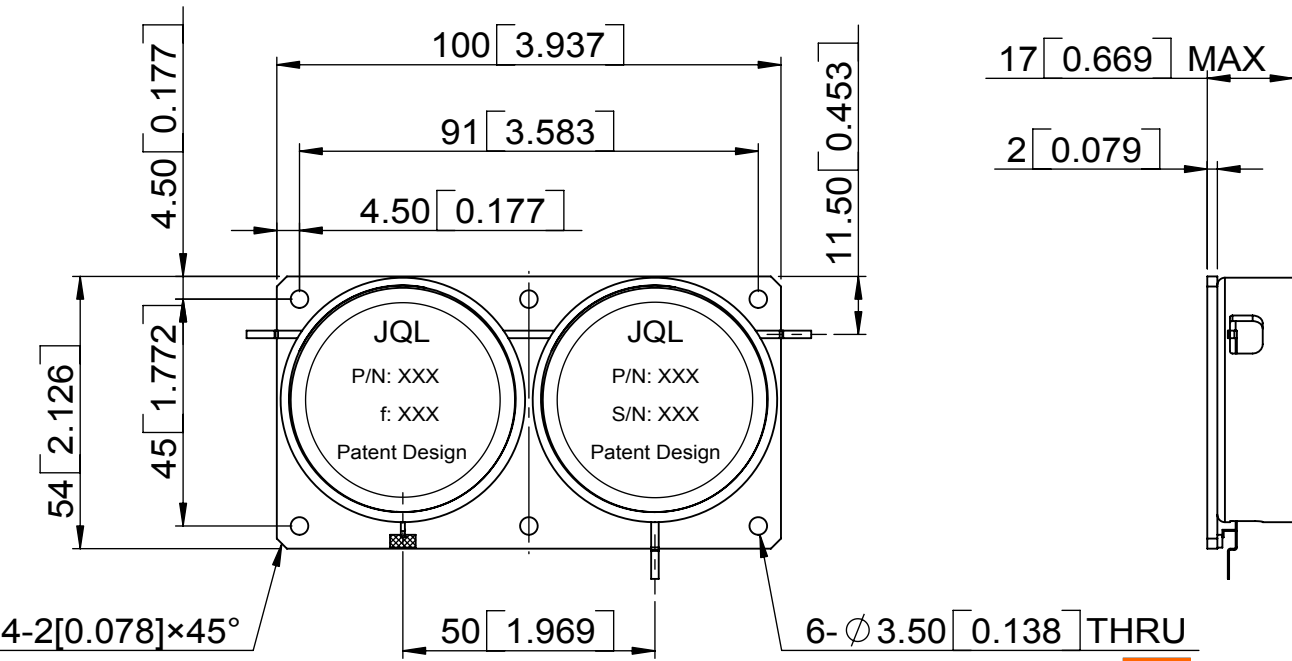
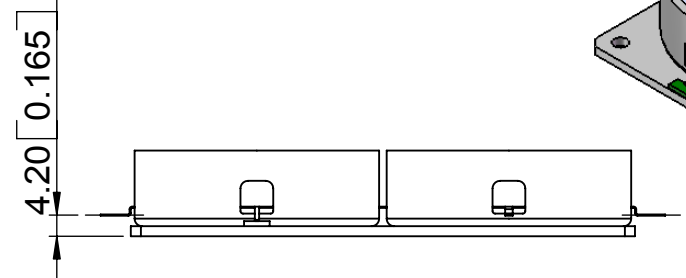
1	2
Document No.	QR4-700-T-003
REV.	A/0

5	6			
REV.	DESCRIPTION	REVISOR	DATE	APPROVE
0		ZLJ	08.31.12	CH



SPECIFICATION

Part's Number: PACKAGE 3.93"X2.13"
 Frequency: 0.200~0.512GHz
 Bandwidth Up To 30%
 Direction : CW
 Insertion Loss: 0.45dB
 Isolation: 50dB MIN
 Return Loss: 20dB MIN.
 Power FWD/REV : 250W /80W
 Termination: 100W
 Temperature: -20°C~80°C
 Body: Steel,Nickel Plated
 Tabs: Brass Silver Plated



This document is the property of JQL Electronic Inc. It cannot be copied, duplicated, used for manufacturing purposes or communicated to third party as a whole or partly, without the written consent of JQL Electronic Inc.

JQL JQL Electronic Inc

500 Lake Cook Road, Suite 350
 Deerfield, IL 60015, USA
 Tel : 1(888)236-9828
 Fax: 1(630)823-2902

PACKAGE CODE:	DWG NO.
SURFACE TREATMENT:	PACKAGE 3.93"X2.13"
DESCRIPTION:	Drop-In circulator

DWG BY:	NAME	DATE	SCALE:
CHK'D BY:	ZLJ	08.31.12	
APPV'D BY:			
Unit: mm[Inch]	TOLERANCE: Liner: ±0.1mm Angular: ±0.5°	Type Of Projection	

WEIGHT:

SHEET 1 OF 1