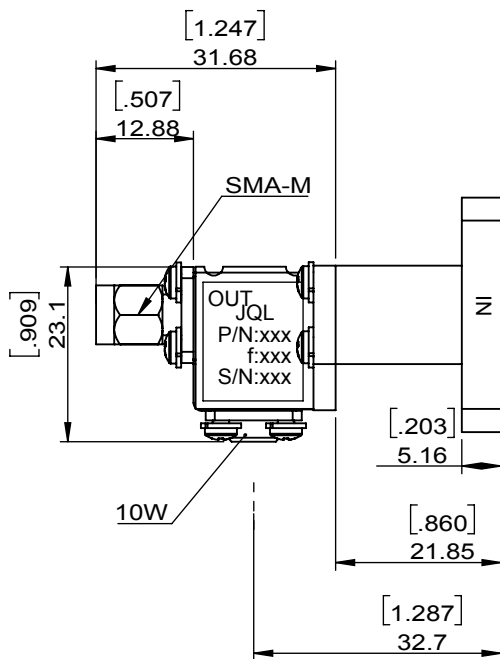
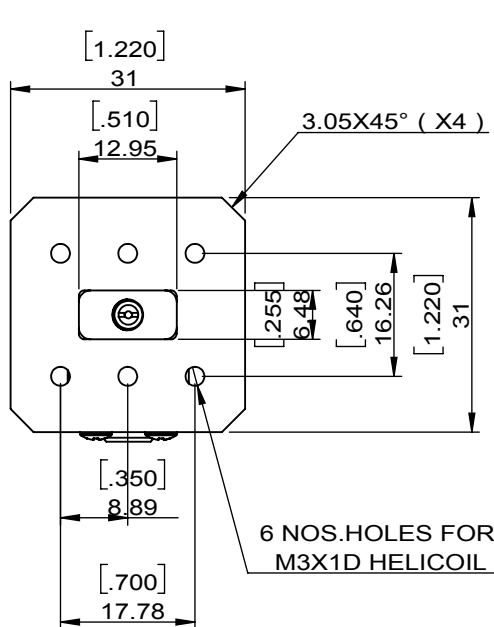
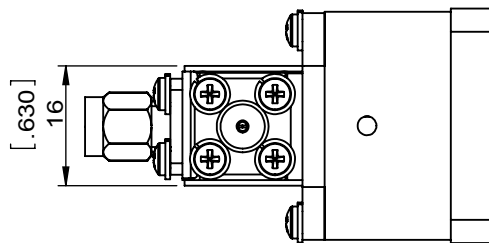


| | | | | | | | | | | | | | |
|--------------|---------------|------|-----|------|---|-------------|--|---------|----------|------|-------------|----------|--------|
| 1 | | 2 | | 3 | | 4 | | 5 | | 6 | | | |
| Document No. | QR4-700-T-003 | REV. | A/0 | REV. | 0 | DESCRIPTION | | REVISOR | Hu.Jiang | DATE | 07.17.20187 | APPROVED | HC.Qiu |



| SPECIFICATIONS | |
|---|--|
| Part's Number | JISO51-17K3T17K8 |
| Frequency(GHz) | 17.300~17.800 |
| Direction | - |
| Insertion Loss(dB)MAX | 0.35 |
| Isolation(dB)MIN | 20.0 |
| Return Loss(dB)MIN | 20.0 |
| Ripple(dB)MAX | 0.01 |
| Power FWD/REV/PK(Watt) | 100/100/- |
| Operating Temperature(°C) | -20~+70 |
| Storage Temperature(°C) | - |
| Loss slope (over any 40 MHz)(dB)MAX | 0.15 |
| Termination/Attenuator(Watt/dB) | 10W |
| Insertion loss Discontinuity(Glitch) over operating temperature range | < 0.1dB Peak to Peak |
| Additional Notes | Space qualified hardware external Black thermal paint. |

| | | | | |
|--|--|---------------------------------------|------------|------------|
| JQL JQL Electronic Inc | | | | |
| MATERIAL: VARIOUS | | DWG NO: JISO51-17K3T17K8 | | |
| SURFACE TREATMENT: Black thermal paint | | DWG BY: | Hu.Jiang | 07.17.2018 |
| DESCRIPTION: Waveguide Coaxial Adaptor | | CHK'D BY: | | SCALE |
| | | APPV'D BY: | | 1:1 |
| Unit: mm[inch] | | Tolerance: Liner: ±0.25 Anguar: ±0.5° | The First: | |
| | | | | A4 |



This document is the property of JQL Electronic Inc. It cannot be copied, duplicated, used for manufacturing purposes or communicated to third party as a whole or partly, without the written consent of JQL Electronic Inc.