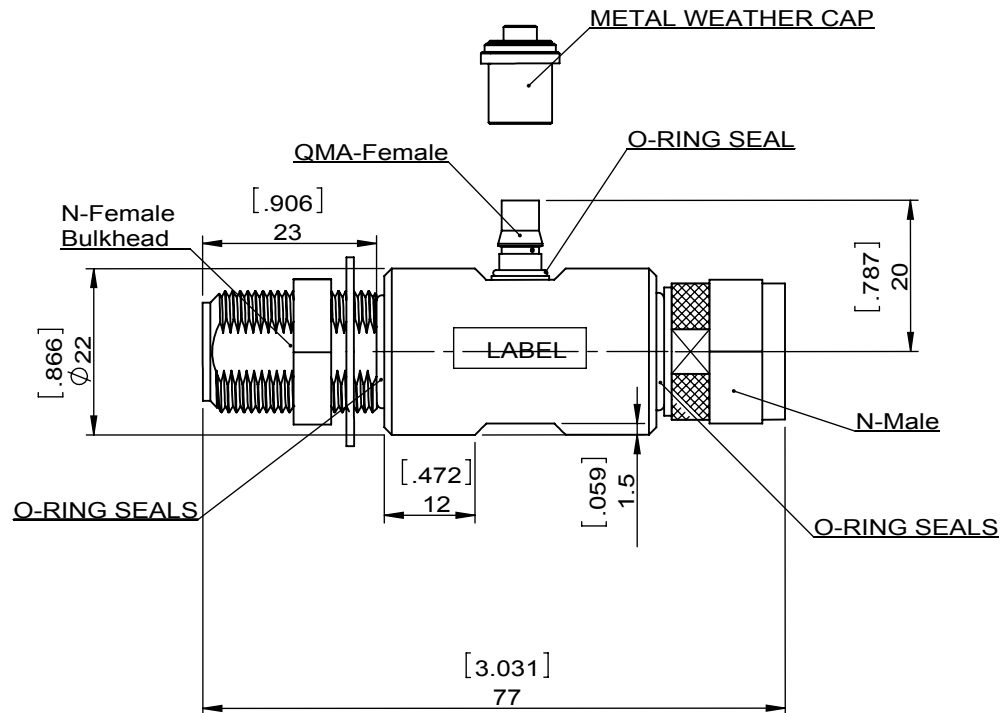


1		2		3		4		5		6			
Document No.	QR4-700-T-003	REV.	A/0	REV.	0	DESCRIPTION		REVISOR	LJ.Zhang	DATE	02.04.2015	APPROVED	David



SPECIFICATIONS	
Frequency(MHz)	698~2700
Coupling(dB)±2.0	-48@740 MHz -46.5@860 MHz -46.5@880 MHz -40@1700 MHz -39@1960 MHz -38@2130 MHz
Insertion Loss(dB)	0.20 Max
Return Loss(dB)	23 Min
Impedance(Ω)	50
Maximum Pover(W),CW	250
IM3(dBc)	150 Min 2×20W
Temperature Rang(°C)	-45~+85
Connector(Quantity)Type	N-Female Bulkhead, N-Male
Coupling Connector(Quantity)Type	QMA Female
Coupling Cap(Quantity)Type	QMA Male with weather seal
Application	Suitable for outdoor with proper connections
Additional Notes	-

JQL JQL Electronic Inc				
MATERIAL:		DWG NO:		
		DC0690T2700-40dB-NF		
SURFACE TREATMENT:		DWG BY:	LJ.Zhang	02.04.2015
CHEM FILM		CHK'D BY:		SCALE
DESCRIPTION:		APPV'D BY:		3:1
COUPLER		Unit:	Tolerance:	
		mm[inch]	Liner: ±0.25	The First:
			Anguar: ±0.5°	

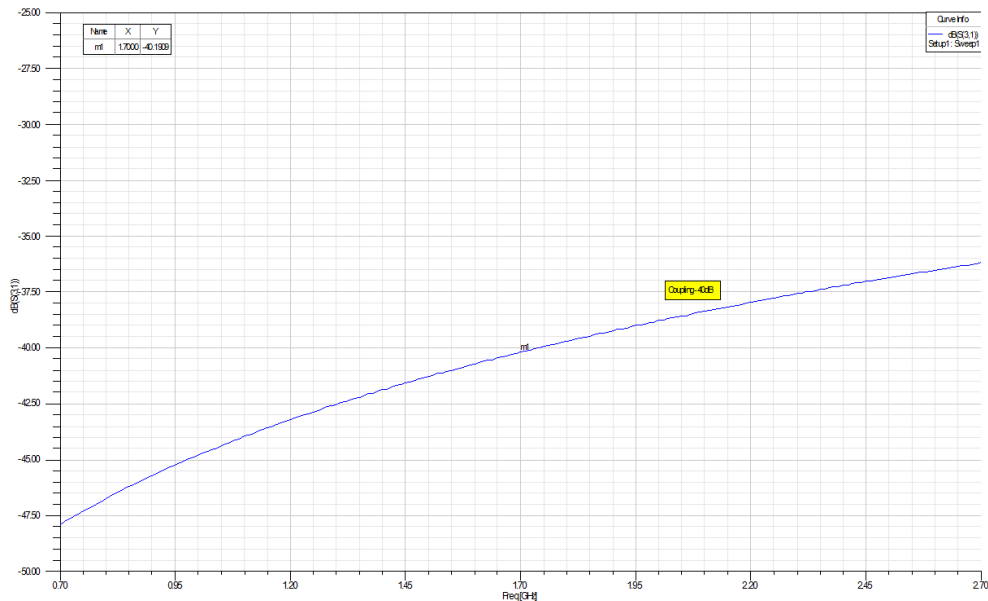


This document is the property of JQL Electronic Inc. It cannot be copied, duplicated, used for manufacturing purposes or communicated to third party as a whole or partly, without the written consent of JQL Electronic Inc.

1		2		3		4		5		6	
Document No.		QR4-700-T-003		REV.		DESCRIPTION		REVISOR		DATE	
REV.		A/0		0				LJ.Zhang		02.04.2015	
										APPROVED	
										David	

A

A

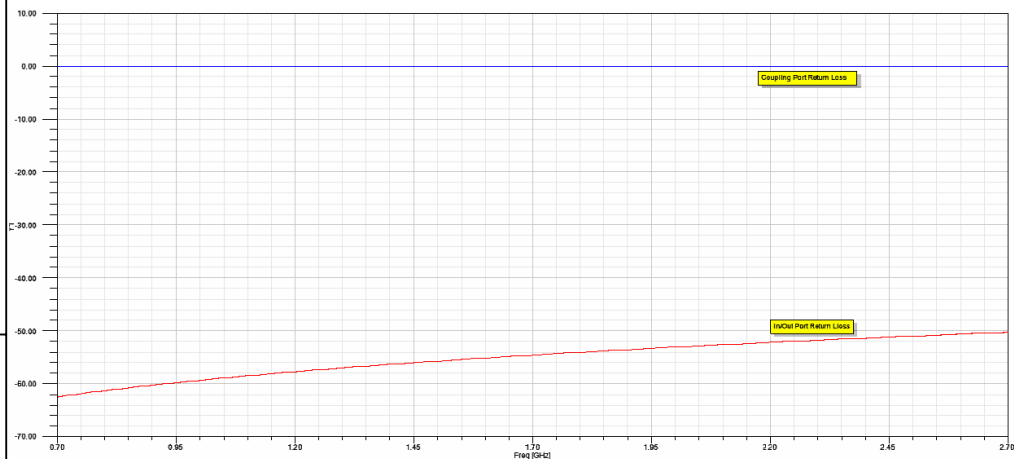


B

B

C

C



D

D

SPECIFICATIONS		Mark proposal specification
Frequency(MHz)	698~2700	OK
Coupling(dB)±2.0	-48@740 MHz -46.5@860 MHz -46.5@880 MHz -40@1700 MHz -39@1960 MHz -38@2130 MHz	OK
Insertion Loss(dB)	0.20 Max	OK
Return Loss(dB)	23 Min	OK
Impedance(Ω)	50	OK
Maximum Pover(W),CW	250	OK
IM3(dBc)	150 Min 2×20W	OK
Temperature Rang(°C)	-45~+85	OK
Connector(Quantity)Type	N-Female Bulkhead, N-Male	OK
Coupling Connector(Quantity)Type	QMA Female	OK
Coupling Cap(Quantity)Type	QMA Male with weather seal	OK
Application	Suitable for outdoor with proper connections	OK
Additional Notes	-	OK

JQL Electronic Inc

MATERIAL:
DWG NO:

DC0690T2700-40dB-NFNM-JMA

SURFACE TREATMENT:

CHEM FILM

DWG BY:

LJ.Zhang

02.04.2015

SCALE

CHK'D BY:

APPV'D BY:

3:1

DESCRIPTION:

COUPLER

Unit:

mm[inch]

Tolerance:

Liner: ±0.25

Anguar: ±0.5°

The First:



A4



This document is the property of JQL Electronic Inc. It cannot be copied, duplicated, used for manufacturing purposes or communicated to third party as a whole or partly, without the written consent of JQL Electronic Inc.

1

2

3

WEIGHT:

5

SHEET 2 OF 2