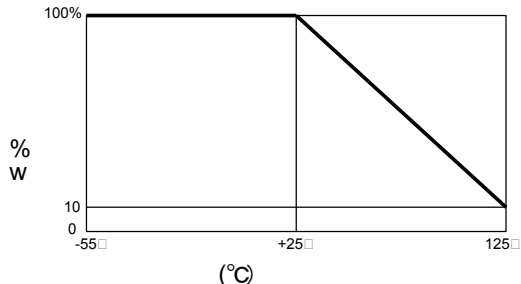
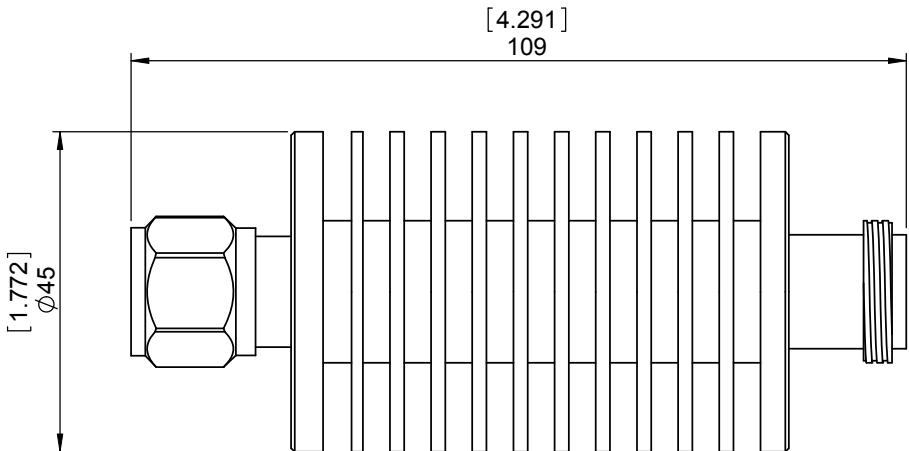
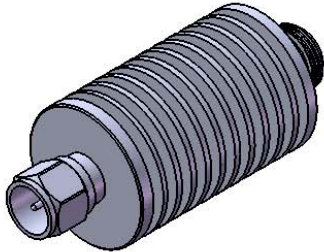


1	2
Document No. QR4-700-T-003	
REV.	A/0

3	4	5	6	
REV.	DESCRIPTION	REVISOR	DATE	APPROVED
0		JP.Yang	06.18.2013	David



This document is the property of JQL Electronic Inc. It cannot be copied, duplicated, used for manufacturing purposes or communicated to third party as a whole or partly, without the written consent of JQL Electronic Inc.

SPECIFICATIONS	
Part's Number	J-ATN-30-N-25-0T3K0
Frequency(GHz)	0~3
Direction	
Insertion Loss(dB)MAX	
Isolation(dB)MIN	
Return Loss(dB)MIN	21.0
3rd IMD(dBc)MAX	-
Power FWD/REV/PK(Watt)	25.0
Operating Temperature(°C)	-55□~+125□
Storage Temperature(°C)	-
2nd/3rd Harmonic(dBc)	-
Termination/Attenuator(Watt/dB)	-/30.0±1.0
Tab(W×LG×THK)(mm[Inch])	-
Additional Notes	Nominal impedance:50Ω Weight:245g Connector:NJ-NK Dimension:Φ45x109

JQL JQL Electronic Inc 500 Lake Cook Road, Suite 350 Deerfield, IL 60015, USA Tel: 1(888)236-9828 Fax: 1(888)823-2902

MATERIAL:	DWG NO:			
SURFACE TREATMENT:	DWG BY:	JP.Yang	06.18.2013	SACLE
DESCRIPTION:	CHK'D BY:			
COAXIAL ATTENUATOR	APPV'D BY:			1:1
	Unit: mm[inch]	Tolerance: Liner: ±0.25 Angular: ±0.5°	The First:	A4