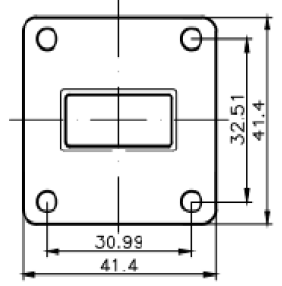
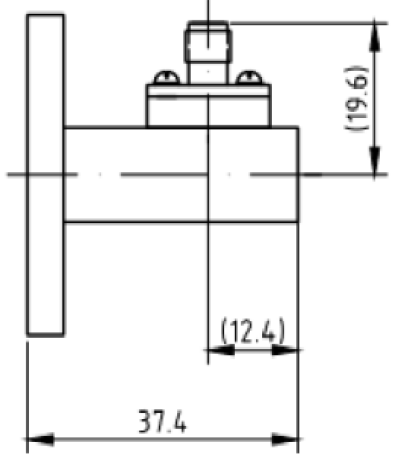


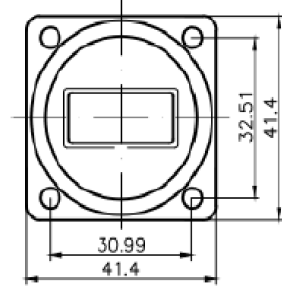
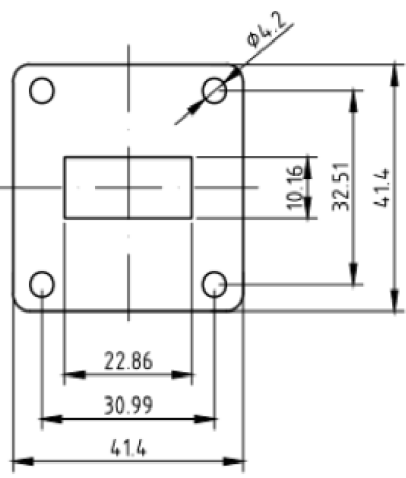
1		2		3		4		5		6	
Document No.	QR4-700-T-003			REV.	DESCRIPTION	REVISOR	DATE	APPROVED			
REV.	A/0			0		X.S	05.28.2021	HC.Qiu			

A



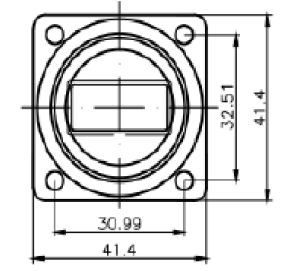
FBP100 (UBR100)

B



FBM100 (PBR100)

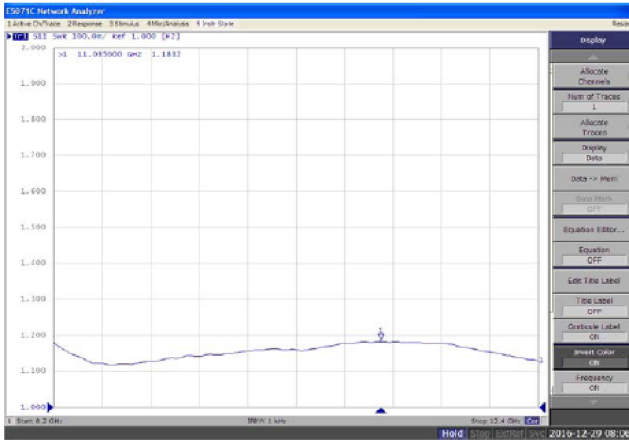
C



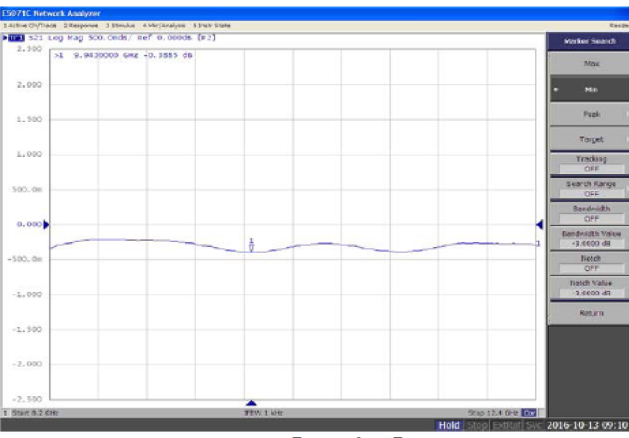
FBE100 (CBR100)

Unit: mm

D



VSWR



Insertion Loss

ITEMS	SPECIFICATIONS
Modle NO.	JACWR90NF/SF
Frequency(GHz)	8.20~12.40
Insertion Loss(dB)	0.30 Max.
VSWR	1.20 Max.
Flange	FBP100
Connector	N/SMA
Operation Temperature(°C)	-20~+60
Waveguide Size	37.4x41.4x19.6 mm 1.47x1.63x0.77 inch
Weight(g)	106
Notes	-

JQL JQL Technologies Corporation

MATERIAL: Brass	DWG NO: JACWR90NF/JACWR90SF			
SURFACE TREATMENT: Nickel plated,inner	DWG BY:	X.S	05.28.2021	SACLE
DESCRIPTION: WAVEGUIDE COAX ADAPTOR	CHK'D BY:			
	APPV'D BY:			4:1
	Unit: mm[inch]	Tolerance: Liner: ±0.25 Anguar: ±0.5°	The First:	A4



This document is the property of JQL Technologies Corporation. It cannot be copied, duplicated, used for manufacturing purposes or communicated to third party as a whole or partly, without the written consent of JQL Technologies Corporation.