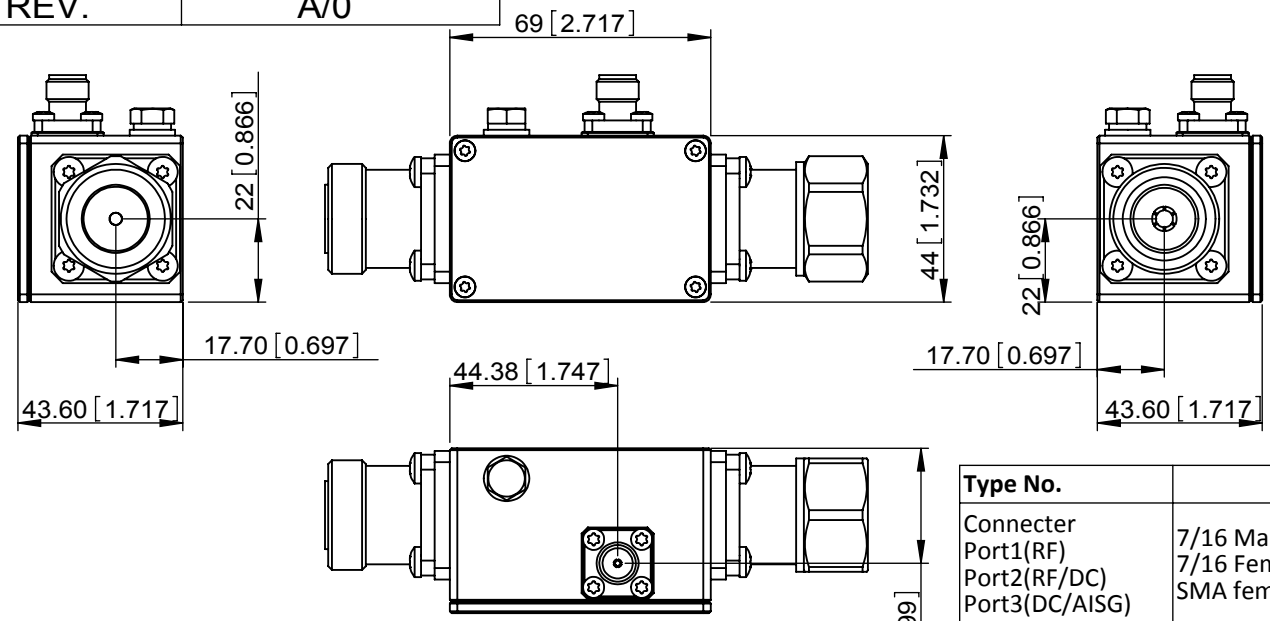


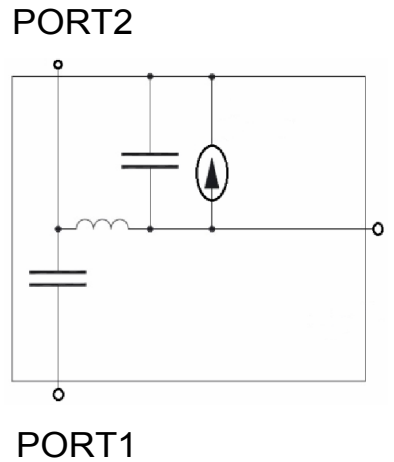
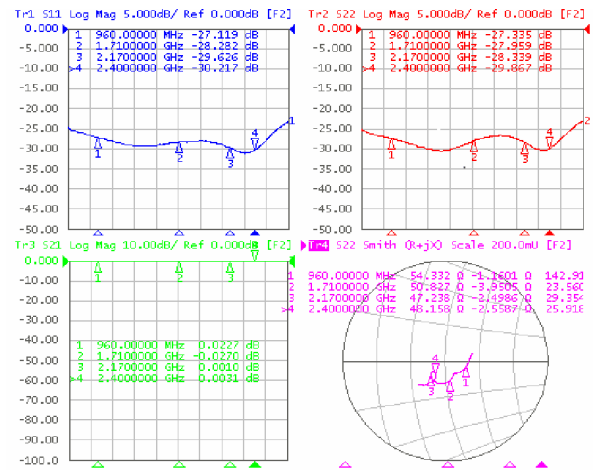
Document No. QR4-700-T-003
REV. A/0

REV.	DESCRIPTION	REVISOR	DATE	APPROVE
0		MH	11.19.12	CH
1	Change the DIM.	MH	12.17.12	CH
2	Change the drawing and add the table	MH	12.31.12	CH
3	Add the inch DIM.	MH	01.03.13	CH



Technical Data

Type No.	JBT 5905-1	JBT 5905-2	JBT 5906-1	JBT 5906-2
Connector				
Port1(RF)	7/16 Male	7/16 Male	7/16 Female	7/16 Female
Port2(RF/DC)	7/16 Female	7/16 Female	7/16 Male	7/16 Male
Port3(DC/AISG)	SMA female	TNC-Female	SMA female	TNC-Female
Frequency range	690~2700MHz			
Insertion loss	<0.2dB			
Return Loss	>20 dB(all ports)			
Input power				
BTS	<200W (690---2700MHZ)			
DC	< 1000 mA / 0 ... +15/+30 VDC			
PIM	< -160 dBc (3rd order; with 2 x 43dBm)			
Lightning	10 kA, 8/20µs pulse			
Temperature	- 20 to + 60 °C			
Humidity	10%~100%(@25°C)			
Applications	Indoor/Outdoor, IP67 rating			



RoHS COMPLIANCE

JQL Electronic Inc

500 Lake Cook Road, Suite 350
Deerfield, IL 60015, USA
Tel : 1(888)236-9828
Fax: 1(630)823-2902

MATERIAL:	DWG NO. JBT 5905-1 JBT 5905-2 JBT 5906-1 JBT 5906-2		
SURFACE TREATMENT:			
DESCRIPTION: Bias Tee	NAME MH	DATE 11.19.12	SCALE:
Unit: mm[inch]	TOLERANCE: Liner: ±0.1mm Angular: ±0.5°	Type Of Projection	A4

WEIGHT: