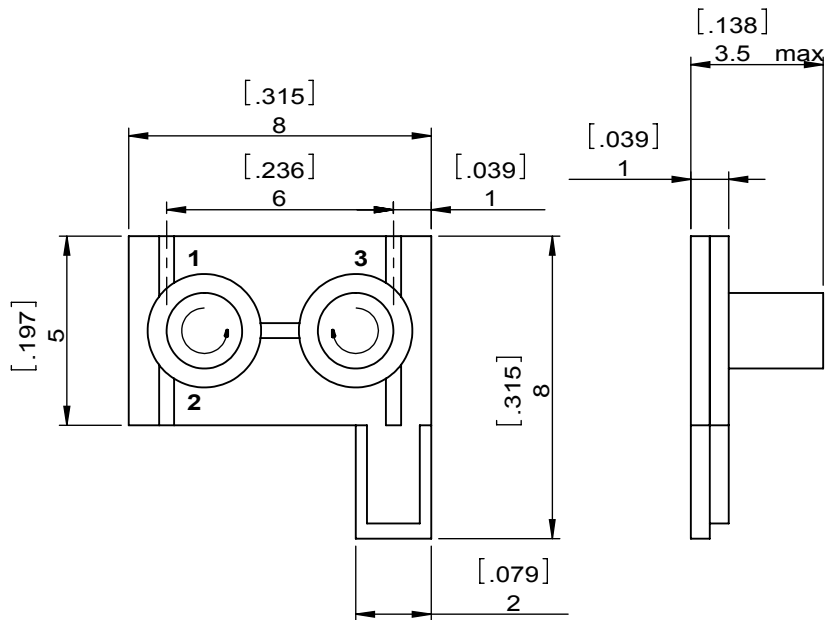


1		2		3		4		5		6	
Document No.	QR4-700-T-003	REV.	A/0	REV.	DESCRIPTION	REVISOR	DATE	APPROVED			
		0				YQ.XIE	09.22.2015	David			



SPECIFICATIONS	
Part's Number	JC2S15K7T17K7G2
Frequency(GHz)	15.70~17.70
Direction	
Insertion Loss(dB)MAX	0.6(1->2); 1.1(2->3)
Isolation(dB)MIN	18(2->1); 30(3->2)
Return Loss(dB)MIN	17.7
3rd IMD(dBc)MAX	
Power FWD/REV/PK(Watt)	20/20/-
Operating Temperature(°C)	-40~+85
Storage Temperature(°C)	
2nd/3rd Harmonic(dBc)	
Termination/Attenuator(Watt/dB)	20
Tab(W×LG×THK)(mm[Inch])	
Additional Notes	GWB

JQL JQL Electronic Inc				
MATERIAL: -		DWG NO: JC2S15K7T17K7G2		
SURFACE TREATMENT: -		DWG BY:	YQ.XIE	09.22.2015
DESCRIPTION: MICROSTRIP ISOLATEOR		CHK'D BY:		SCALE
		APPV'D BY:		5:1
Unit:		Tolerance:	The First:	
mm[inch]		Liner: ±0.25		
		Anguar: ±0.5°	A4	



This document is the property of JQL Electronic Inc. It cannot be copied, duplicated, used for manufacturing purposes or communicated to third party as a whole or partly, without the written consent of JQL Electronic Inc.