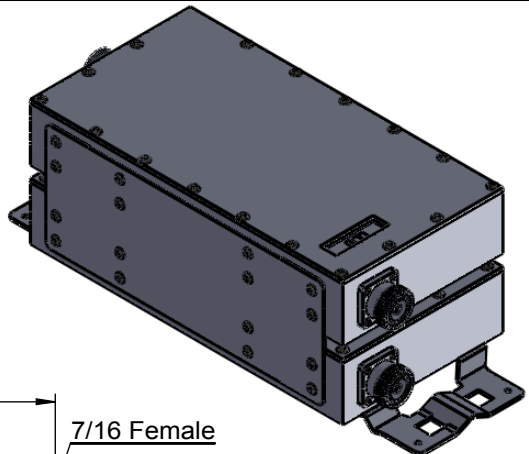
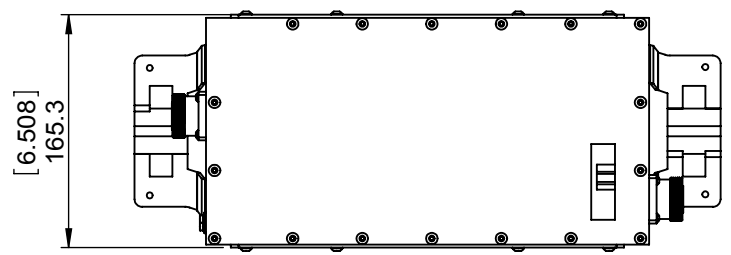
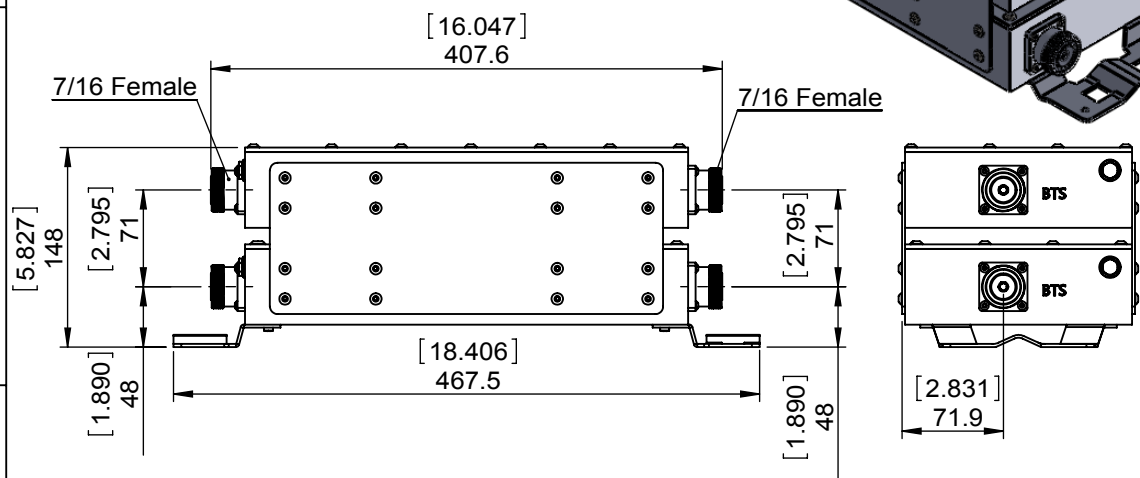


1		2		3		4		5		6	
Document No.	QR4-700-T-003					REV.	DESCRIPTION	REVISOR	DATE	APPROVED	
REV.	A/0					0		LJ.Zhang	11.28.2013	David	



SPECIFICATIONS	
Part's Number	JCDF-1-R-0898T0960-TXR
Frequency(GHz)	0.8985~0.960
Direction	-
Insertion Loss(dB)MAX	1.10@898.5MHz 0.50@900.5~960MHz
Isolation(dB)MIN	50.0@DC~894 MHz 30.0@965~1500 MHz
Return Loss(dB)MIN	18.0
Power FWD/REV/PK(Watt)	200/200/-
Operating Temperature(°C)	-10~+60
Storage Temperature(°C)	-40~+85
Additional Notes	Intermodulation:-150 dBc Max(3rd order, with 2*43dBm) DC:Pass<2 A/0~+30 VDC Impedance:50Ω Operation Humidity: up to 95% Application:Outdoor IP67 Rating Lightening protection:10kA,8/20μs Weight:14.5Kg



This document is the property of JQL Electronic Inc. It cannot be copied, duplicated, used for manufacturing purposes or communicated to third party as a whole or partly, without the written consent of JQL Electronic Inc.

JQL JQL Electronic Inc 500 Lake Cook Road, Suite 350 Deerfield, IL 60015, USA Tel: 1(888)236-9828 Fax: 1(888)823-2902

MATERIAL: -	DWG NO: JCDF-1-R-0898T0960-TXR			
SURFACE TREATMENT: -	DWG BY:	LJ.Zhang	11.28.2013	SACLE
DESCRIPTION: FILTER	CHK'D BY:			
	APPV'D BY:			1:5
	Unit: mm[inch]	Tolerance: Liner: ±0.25 Anguar: ±0.5°	The First:	A4