

# L Band Surface Mount Circulator

## JCM1425T1525S10R

### Description:

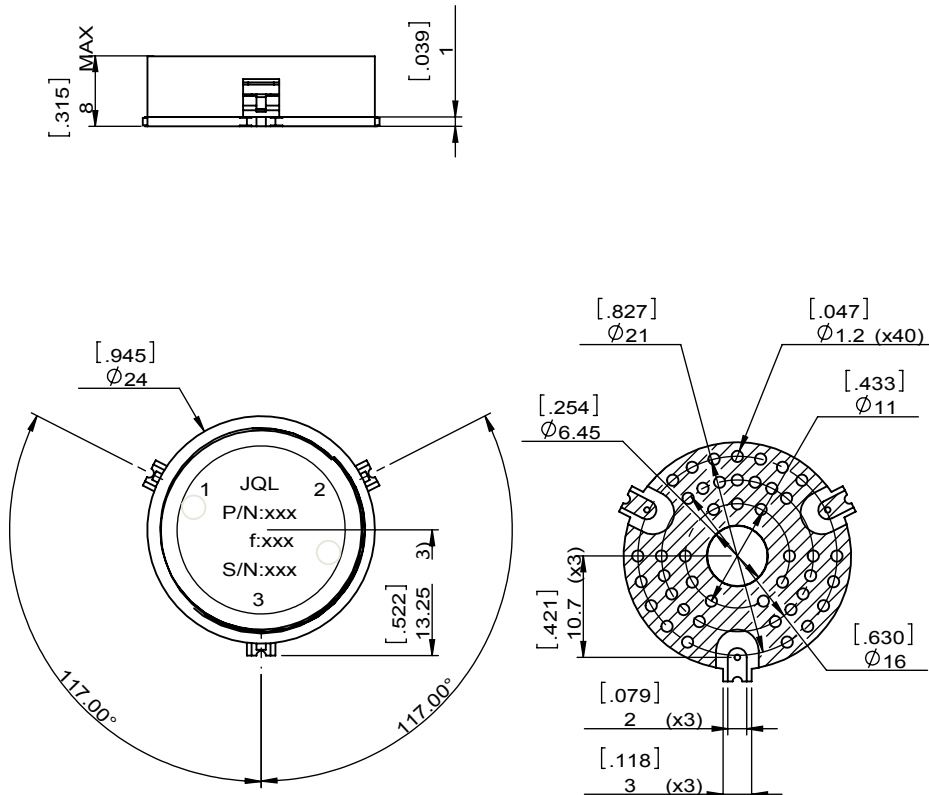


JCM1425T1525S10R is a surface mount circulator in the frequency 1.425~1.525 GHz. The device is extremely stable over the temperature range of -40°C to +85°C, with maximum insertion loss of 0.35dB and minimum return loss of 20.0dB. It can handle a CW Power FWD/REV/PK(Watt) of 100/100/500

### Electrical Specification

Part Number	JCM1425T1525S10R
Frequency (GHz)	1.425~1.525
Insertion Loss(dB)MAX	0.35
Isolation(dB)MIN	23.0
Return Loss(dB)MIN	20.0
Operating Temperature	-40°C~85°C
Power FWD/REV/PK(Watt)	100/100/500

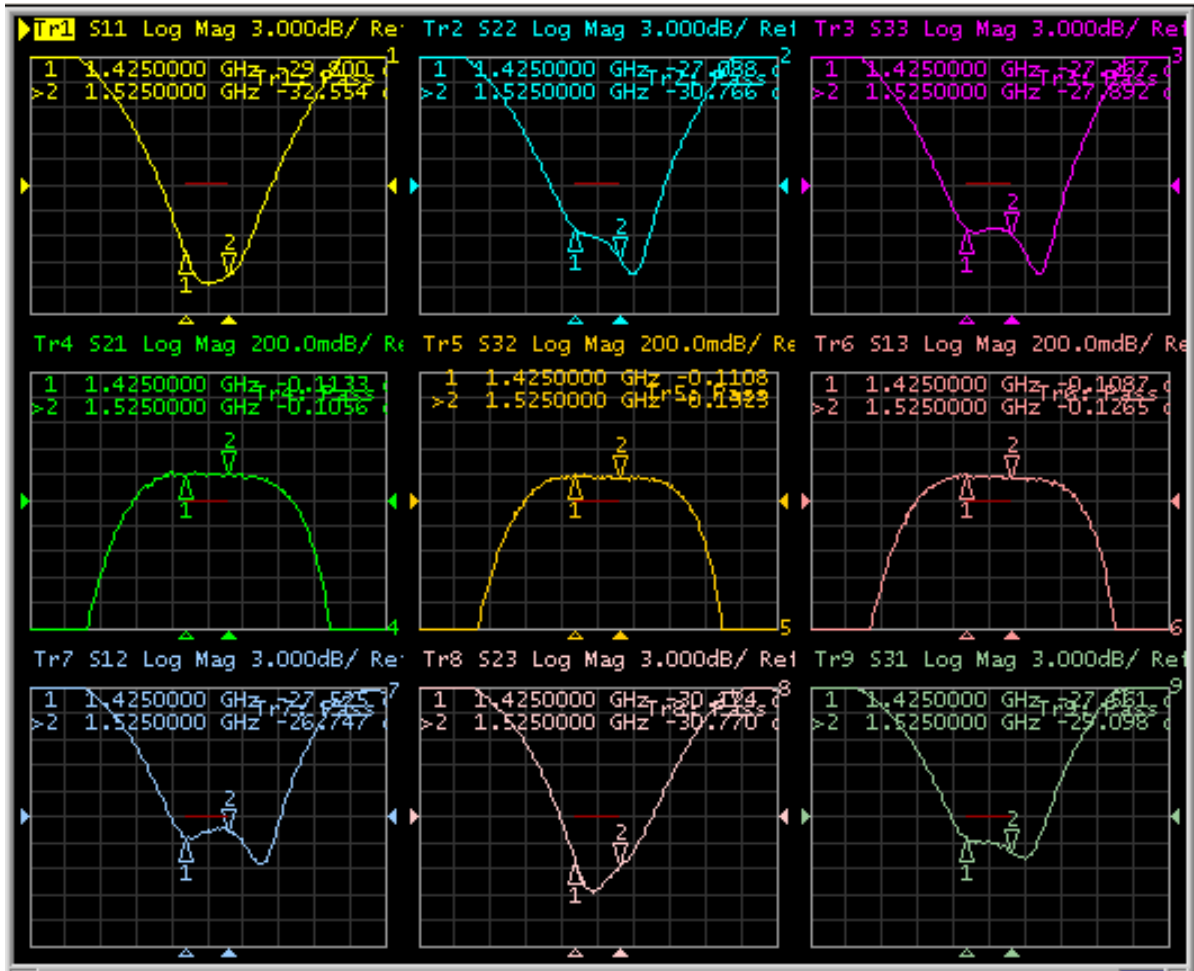
### Outline



# L Band Surface Mount Circulator

## JCM1425T1525S10R

### Test Data



### Applications

- Radar

JQL TECHNOLOGIES  
TECHNOLOGY ON THE MOVE