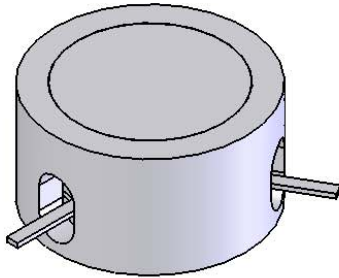
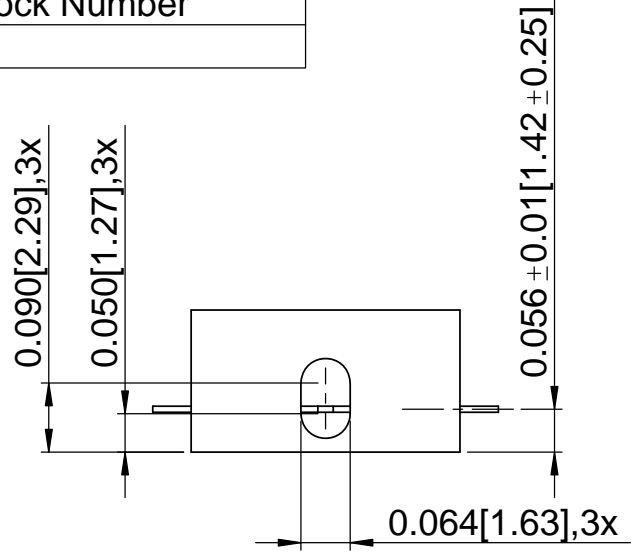


Stock Number

| REV. | DESCRIPTION | REVISOR | DATE | APPROVE |
|------|-------------|---------|----------|---------|
| 0 | | CG | 10.27.10 | CH |



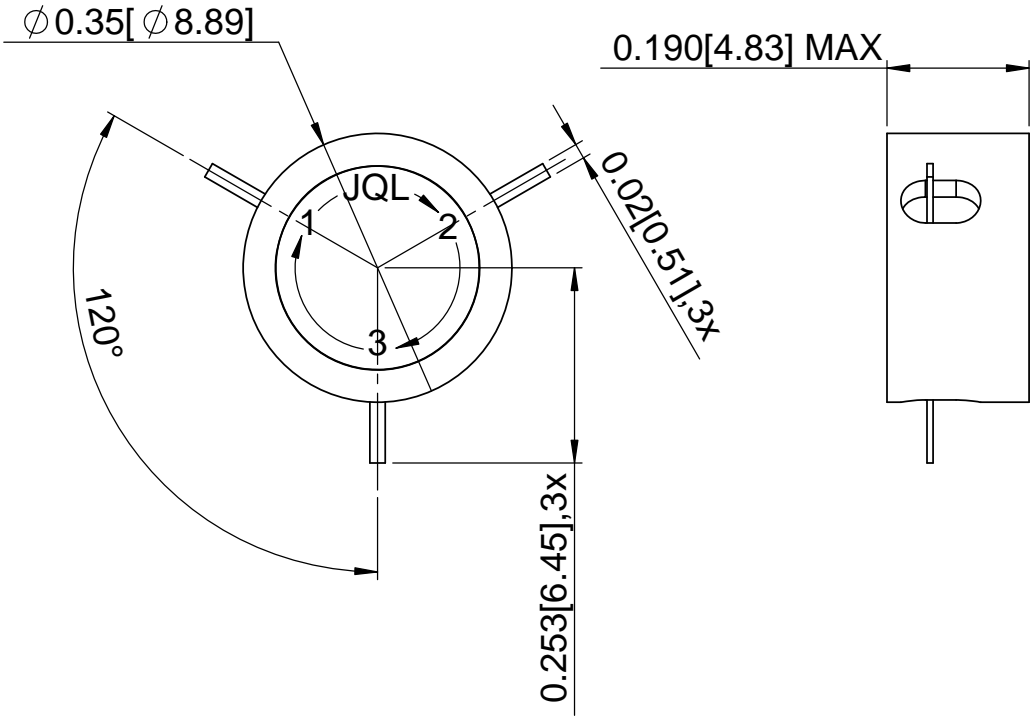
SPECIFICATION

Part's Number: JCM16K80T17K20ZM1
 Frequency: 16.80-17.20GHz
 Direction: CW
 Insertion Loss: 0.35dB
 Isolation: 20dB
 VSWR: 1.3:1
 Power Peak: 100W (10usec)
 Temperature: -40 °C-+85 °C

*** P/N will not be placed at unit, due to the limited area.



This document is the property of JQL Electronic Inc. It cannot be copied, duplicated, used for manufacturing purposes or communicated to third party as a whole or partly, without the written consent of JQL Electronic Inc.



JQL JQL Electronic Inc 500 Lake Cook Road, Suite 350 Deerfield, IL 60015, USA Tel : 1(888)236-9828 Fax: 1(630)823-2902

| MATERIAL: Steel | DWG NO. JCM16K80T17K20ZM1 | | | | | | | | | | | | | | |
|---|---|----------|-------|------|-------|---------|----|----------|----|-----------|----|----------|-------------|----|----------|
| SURFACE TREATMENT: Nickel Plating or Gold Plating | <table border="1"> <thead> <tr> <th></th> <th>NAME</th> <th>DATE</th> <th>SCALE</th> </tr> </thead> <tbody> <tr> <td>DWG BY:</td> <td>CG</td> <td>10.27.10</td> <td rowspan="3">1:</td> </tr> <tr> <td>CHK'D BY:</td> <td>FW</td> <td>10.27.10</td> </tr> <tr> <td>APP'V'D BY:</td> <td>CH</td> <td>10.27.10</td> </tr> </tbody> </table> | | NAME | DATE | SCALE | DWG BY: | CG | 10.27.10 | 1: | CHK'D BY: | FW | 10.27.10 | APP'V'D BY: | CH | 10.27.10 |
| | NAME | DATE | SCALE | | | | | | | | | | | | |
| DWG BY: | CG | 10.27.10 | 1: | | | | | | | | | | | | |
| CHK'D BY: | FW | 10.27.10 | | | | | | | | | | | | | |
| APP'V'D BY: | CH | 10.27.10 | | | | | | | | | | | | | |
| DESCRIPTION: DROP-IN CIRCULATOR | Unit: inch Type Of Projection | | | | | | | | | | | | | | |