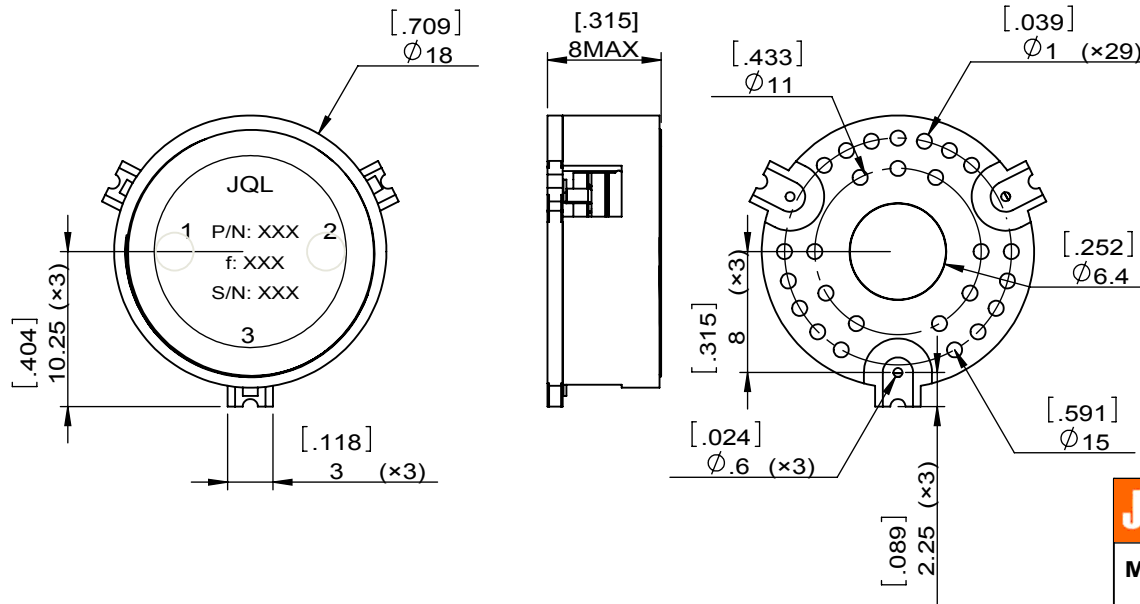
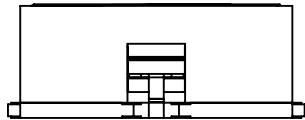
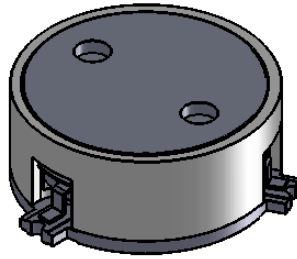


|              |               |      |     |       |             |         |      |          |  |   |  |
|--------------|---------------|------|-----|-------|-------------|---------|------|----------|--|---|--|
| 1            |               | 2    |     | 3     |             | 4       |      | 5        |  | 6 |  |
| Document No. | QR4-700-T-003 | REV. | A/0 | REV.  | DESCRIPTION | REVISOR | DATE | APPROVED |  |   |  |
|              |               | 0    |     | ZC.Wu | 05.04.2015  | David   |      |          |  |   |  |



| SPECIFICATIONS                            |                 |
|---|-----------------|
| Part's Number                             | JCM2500T2700S6R |
| Frequency(GHz)                            | 2.500~2.700     |
| Direction                                 | CW              |
| Insertion Loss(dB)MAX                     | 0.30            |
| Isolation(dB)MIN                          | 21.0            |
| Return Loss(dB)MIN                        | 20.0            |
| 3rd IMD(dBc)MAX                           | -               |
| Power FWD/REV/PK(Watt)                    | 60/60/-         |
| Operating Temperature( $^{\circ}$ C)      | -40~+85         |
| Storage Temperature( $^{\circ}$ C)        | -               |
| 2nd/3rd Harmonic(dBc)                     | -               |
| Termination/Attenuator(Watt/dB)           | -               |
| Tab(W $\times$ LG $\times$ THK)(mm[Inch]) | -               |
| Additional Notes                          | -               |

|   |  |                                   |  |                |
|---|--|-----------------------------------|--|----------------|
| <b>JQL</b> JQL Electronic Inc               |  |                                   |  |                |
| <b>MATERIAL:</b><br>STEEL                   |  | <b>DWG NO:</b><br>JCM2500T2700S6R |  |                |
| <b>SURFACE TREATMENT:</b><br>NICKEL PLATING |  | DWG BY:                           | ZC.Wu  | 05.04.2015     |
| <b>DESCRIPTION:</b><br>SMT CIRCULATOR       |  | CHK'D BY:                         |  | SCALE          |
|   |  | APPV'D BY:                        |  | 1:1            |
|   |  | Unit:<br>mm[inch]                 | Tolerance:<br>Liner: $\pm 0.25$<br>Anguar: $\pm 0.5^{\circ}$ | The First:<br> |
|   |  |                                   |  | A4             |



This document is the property of JQL Electronic Inc. It cannot be copied, duplicated, used for manufacturing purposes or communicated to third party as a whole or partly, without the written consent of JQL Electronic Inc.