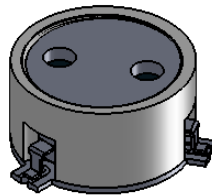
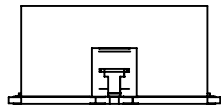
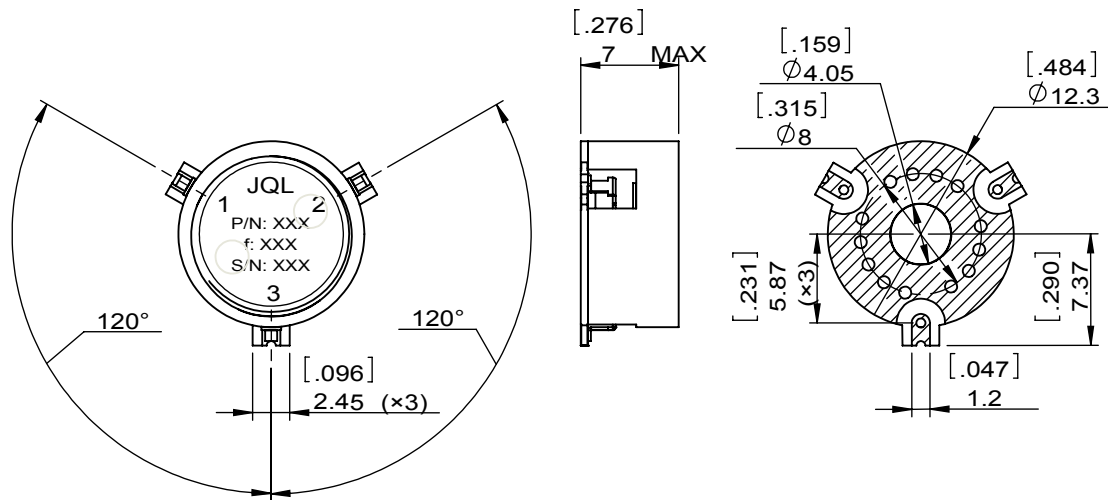


|              |               |      |     |       |             |            |       |          |  |   |  |
|--------------|---------------|------|-----|-------|-------------|------------|-------|----------|--|---|--|
| 1            |               | 2    |     | 3     |             | 4          |       | 5        |  | 6 |  |
| Document No. | QR4-700-T-003 | REV. | A/0 | REV.  | DESCRIPTION | REVISOR    | DATE  | APPROVED |  |   |  |
|              |               | 0    |     | ZC.Wu |             | 10.10.2014 | David |          |  |   |  |



| SPECIFICATIONS                  |                  |
|---------------------------------|------------------|
| Part's Number                   | JCM2700T2900VM2R |
| Frequency(GHz)                  | 2.700~2.900      |
| Direction                       | CW               |
| Insertion Loss(dB)MAX           | 0.40             |
| Isolation(dB)MIN                | 20.0             |
| Return Loss(dB)MIN              | 20.0             |
| 3rd IMD(dBc)MAX                 | -                |
| Power FWD/REV/PK(Watt)          | 25/25/           |
| Operating Temperature(°C)       | -40~+85          |
| Storage Temperature(°C)         |                  |
| 2nd/3rd Harmonic(dBc)           | -                |
| Termination/Attenuator(Watt/dB) | -                |
| Tab(W×LG×THK)(mm[Inch])         | -                |
| Additional Notes                | -                |



|   |  |                                    |   |                |
|---|--|------------------------------------|---|----------------|
| <b>JQL</b> JQL Electronic Inc               |  |                                    |   |                |
| <b>MATERIAL:</b><br>STEEL                   |  | <b>DWG NO:</b><br>JCM2700T2900VM2R |   |                |
| <b>SURFACE TREATMENT:</b><br>SILVER PLATING |  | DWG BY:                            | ZC.Wu                                       | 10.10.2014     |
| <b>DESCRIPTION:</b><br>SMT CIRCULATOR       |  | CHK'D BY:                          |   | SCALE          |
|   |  | APPV'D BY:                         |   | 2:1            |
|   |  | Unit:<br>mm[inch]                  | Tolerance:<br>Liner: ±0.25<br>Anguar: ±0.5° | The First:<br> |
|   |  |                                    |   | A4             |



This document is the property of JQL Electronic Inc. It cannot be copied, duplicated, used for manufacturing purposes or communicated to third party as a whole or partly, without the written consent of JQL Electronic Inc.