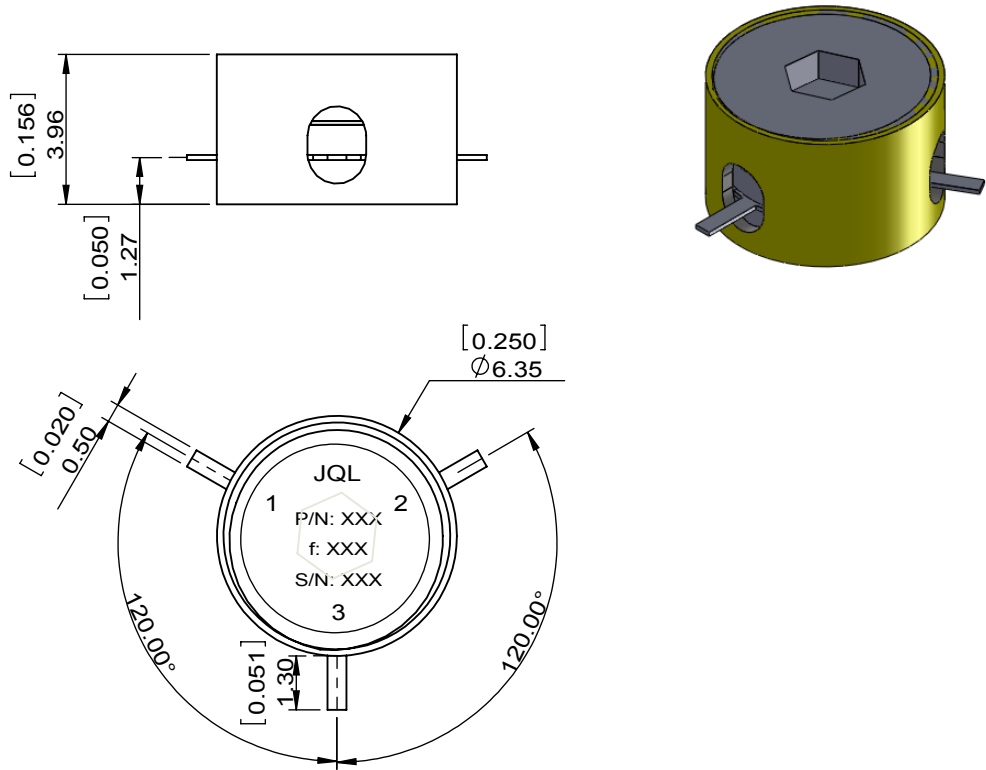


1		2		3		4		5		6			
Document No.	QR4-700-T-003	REV.	A/0	REV.	0	DESCRIPTION		REVISOR	ZC.Wu	DATE	01.08.2015	APPROVED	David



SPECIFICATIONS	
Part's Number	JCM9050T9450G0
Frequency(GHz)	9.050~9.450
Direction	CW
Insertion Loss(dB)MAX	0.4
Isolation(dB)MIN	20.0
Return Loss(dB)MIN	20.0
3rd IMD(dBc)MAX	
Power FWD/REV/PK(Watt)	5/5/-
Operating Temperature(°C)	-40~+85
Storage Temperature(°C)	-
2nd/3rd Harmonic(dBc)	--
Termination/Attenuator(Watt/dB)	-
Tab(W×LG×THK)(mm[Inch])	-
Additional Notes	GOLD PLATED HOUSING;GOLD PLATED CIRCUIT-

JQL JQL Electronic Inc				
MATERIAL: VARIOUS		DWG NO: JCM9050T9450G0		
SURFACE TREATMENT: GOLD PLATING		DWG BY:	ZC.Wu	01.08.2015
DESCRIPTION: SMT CIRCULATOR		CHK'D BY:		SCALE
		APPV'D BY:		5:1
		Unit: mm[inch]	Tolerance: Liner: ±0.25 Anguar: ±0.5°	The First:
				A4



This document is the property of JQL Electronic Inc. It cannot be copied, duplicated, used for manufacturing purposes or communicated to third party as a whole or partly, without the written consent of JQL Electronic Inc.