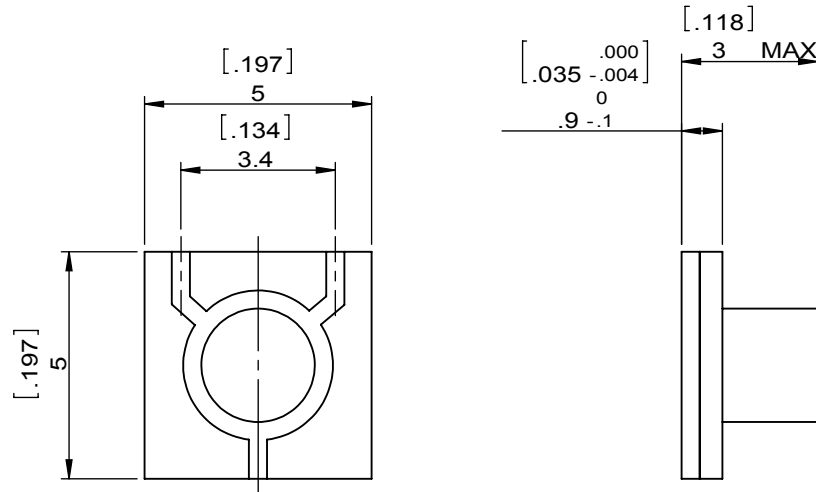
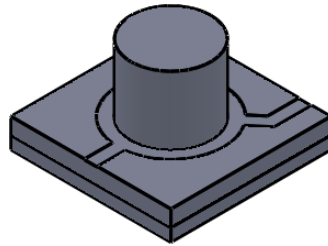


1		2		3		4		5		6	
Document No.	QR4-700-T-003	REV.	A/0	REV.	DESCRIPTION	REVISOR	DATE	APPROVED			
REV.	A/0	0		ZC.Wu	09.22.2015	David					



SPECIFICATIONS	
Part's Number	JCS15K0T17K0G1
Frequency(GHz)	15.000~17.000
Direction	
Insertion Loss(dB)MAX	0.5
Isolation(dB)MIN	19.0
Return Loss(dB)MIN	17.7
3rd IMD(dBc)MAX	
Power FWD/REV/PK(Watt)	10/10/-
Operating Temperature(°C)	-40~+85
Storage Temperature(°C)	
2nd/3rd Harmonic(dBc)	-
Termination/Attenuator(Watt/dB)	
Tab(W×LG×THK)(mm[Inch])	
Additional Notes	-

JQL JQL Electronic Inc				
MATERIAL:		DWG NO: JCS15K0T17K0G1		
SURFACE TREATMENT: NICKEL PLATING		DWG BY:	ZC.Wu	09.22.2015
DESCRIPTION: MICRSTRIP CIRCULATOR		CHK'D BY:		SCALE
		APP'V'D BY:		6:1
		Unit: mm[inch]	Tolerance: Liner: ±0.25 Anguar: ±0.5°	The First:
				A4



This document is the property of JQL Electronic Inc. It cannot be copied, duplicated, used for manufacturing purposes or communicated to third party as a whole or partly, without the written consent of JQL Electronic Inc.