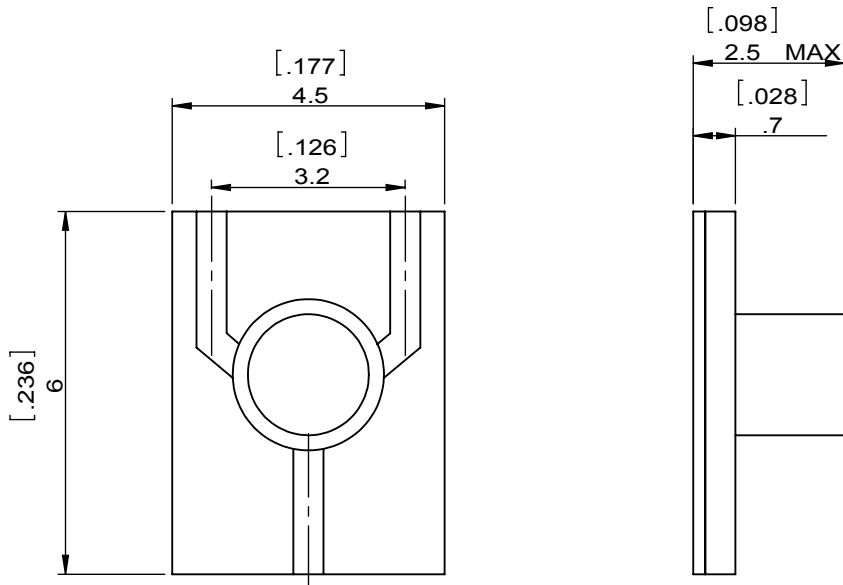


1		2		3		4		5		6	
Document No.		QR4-700-T-003		REV.		DESCRIPTION		REVISOR		DATE	
REV.		A/0		0				YQ.XIE		09.22.2015	
										APPROVED	
										David	



SPECIFICATIONS	
Part's Number	JCS19K5T23K0G0
Frequency(GHz)	19.500~23.000
Direction	
Insertion Loss(dB)MAX	0.8
Isolation(dB)MIN	15
Return Loss(dB)MIN	15.6
3rd IMD(dBc)MAX	
Power FWD/REV/PK(Watt)	1/1/-
Operating Temperature(°C)	-55~+85
Storage Temperature(°C)	
2nd/3rd Harmonic(dBc)	
Termination/Attenuator(Watt/dB)	-
Tab(W×LG×THK)(mm[Inch])	
Additional Notes	GWB

JQL JQL Electronic Inc				
MATERIAL: -		DWG NO: JCS19K5T23K0G0		
SURFACE TREATMENT: -		DWG BY:	YQ.XIE	09.22.2015
DESCRIPTION: MICROSTRIP ISOLATEOR		CHK'D BY:		SCALE
		APP'V'D BY:		8:1
		Unit: mm[inch]	Tolerance: Liner: ±0.25 Anguar: ±0.5°	The First:
				A4



This document is the property of JQL Electronic Inc. It cannot be copied, duplicated, used for manufacturing purposes or communicated to third party as a whole or partly, without the written consent of JQL Electronic Inc.