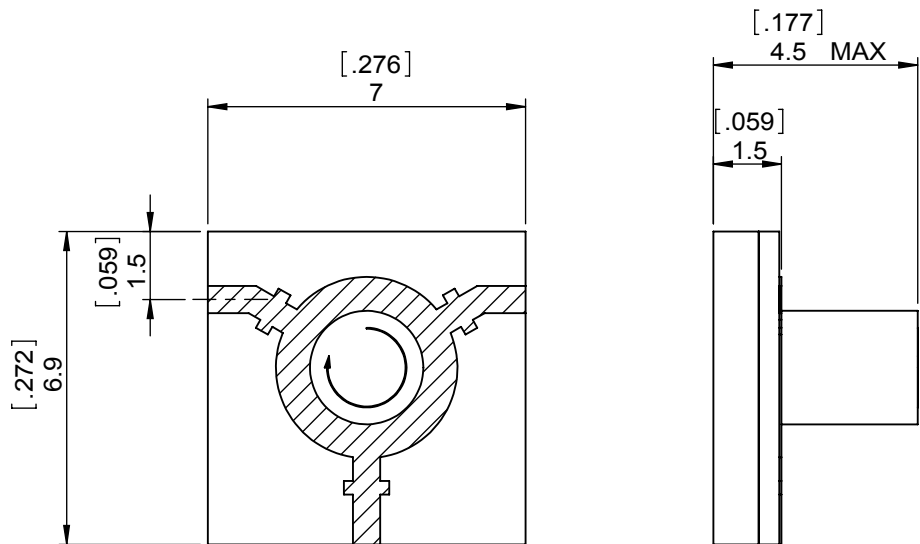
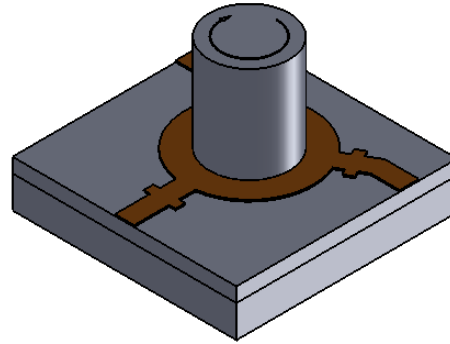


1		2		3		4		5		6	
Document No.	QR4-700-T-003	REV.	A/0	REV.	DESCRIPTION	REVISOR	DATE	APPROVED			
REV.	A/0	0		LJ.Zhang	02.28.2014	David					



SPECIFICATIONS	
Part's Number	JCS8500T9500G0
Frequency(GHz)	8.500~9.500
Direction	CW
Insertion Loss(dB)MAX	0.50
Isolation(dB)MIN	17.0
Return Loss(dB)MIN	17.7
3rd IMD(dBc)MAX	-
Power FWD/REV/PK(Watt)	-/-15
Operating Temperature(°C)	-40~+85
Storage Temperature(°C)	-
2nd/3rd Harmonic(dBc)	-
Termination/Attenuator(Watt/dB)	-
Tab(W×LG×THK)(mm[Inch])	-
Additional Notes	-

JQL JQL Electronic Inc 500 Lake Cook Road, Suite 350 Deerfield, IL 60015, USA Tel: 1(888)236-9828 Fax: 1(888)823-2902

MATERIAL: -	DWG NO: JCS8500T9500G0			
SURFACE TREATMENT: -	DWG BY:	LJ.Zhang	02.28.2014	SACLE
DESCRIPTION: MICRSTRIP CIRCULATOR	CHK'D BY:			6:1
	APPV'D BY:			
	Unit: mm[inch]	Tolerance: Liner: ±0.25 Anguar: ±0.5°	The First:	A4



This document is the property of JQL Electronic Inc. It cannot be copied, duplicated, used for manufacturing purposes or communicated to third party as a whole or partly, without the written consent of JQL Electronic Inc.