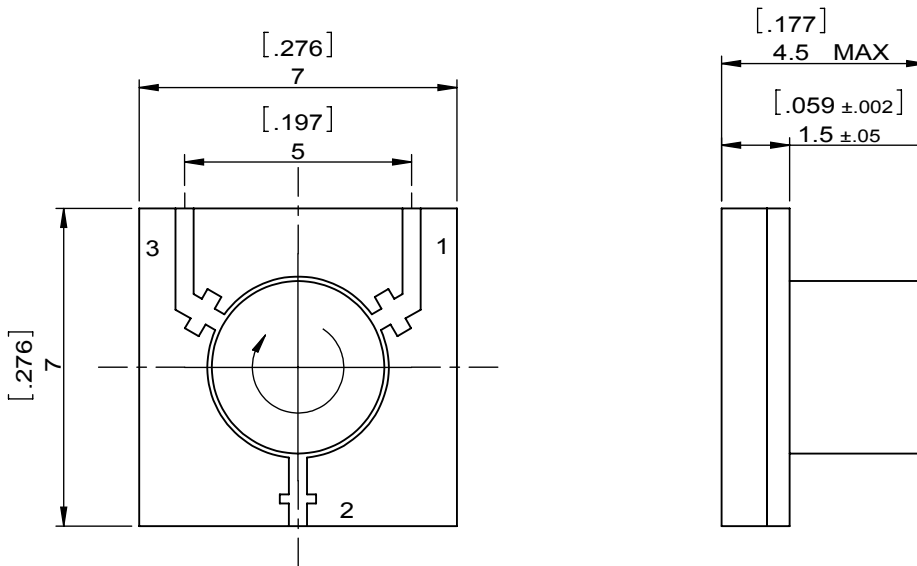
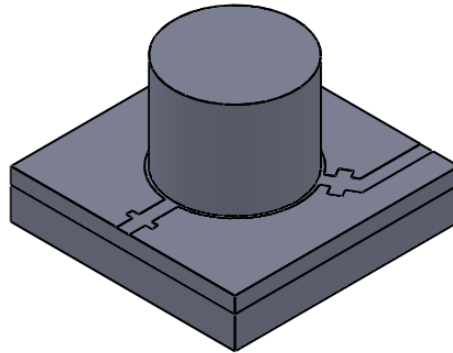


1		2		3		4		5		6	
Document No.		QR4-700-T-003		REV.		DESCRIPTION		REVISOR		DATE	
REV.		A/0		0				ZC.Wu		03.31.2015	
								APPROVED		David	



SPECIFICATIONS	
Part's Number	JCS9000T10K0G0R
Frequency(GHz)	9.000~10.000
Direction	
Insertion Loss(dB)MAX	0.5@ (1-2) (2-3)
Isolation(dB)MIN	18.0
Return Loss(dB)MIN	18.0
3rd IMD(dBc)MAX	
Power FWD/REV/PK(Watt)	15/15/-
Operating Temperature(°C)	-40~+85
Storage Temperature(°C)	
2nd/3rd Harmonic(dBc)	-
Termination/Attenuator(Watt/dB)	
Tab(W×LG×THK)(mm[Inch])	
Additional Notes	-

JQL JQL Electronic Inc				
MATERIAL:		DWG NO: JCS9000T10K0G0R		
SURFACE TREATMENT: NICKEL PLATING		DWG BY:	ZC.Wu	03.31.2015
DESCRIPTION: MICRSTRIP CIRCULATOR		CHK'D BY:		SCALE
		APPV'D BY:		6:1
		Unit: mm[inch]	Tolerance: Liner: ±0.25 Anguar: ±0.5°	The First:
				A4



This document is the property of JQL Electronic Inc. It cannot be copied, duplicated, used for manufacturing purposes or communicated to third party as a whole or partly, without the written consent of JQL Electronic Inc.