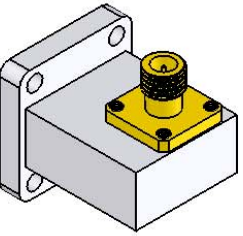
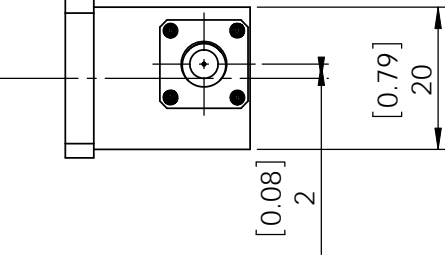
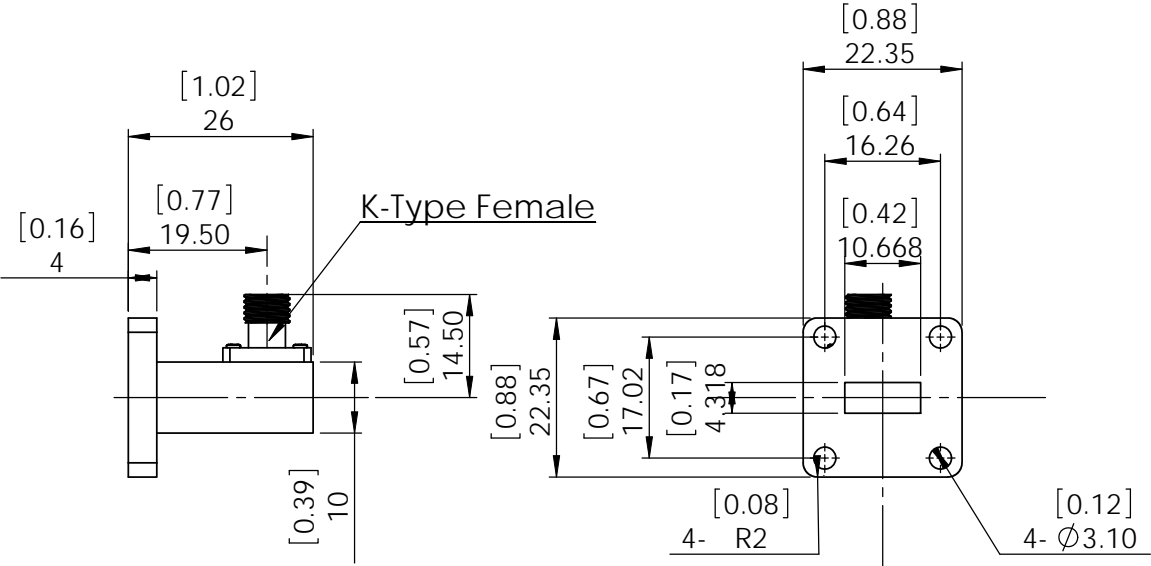


5		6		
REV.	DESCRIPTION	REVISOR	DATE	APPROVE

SPECIFICATIONS

P/N: JACWR42KF
 FREQ: 18~26.5GHz
 VSWR: 1.30:1 MAX
 WAVEGUIDE: WR-42
 CONNECTOR: K-FEMALE



This document is the property of JQL Electronic Inc.
 It cannot be copied, duplicated, used for manufacturing purposes
 or communicated to third party as a whole or partly,
 without the written consent of JQL Electronic Inc.

JQL JQL Electronic Inc 500 Lake Cook Road, Suite 350 Tel : 1(888)236-9828
 Deerfield, IL 60015, USA Fax: 1(630)823-2902

MATERIAL: ALUMINUM	DWG NO. JACWR42KF			
SURFACE TREATMENT:				
DESCRIPTION: WAVEGUIDE COAX ADAPTOR	NAME	DATE	SIGNATURE	REV:
	DWG BY: SY	10.31.08		0
	CHK'D BY: GC	10.31.08		
	APPV'D BY: JZ	10.31.08		
	TOLERANCE Liner: ±0.1mm Angular: ±0.5°		Q.A	A4