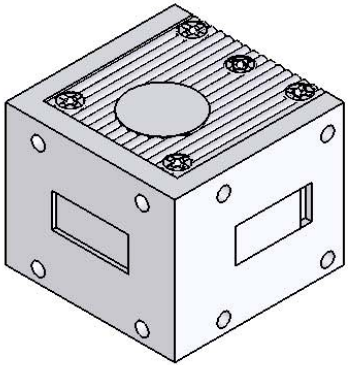
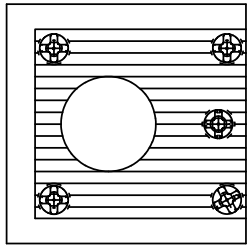
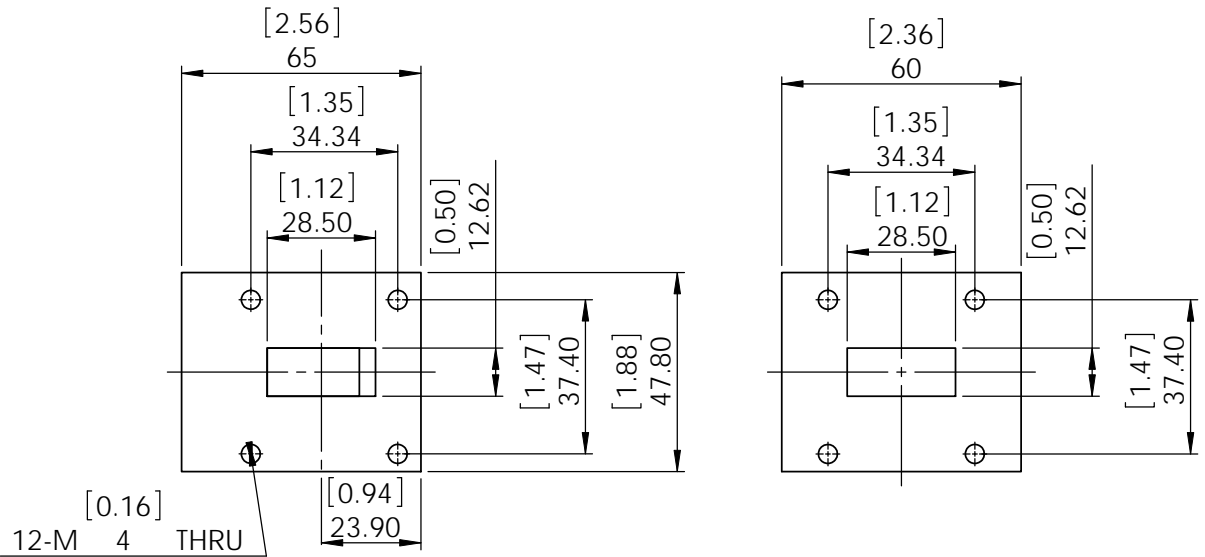


REV.	DESCRIPTION	REVISOR	DATE	APPROVE

SPECIFICATIONS

P/N: JCWR112-6-HP-7800T8400
 FREQ: 7.8~8.4GHZ
 ISOLATION: 23dB MIN
 INS LOSS: 0.4dB MAX
 VSWR: 1.25:1 MAX
 PWR: 350W AVG
 WAVEGUIDE: WR112
 TEMP: -55C~+85C



This document is the property of JQL Electronic Inc. It cannot be copied, duplicated, used for manufacturing purposes or communicated to third party as a whole or partly, without the written consent of JQL Electronic Inc.

JQL JQL Electronic Inc
 500 Lake Cook Road, Suite 350 Tel : 1(888)236-9828
 Deerfield, IL 60015, USA Fax: 1(630)823-2902

MATERIAL:	DWG NO.			
COPPER	JCWR112-6-HP-7800T8400			
SURFACE TREATMENT:	NAME	DATE	SIGNATURE	REV:
SILVER PLATING	DWG BY: SY	10.27.08		0
DESCRIPTION:	CHK'D BY: GC	10.27.08		
WAVEGUIDE CIRCULATOR	APPV'D BY: JZ	10.27.08		
	TOLERANCE	Q.A		A4
	Liner: ±0.1mm			
	Angular: ±0.5°			