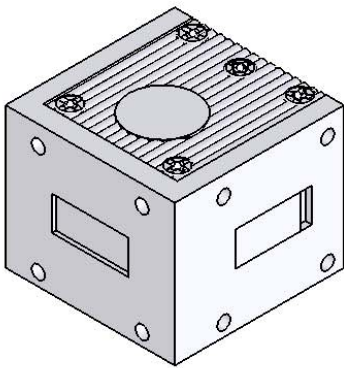
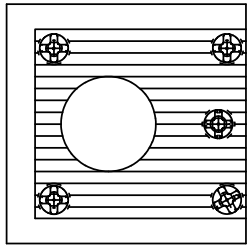
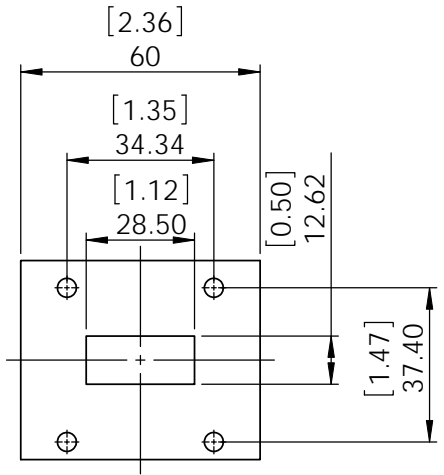
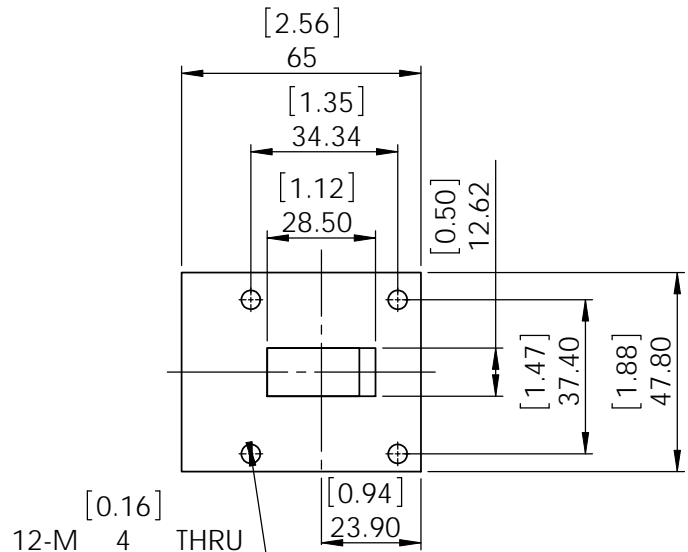


REV.	DESCRIPTION	REVISOR	DATE	APPROVE

**SPECIFICATIONS**

P/N: JCWR112-6-HP-TBD  
 FREQ: 7.050~10.00GHz  
 Up To 20% Bandwidth

ISOLATION: 23dB MIN  
 INS LOSS: 0.4dB MAX  
 VSWR: 1.25:1 MAX  
 PWR: 350W AVG  
 WAVEGUIDE: WR112  
 TEMP: -40C~+85C



This document is the property of JQL Electronic Inc. It cannot be copied, duplicated, used for manufacturing purposes or communicated to third party as a whole or partly, without the written consent of JQL Electronic Inc.

**JQL JQL Electronic Inc** 500 Lake Cook Road, Suite 350 Tel : 1(888)236-9828  
 Deerfield, IL 60015, USA Fax: 1(630)823-2902

MATERIAL: <b>COPPER</b>	DWG NO. <b>JCWR112-6-HP-TBD</b>			
SURFACE TREATMENT: <b>SILVER PLATING</b>	NAME	DATE	SIGNATURE	REV:
DESCRIPTION: <b>WAVEGUIDE CIRCULATOR</b>	DWG BY: <b>SY</b>	<b>10.27.08</b>		<b>0</b>
	CHK'D BY: <b>GC</b>	<b>10.27.08</b>		
	APPV'D BY: <b>JZ</b>	<b>10.27.08</b>		
	TOLERANCE Liner: ±0.1mm Angular: ±0.5°		Q.A	<b>A4</b>