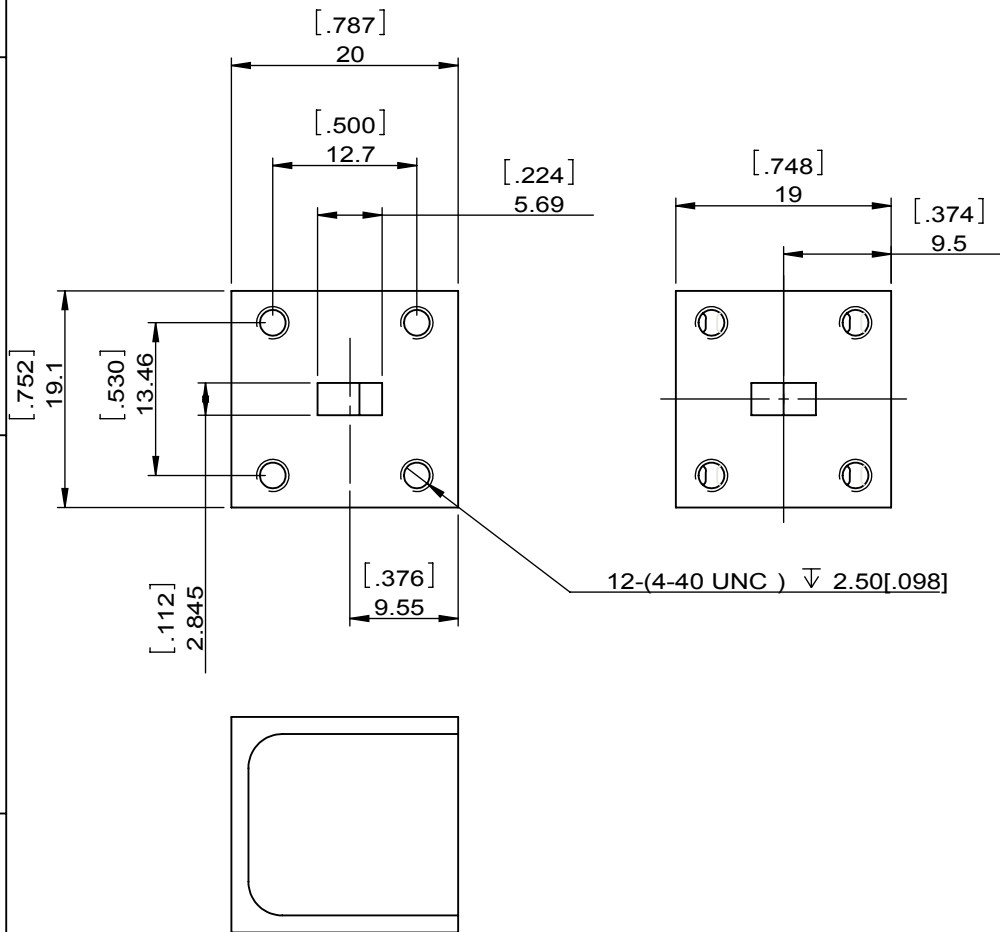


1		2		3		4		5		6	
Document No.	QR4-700-T-003	REV.	A/0	REV.	DESCRIPTION	REVISOR	DATE	APPROVED			
		0		YQ.XIE	09.28.2015	David					



SPECIFICATIONS	
Part's Number	JCWR22-19-TBD
Frequency(GHz)	32.90~50.10
Bandwidth Up To 10%	
Direction	-
Insertion Loss(dB)MAX	0.50
Isolation(dB)MIN	22
Return Loss(dB)MIN	20
3rd IMD(dBc)MAX	
Power FWD/REV/PK(Watt)	1/1
Operating Temperature(°C)	-40~+80
Storage Temperature(°C)	
2nd/3rd Harmonic(dBc)	-
Termination/Attenuator(Watt/dB)	
Tab(W×LG×THK)(mm[Inch])	
Additional Notes	-

JQL Electronic Inc				
MATERIAL: ALUM		DWG NO: JCWR22-19-TBD		
SURFACE TREATMENT: CHEM FILM		DWG BY:	YQ.XIE	09.28.2015
DESCRIPTION: WAVE GUIDE CIRCULATOR		CHK'D BY:		SCALE
		APP'V'D BY:		3:2
		Unit: mm[inch]	Tolerance: Liner: ±0.25 Anguar: ±0.5°	The First:
				A4



This document is the property of JQL Electronic Inc. It cannot be copied, duplicated, used for manufacturing purposes or communicated to third party as a whole or partly, without the written consent of JQL Electronic Inc.