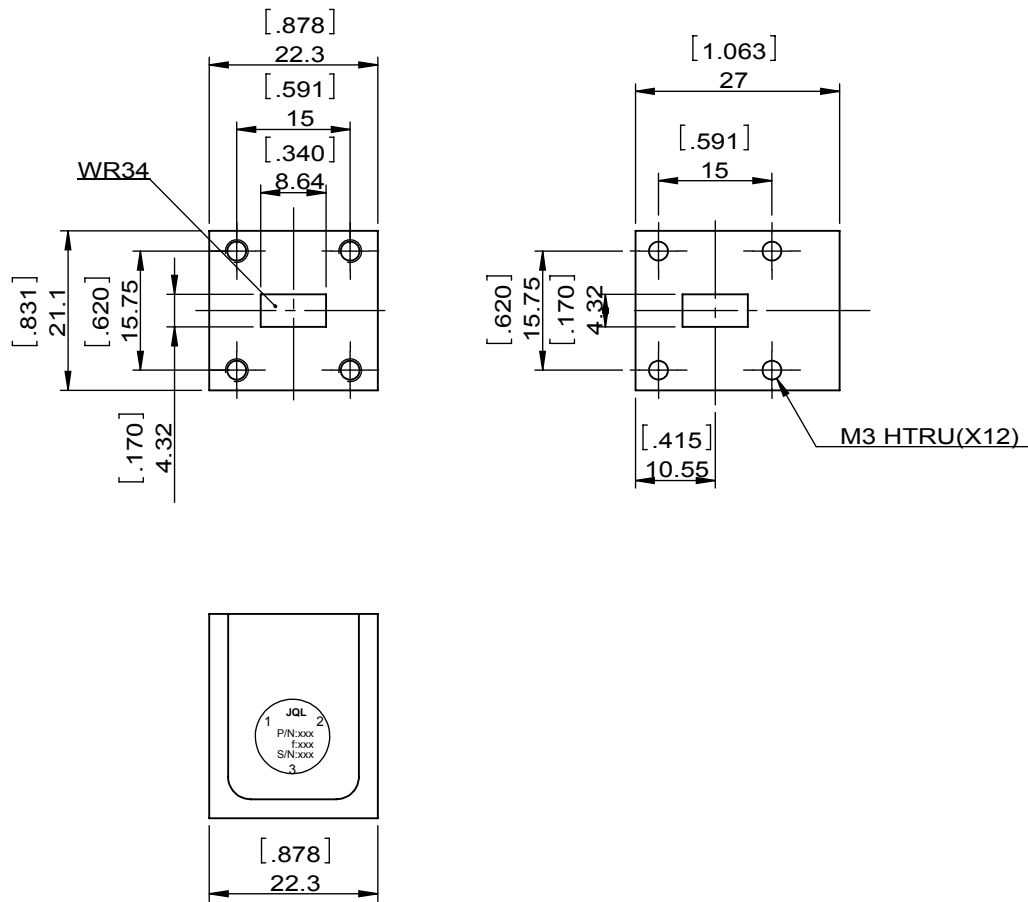


1		2		3		4		5		6	
Document No. QR4-700-T-003						REV. 0		DESCRIPTION		REVISOR ZC.Wu	
REV. A/0										DATE 09.25.2015	
										APPROVED David	



SPECIFICATIONS	
Part's Number	JCWR34-22D3-26K2T26K7
Frequency(GHz)	26.20~26.70
Direction	CW
Insertion Loss(dB)MAX	22.0
Isolation(dB)MIN	0.3
Return Loss(dB)MIN	20
3rd IMD(dBc)MAX	
Power FWD/REV/PK(Watt)	5/5/-
Operating Temperature(°C)	-30~+75
Storage Temperature(°C)	
2nd/3rd Harmonic(dBc)	-
Termination/Attenuator(Watt/dB)	
Tab(W×LG×THK)(mm[Inch])	
Additional Notes	-

JQL Electronic Inc				
MATERIAL: ALUM		DWG NO: JCWR34-22D3-26K2T26K7		
SURFACE TREATMENT: CHEM FILM		DWG BY:	ZC.Wu	09.25.2015
DESCRIPTION: WAVE GUIDE CIRCULATOR		CHK'D BY:		SCALE
		APP'V'D BY:		1:1
		Unit: mm[inch]	Tolerance: Liner: ±0.25 Anguar: ±0.5°	The First:
				A4



This document is the property of JQL Electronic Inc. It cannot be copied, duplicated, used for manufacturing purposes or communicated to third party as a whole or partly, without the written consent of JQL Electronic Inc.