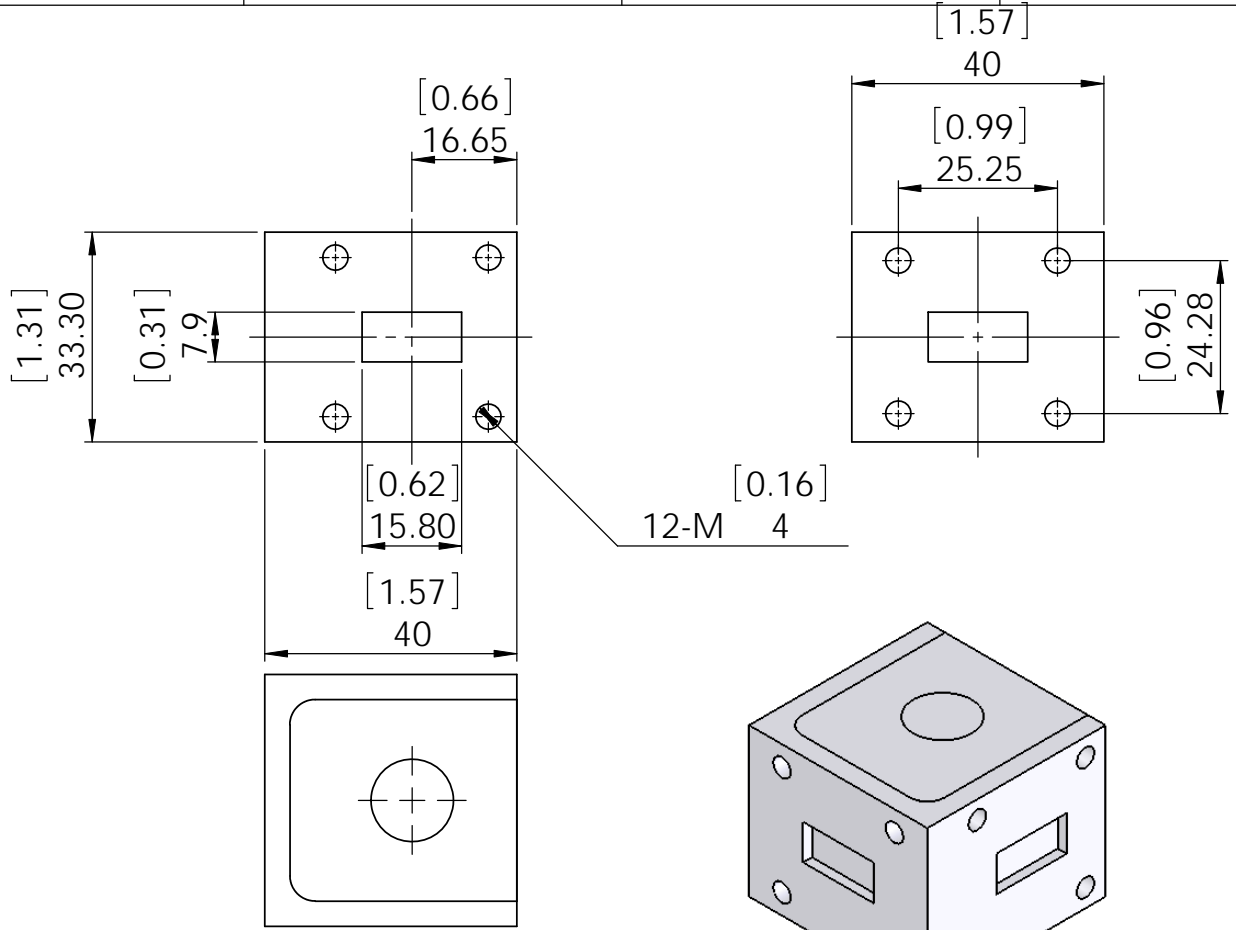


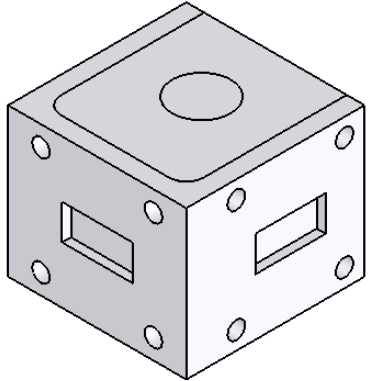
5		6		
REV.	DESCRIPTION	REVISOR	DATE	APPROVE



SPECIFICATIONS

P/N: JCWR62-40-15K42T15K58
 FREQ: 15.42~15.58GHz

ISOLATION: 25dB MIN
 INS LOSS: 0.3dB MAX
 VSWR: 1.20:1 MAX
 PWR: 10W
 TEMP: -40C~+85C
 WAVEGUIDE: WR62



This document is the property of JQL Electronic Inc.
 It cannot be copied, duplicated, used for manufacturing purposes
 or communicated to third party as a whole or partly,
 without the written consent of JQL Electronic Inc.

JQL JQL Electronic Inc 500 Lake Cook Road, Suite 350 Tel : 1(888)236-9828
 Deerfield, IL 60015, USA Fax: 1(630)823-2902

MATERIAL:	DWG NO. JCWR62-40-15K42T15K58			
SURFACE TREATMENT:				
DESCRIPTION:	WAVEGUIDE CIRCULATOR		TOLERANCE Liner: ±0.1mm Angular: ±0.5°	Q.A A4
	NAME	DATE	SIGNATURE	REV:
	DWG BY: SY			0
	CHK'D BY: GC			
	APPV'D BY: JZ			