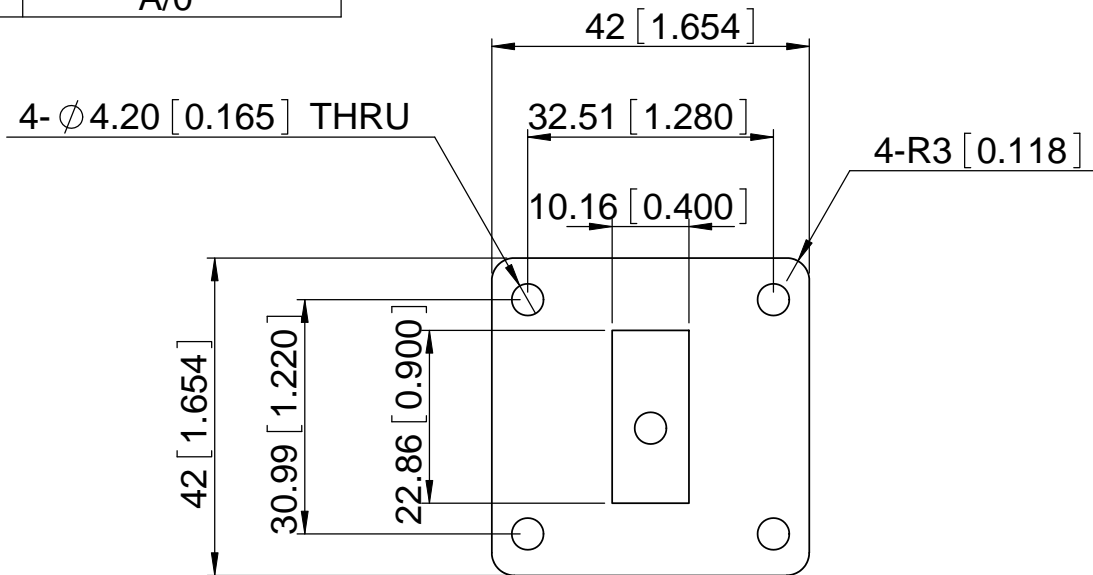


1	2
Document No.	QR4-700-T-003
REV.	A/0

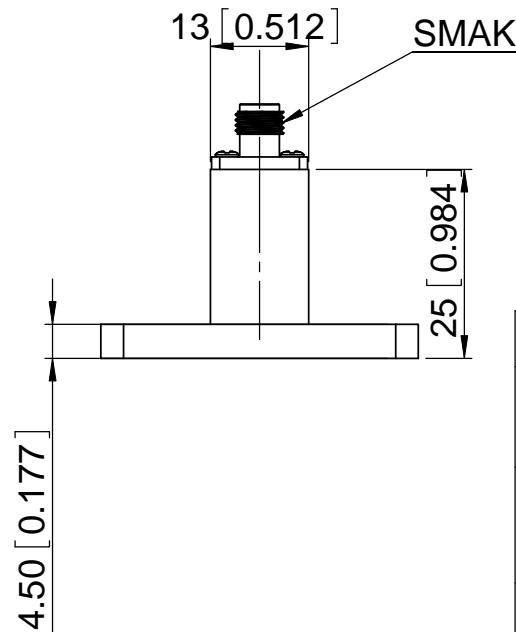
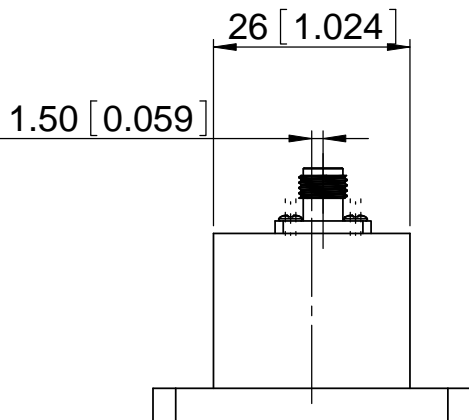
5	6			
REV.	DESCRIPTION	REVISOR	DATE	APPROVE
0		ZLJ	09.13.12	CH



**SPECIFICATIONS**

P/N: JCWR90-25-9200T10K2  
 FREQ: 9.2~10.2GHz

INS LOSS: 0.1dB MAX  
 VSWR: 1.20:1



This document is the property of JQL Electronic Inc. It cannot be copied, duplicated, used for manufacturing purposes or communicated to third party as a whole or partly, without the written consent of JQL Electronic Inc.

**JQL** JQL Electronic Inc

500 Lake Cook Road, Suite 350 Tel : 1(888)236-9828  
 Deerfield, IL 60015, USA Fax: 1(630)823-2902

PACKAGE CODE:	DWG NO.		
	JCWR90-25-9200T10K2		
SURFACE TREATMENT:			
DESCRIPTION:	DWG BY:	NAME	DATE
	CHK'D BY:	ZLJ	09.13.12
	APP'V'D BY:		
	Unit:	TOLERANCE:	Type Of Projection
	mm/inch	Liner: ±0.1mm Angular: ±0.5°	