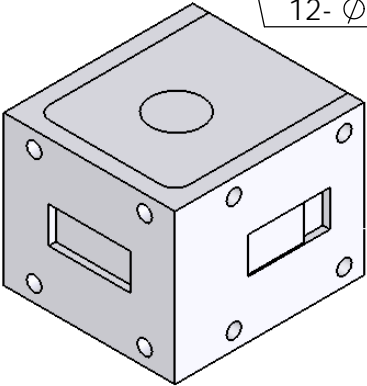
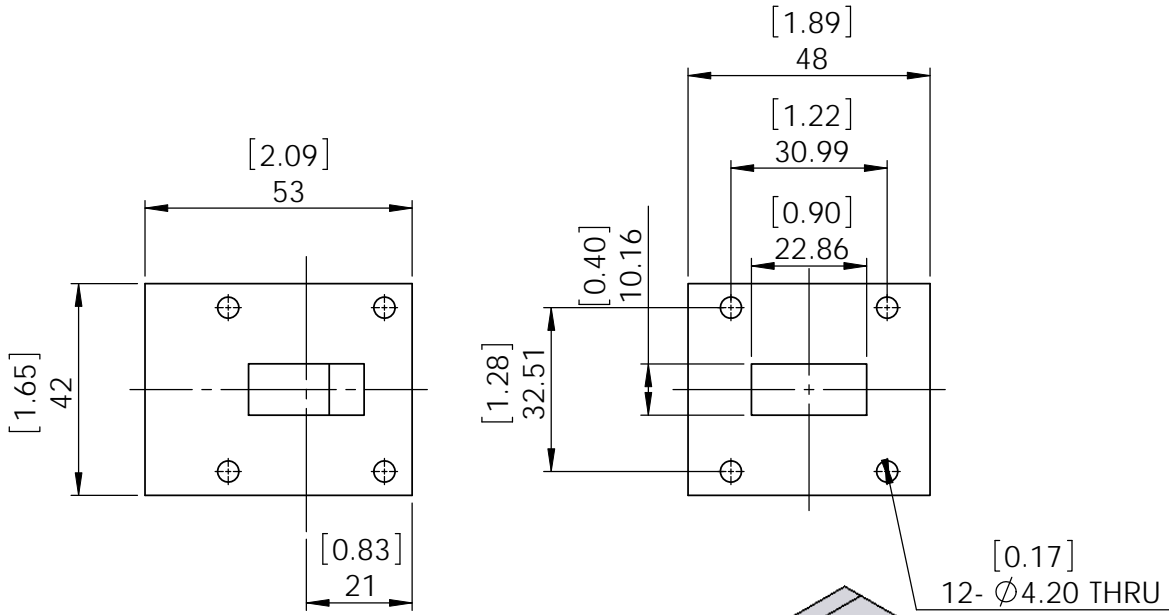


REV.	DESCRIPTION	REVISOR	DATE	APPROVE

**SPECIFICATIONS**

P/N: JCWR90-48-10K5T11K8  
 FREQ: 10.50~11.80GHz

ISOLATION TYP/MIN: 23dBdB  
 INS LOSS TYP/MAX: 0.25dB  
 VSWR TYP/MAX: 1.15:1  
 PWR: 15W  
 TEMP: -40C~+85C



This document is the property of JQL Electronic Inc. It cannot be copied, duplicated, used for manufacturing purposes or communicated to third party as a whole or partly, without the written consent of JQL Electronic Inc.

**JQL JQL Electronic Inc** 500 Lake Cook Road, Suite 350 Deerfield, IL 60015, USA Tel: 1(888)236-9828 Fax: 1(630)823-2902

MATERIAL: <b>ALUM</b>	DWG NO. <b>JCWR90-48-10K5T11K8</b>			
SURFACE TREATMENT:				
DESCRIPTION: <b>WAVEGUIDE CIRC</b>		NAME	DATE	SIGNATURE
	DWG BY:	<b>SY</b>	<b>10.22.08</b>	
	CHK'D BY:	<b>GC</b>	<b>10.22.08</b>	
	APPV'D BY:	<b>JZ</b>	<b>10.22.08</b>	
		TOLERANCE	Q.A	
		Liner: ±0.1mm		A4
		Angular: ±0.5°		