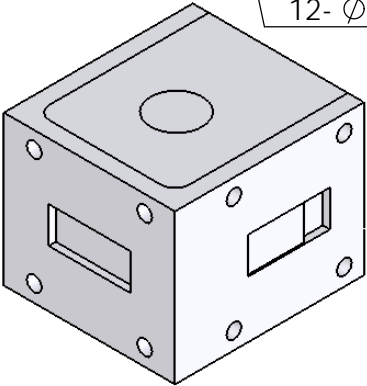
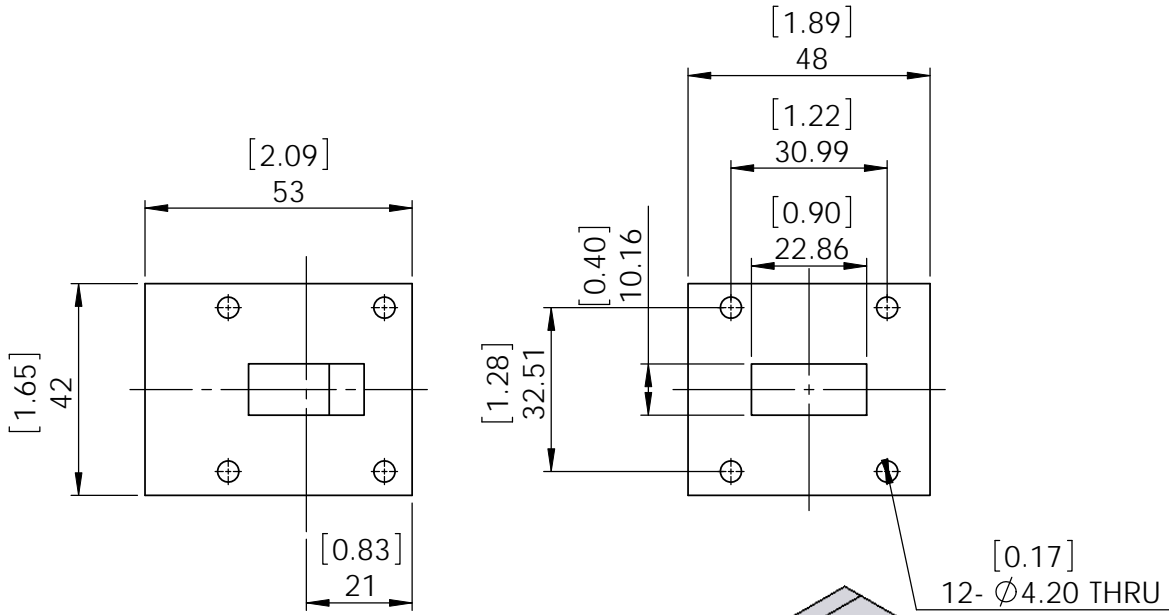


REV.	DESCRIPTION	REVISOR	DATE	APPROVE

**SPECIFICATIONS**

P/N: JCWR90-48-10K7T11K7  
 FREQ: 10.70~11.70GHz

ISOLATION TYP/MIN: 23dBdB  
 INS LOSS TYP/MAX: 0.25dB  
 VSWR TYP/MAX: 1.15:1  
 PWR: 15W  
 TEMP: -40C~+85C



This document is the property of JQL Electronic Inc.  
 It cannot be copied, duplicated, used for manufacturing purposes  
 or communicated to third party as a whole or partly,  
 without the written consent of JQL Electronic Inc.

**JQL JQL Electronic Inc** 500 Lake Cook Road, Suite 350 Tel: 1(888)236-9828  
 Deerfield, IL 60015, USA Fax: 1(630)823-2902

MATERIAL:	DWG NO.			
ALUM	JCWR90-48-10K7T11K7			
SURFACE TREATMENT:	NAME	DATE	SIGNATURE	REV:
DESCRIPTION:	DWG BY: SY	10.22.08		0
	CHK'D BY: GC	10.22.08		
	APPV'D BY: JZ	10.22.08		
WAVEGUIDE CIRC	TOLERANCE		Q.A	A4
	Liner: ±0.1mm			
	Angular: ±0.5°			