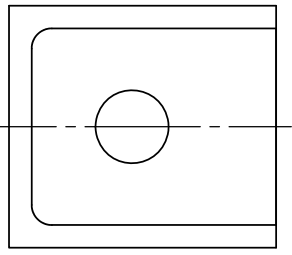
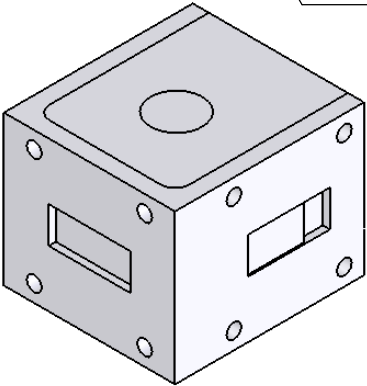
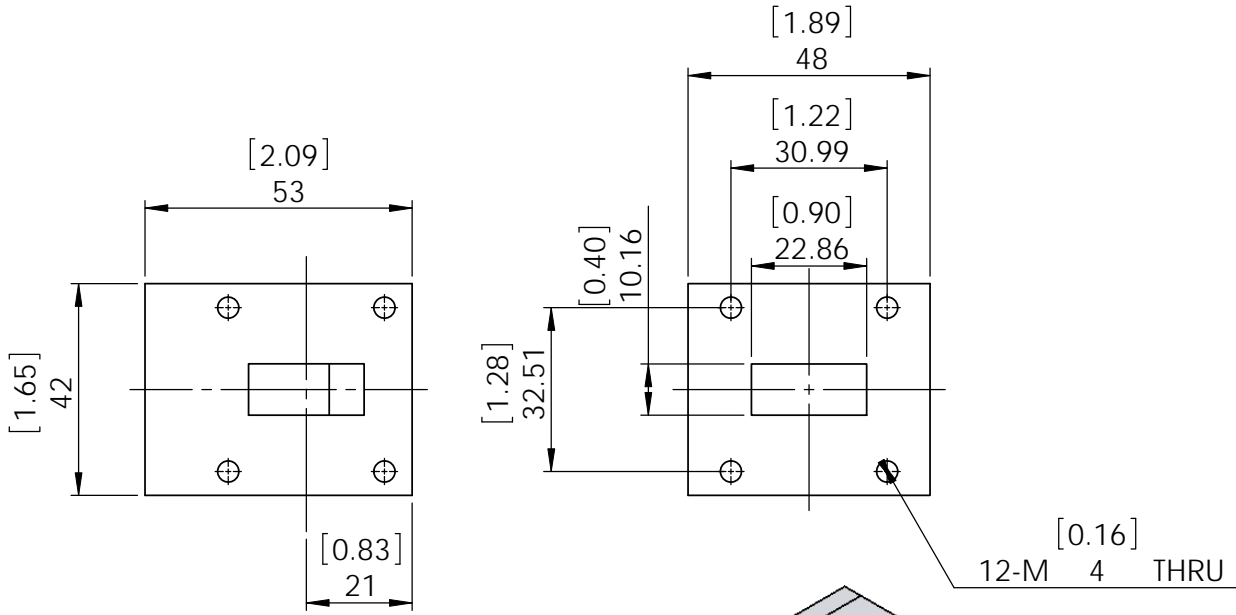


REV.	DESCRIPTION	REVISOR	DATE	APPROVE

SPECIFICATIONS

P/N: JCWR90-48-8200T9200-M4
 FREQ: 8.2~9.2GHz

ISOLATION TYP/MIN: 20dB
 INS LOSS TYP/MAX: 0.3dB
 VSWR TYP/MAX: 1.25:1
 PWR: 10W
 TEMP: -40C~+85C



This document is the property of JQL Electronic Inc.
 It cannot be copied, duplicated, used for manufacturing purposes
 or communicated to third party as a whole or partly,
 without the written consent of JQL Electronic Inc.

JQL JQL Electronic Inc 500 Lake Cook Road, Suite 350 Tel: 1(888)236-9828
 Deerfield, IL 60015, USA Fax: 1(630)823-2902

MATERIAL:	DWG NO.			
ALUM	JCWR90-48-8200T9200-M4			
SURFACE TREATMENT:				
DESCRIPTION:	NAME	DATE	SIGNATURE	REV:
WAVEGUIDE CIRC	DWG BY: SY	10.22.08		0
	CHK'D BY: GC	10.22.08		
	APPV'D BY: JZ	10.22.08		
	TOLERANCE		Q.A	A4
	Liner: ±0.1mm			
	Angular: ±0.5°			