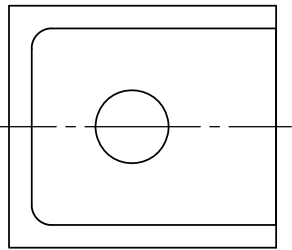
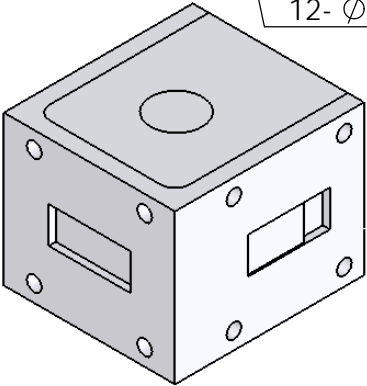
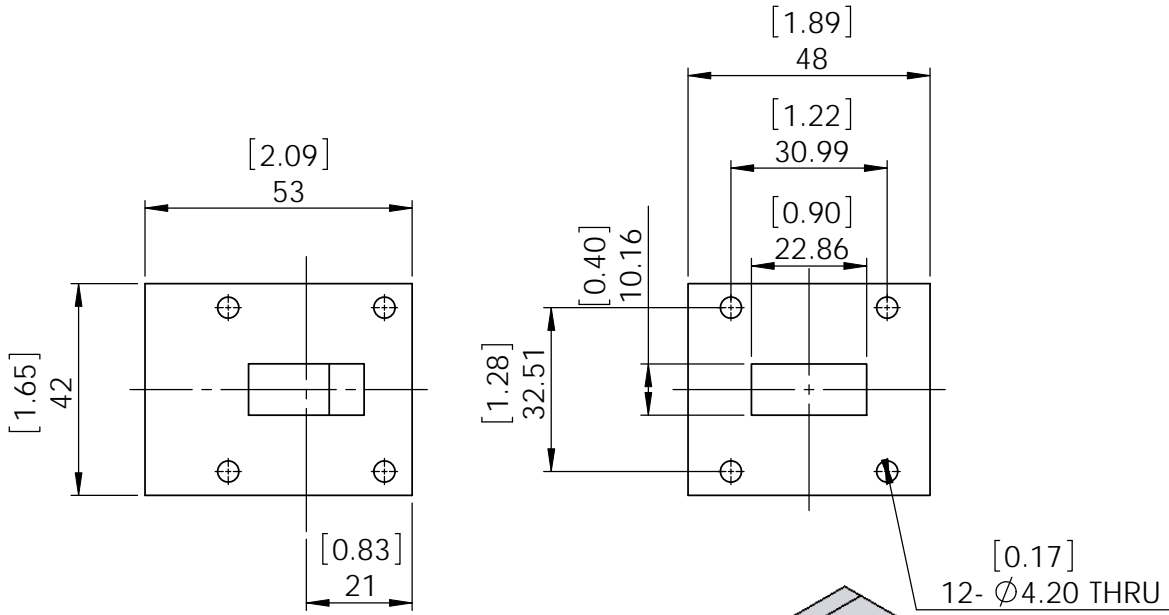


5		6		
REV.	DESCRIPTION	REVISOR	DATE	APPROVE

SPECIFICATIONS

P/N: JCWR90-48-9000T10K0
 FREQ: 9.00~10.0GHZ

ISOLATION TYP/MIN: 20dB
 INS LOSS TYP/MAX: 0.3dB
 VSWR TYP/MAX: 1.2:1
 PWR: 30W
 TEMP: -40C~+85C



This document is the property of JQL Electronic Inc. It cannot be copied, duplicated, used for manufacturing purposes or communicated to third party as a whole or partly, without the written consent of JQL Electronic Inc.

JQL JQL Electronic Inc 500 Lake Cook Road, Suite 350 Deerfield, IL 60015, USA Tel: 1(888)236-9828 Fax: 1(630)823-2902

MATERIAL:	DWG NO.			
ALUM	JCWR90-48-9000T10K0			
SURFACE TREATMENT:	NAME	DATE	SIGNATURE	REV:
DESCRIPTION:	DWG BY: SY	10.22.08		0
	CHK'D BY: GC	10.22.08		
	APP'V'D BY: JZ	10.22.08		
WAVEGUIDE CIRC	TOLERANCE		Q.A	A4
	Liner: ±0.1mm			
	Angular: ±0.5°			