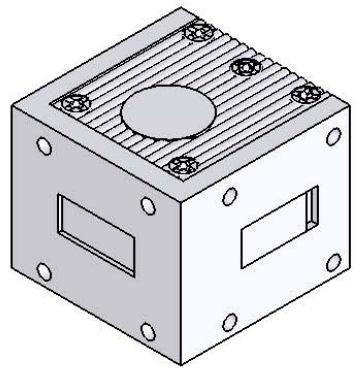
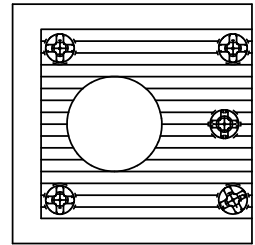
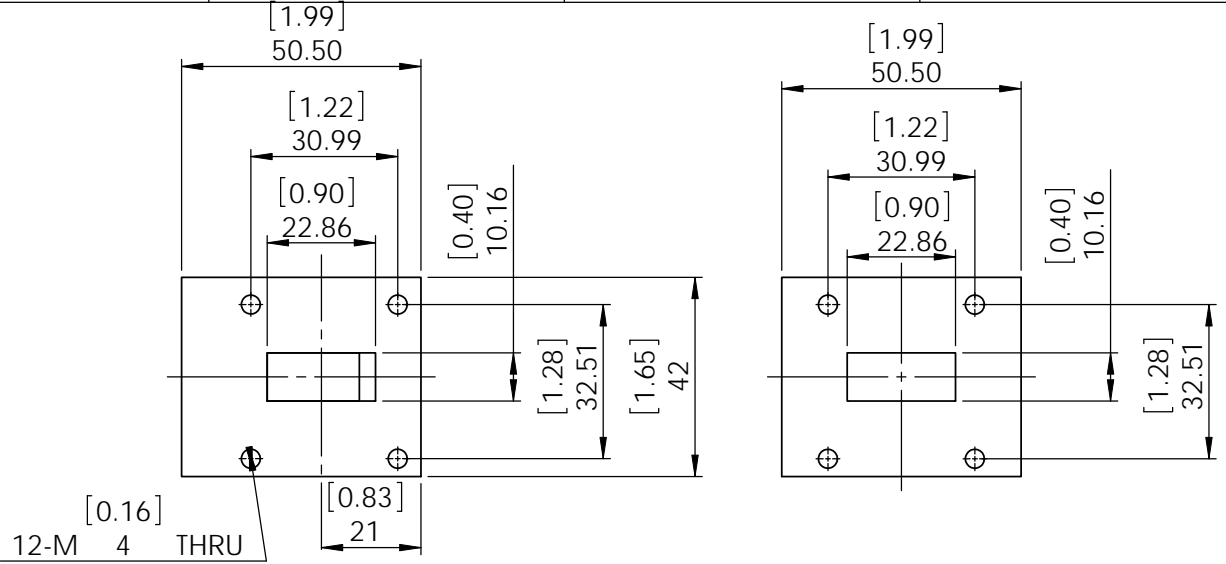


REV.	DESCRIPTION	REVISOR	DATE	APPROVE

**SPECIFICATIONS**

P/N: JCWR90-9000T9500-HP10  
 FREQ: 9.0~9.5GHz  
 ISOLATION: 25dB MIN  
 INS LOSS: 0.3dB MAX  
 VSWR: 1.2:1 MAX  
 PWR PK/AVG: 1KW/100W  
 TEMPERATURE OPERATING: -30C~+80C  
 STORAGE: -55C~+125C



This document is the property of JQL Electronic Inc. It cannot be copied, duplicated, used for manufacturing purposes or communicated to third party as a whole or partly, without the written consent of JQL Electronic Inc.

<b>JQL JQL Electronic Inc</b>		500 Lake Cook Road, Suite 350 Deerfield, IL 60015, USA		Tel : 1(888)236-9828 Fax: 1(630)823-2902	
MATERIAL: <b>COPPER</b>		DWG NO. <b>JCWR90-9000T9500-HP10</b>			
SURFACE TREATMENT: <b>SILVER PLATING</b>		NAME		DATE	
DESCRIPTION: <b>WAVEGUIDE CIRCULATOR</b>		SIGNATURE		REV:	
		DWG BY: <b>SY</b>			
		CHK'D BY: <b>GC</b>			
		APPV'D BY: <b>JZ</b>			
		TOLERANCE Liner: ±0.1mm Angular: ±0.5°		Q.A	
				<b>0</b>	
				<b>A4</b>	