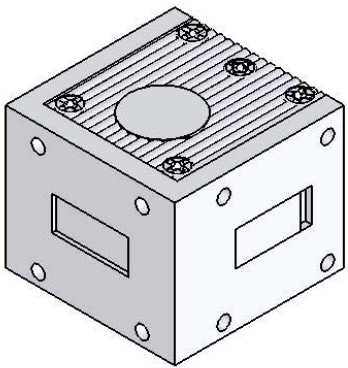
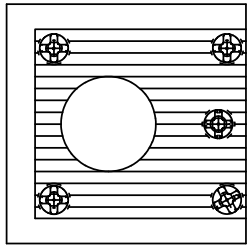
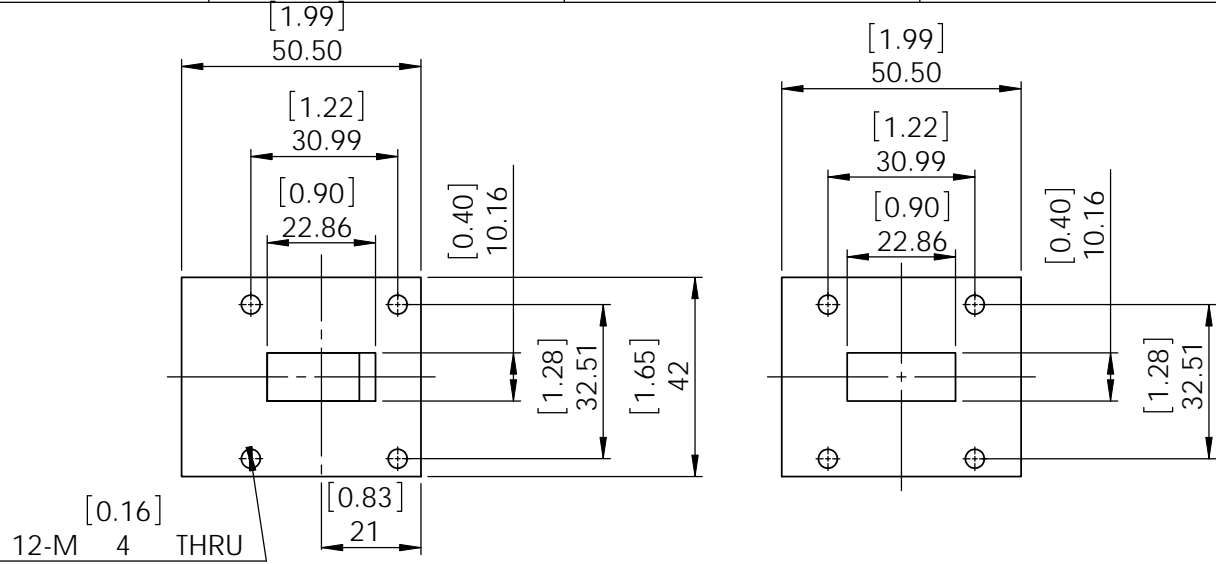


REV.	DESCRIPTION	REVISOR	DATE	APPROVE

**SPECIFICATIONS**

P/N: JCWR90-9150T9600-HP10  
 FREQ: 9.150~9.600GHz  
 ISOLATION: 22dB MIN  
 INS LOSS: 0.3dB MAX  
 VSWR: 1.2:1 MAX  
 PWR PK/AVG: 500W/80W  
 TEMPERATURE OPERATING: -10C~+55C  
 STORAGE: -55C~+125C



This document is the property of JQL Electronic Inc. It cannot be copied, duplicated, used for manufacturing purposes or communicated to third party as a whole or partly, without the written consent of JQL Electronic Inc.

**JQL JQL Electronic Inc** 500 Lake Cook Road, Suite 350 Tel : 1(888)236-9828  
 Deerfield, IL 60015, USA Fax: 1(630)823-2902

MATERIAL:	COPPER			
SURFACE TREATMENT:	SILVER PLATING			
DESCRIPTION:	WAVEGUIDE CIRCULATOR			
DWG NO.	JCWR90-9150T9600-HP10			
DWG BY:	SY	DATE	SIGNATURE	REV:
CHK'D BY:	GC			0
APPV'D BY:	JZ			
		TOLERANCE	Q.A	A4
		Liner: ±0.1mm		
		Angular: ±0.5°		