

1		2		3		4		5		6	
Document No.	QR4-700-T-003	REV.	A/0	REV.	DESCRIPTION	REVISOR	DATE	APPROVED			
				0		LJ.Zhang	11.06.2014	David			

A

B

C

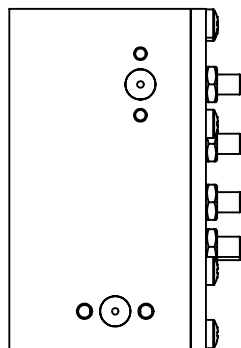
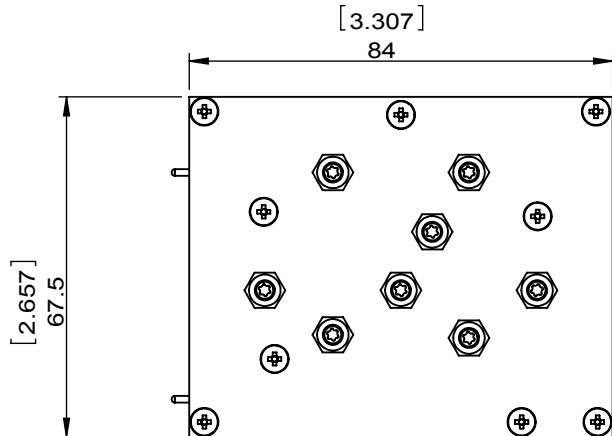
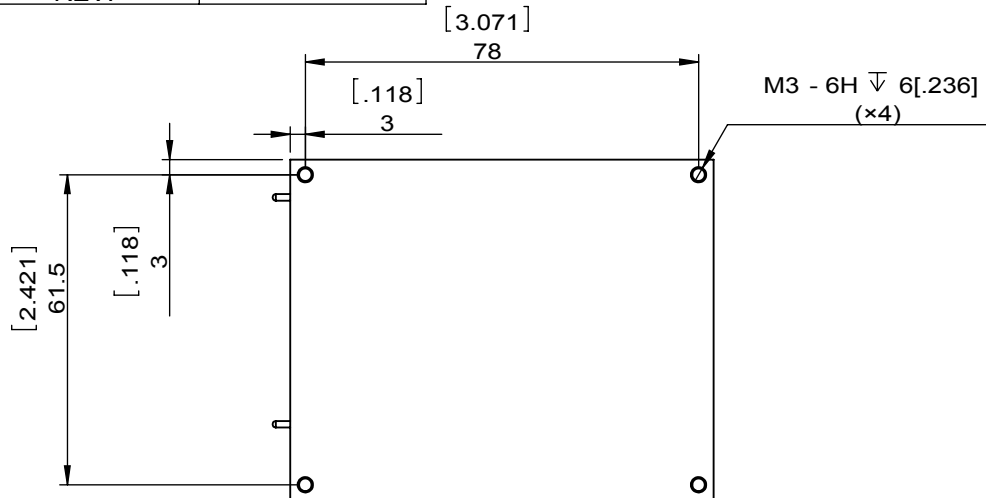
D

A

B

C

D



ITEM	SPECIFICATIONS
Frequency(MHz)	700~800
Insertion Loss(dB)	1.4 Max
Rejection(dBc)	40 Min@ f>870MHz & f<630 MHz
Ultimate(dBc)	90 Min@2000~6000 MHz
Operating Temperature(°C)	-32~+49
Non-Operating Temperature(°C)	-35~+71
Operating Altitude	10000 ft ASL
Notes	

JQL JQL Electronic Inc

MATERIAL:	DWG NO: JFCB0700T0800SF			
SURFACE TREATMENT: PAINTED BLACK	DWG BY:	LJ.Zhang	11.06.2014	SCALE
	CHK'D BY:			
DESCRIPTION: PASS BAND FILTER	APPV'D BY:			1:1.5
	Unit:	Tolerance:	The First:	A4
	mm[inch]	Liner: ±0.25 Anguar: ±0.5°		



This document is the property of JQL Electronic Inc. It cannot be copied, duplicated, used for manufacturing purposes or communicated to third party as a whole or partly, without the written consent of JQL Electronic Inc.

1

2

3

WEIGHT:

5

SHEET 1 OF 1