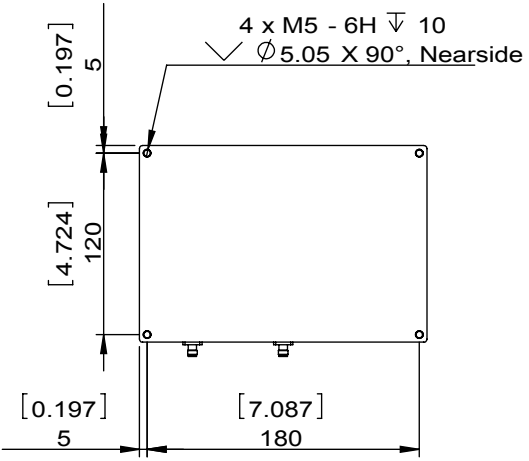
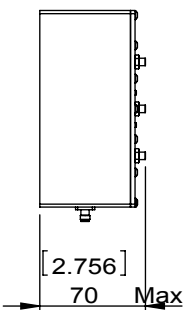
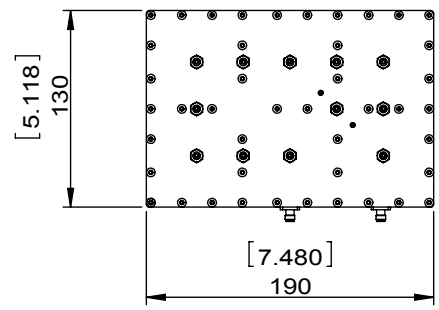
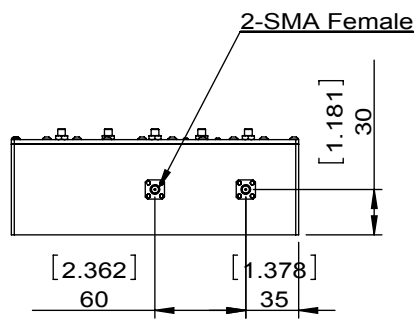


Document No.	QR4-700-T-003
REV.	A/0

REV.	DESCRIPTION	REVISER	DATE	APPROVED
0		ZQ.Hou	12.04.2014	David



ITEM	SPECIFICATIONS
Frequency Band(MHz)	896-902
Insertion loss(dB)	< 2.5
Passband RL(dB)	> 15
Out of band rejection(dB)	50min@DC-894MHz 50min@894MHz 110min@928MHz 60min@928MHz-2GHz
Power Handling(W)	50
Impedance(Ω)	50
Operating temperature($^{\circ}$ C)	-30~+70
Dimensions l*w*h(mm)	190*130*70
Weight(kg)	2.1
Painting color	BLACK
Connectors	SMA-female

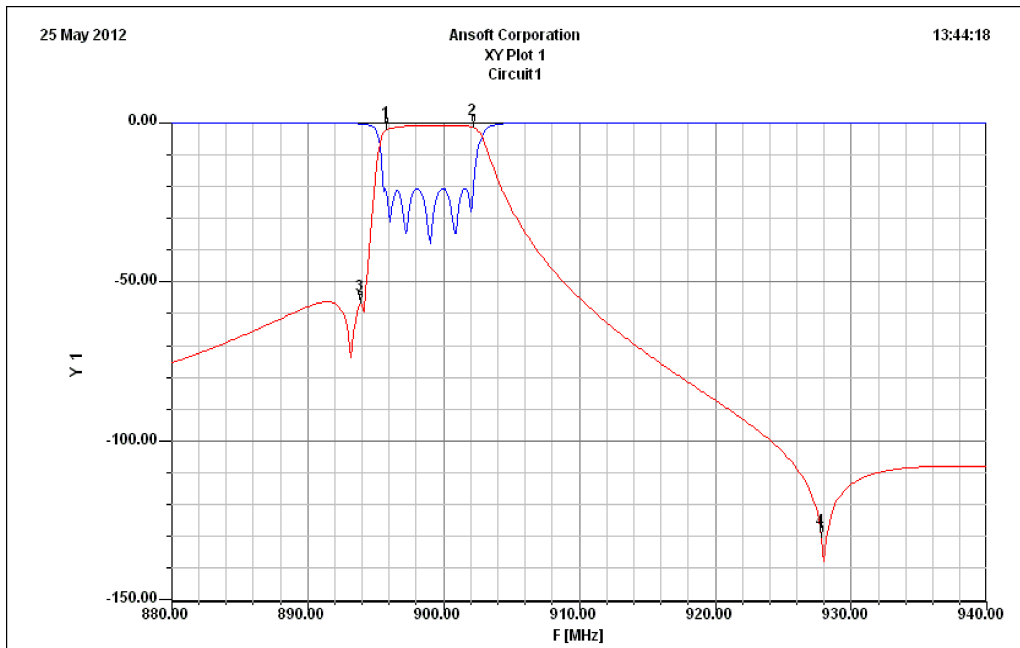
JQL JQL Electronic Inc

MATERIAL:	DWG NO: JFCB0896T0902S			
	DWG BY:	zqhou	12.04.2014	SCALE
SURFACE TREATMENT: PAINTED BLACK	CHK'D BY:			1:5
	APPV'D BY:			
DESCRIPTION: FILTER	Unit:	Tolerance:	The First:	A4
	mm[inch]	Liner: \pm 0.1mm	∇	
		Anguar: \pm 0.5 $^{\circ}$		



This document is the property of JQL Electronic Inc.
 It cannot be copied, duplicated, used for manufacturing purposes
 or communicated to third party as a whole or partly,
 without the written consent of JQL Electronic Inc.

1		2		3		4		5		6	
Document No. QR4-700-T-003											
REV.		A/0									
REV.		A/0									
						REV.		DESCRIPTION		REVISER	
						0				ZQ.Hou	
										DATE	
										12.04.2014	
										APPROVED	
										David	



X1= 895.80	X2= 902.20	X3= 893.90	X4= 927.80
Y1= -2.20	Y2= -1.37	Y3= -56.50	Y4= -129.91

dB(S11)	Y1
NWA1	
dB(S21)	Y1
NWA1	

ITEM	SPECIFICATIONS	Maker Proposal Specification
Frequency Band(MHz)	896-902	OK
Insertion loss(dB)	< 2.5	OK
Passband RL(dB)	> 15	OK
Out of band rejection(dB)	50min@DC-894MHz 50min@894MHz 110min@928MHz 60min@928MHz-2GHz	OK
Power Handling(W)	50	OK
Impedance(Ω)	50	OK
Operating temperature(°C)	-30~+70	OK
Dimensions l*w*h(mm)	190*130*70	OK
Weight(kg)	2.1	OK
Painting color	BLACK	OK
Connectors	SMA-female	OK

JQL JQL Electronic Inc

MATERIAL:		DWG NO: JFCB0896T0902S			
SURFACE TREATMENT: PAINTED BLACK		DWG BY:	zqhou	12.04.2014	SCALE
DESCRIPTION: FILTER		CHK'D BY:			1:5
		APPV'D BY:			
		Unit:	Tolerance:	The First:	A4
		mm[inch]	Liner: ±0.1mm Anguar: ±0.5°		



This document is the property of JQL Electronic Inc. It cannot be copied, duplicated, used for manufacturing purposes or communicated to third party as a whole or partly, without the written consent of JQL Electronic Inc.