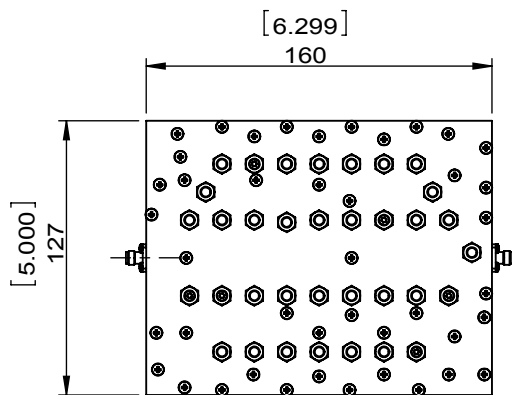
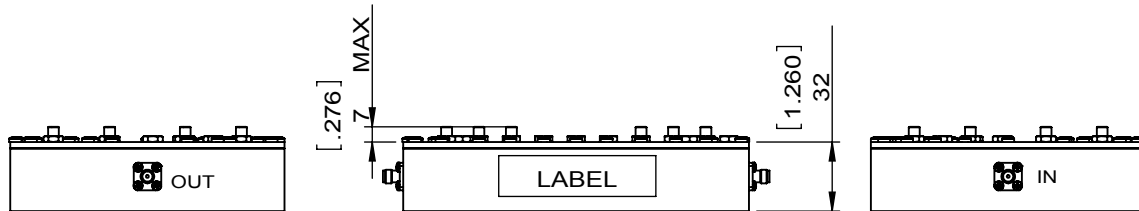
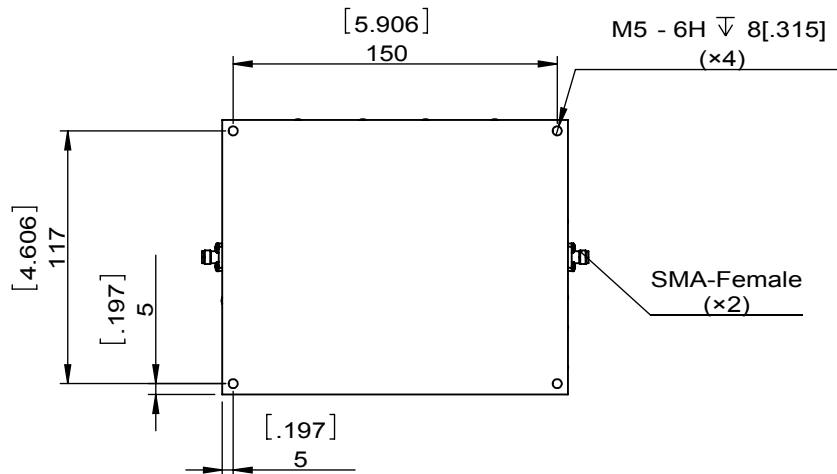


1		2		3		4		5		6	
Document No.	QR4-700-T-003	REV.	A/0	REV.	DESCRIPTION	REVISOR	DATE	APPROVED			
		0				LJ.Zhang	07.23.2014	David			



ITEM	SPECIFICATIONS
Frequency(MHz)	1400~1850 & 2200~2400
Insertion Loss(dB)	0.4 Max.
Return Loss(dB)	15.6 Min
Reject(dBc)	50 Min@DC~1200 MHz 50 Min@2025~2120 MHz 50 Min@2700~5000 MHz
Filter Flatness(dB)	±0.1
Power Rating(Watt)	10CW
Phase Matching(°)	±5 for set of 4 filters
Connector	SMA-Female
Impedance(Ω)	50 (in/out)
Operating Temperature(°C)	-50~+55
Additional Notes	-

JQL JQL Electronic Inc				
MATERIAL:		DWG NO: JFCB1400T2400SF		
SURFACE TREATMENT: PAINTED BLACK		DWG BY:	LJ.Zhang	07.23.2014
DESCRIPTION: PASSBAND FILTER		CHK'D BY:		SCALE
		APPV'D BY:		1:3.5
		Unit: mm[inch]	Tolerance: Liner: ±0.25 Anguar: ±0.5°	The First:
				A4



This document is the property of JQL Electronic Inc. It cannot be copied, duplicated, used for manufacturing purposes or communicated to third party as a whole or partly, without the written consent of JQL Electronic Inc.